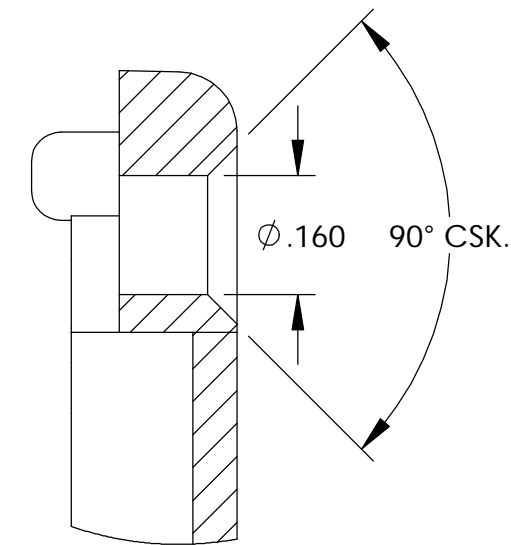


THE INFORMATION CONTAINED IN THIS DRAWING IS THE SOLE PROPERTY OF BUD INDUSTRIES INC. ANY REPRODUCTION IN PART OR WHOLE WITHOUT THE WRITTEN PERMISSION OF BUD INDUSTRIES INC. IS PROHIBITED.

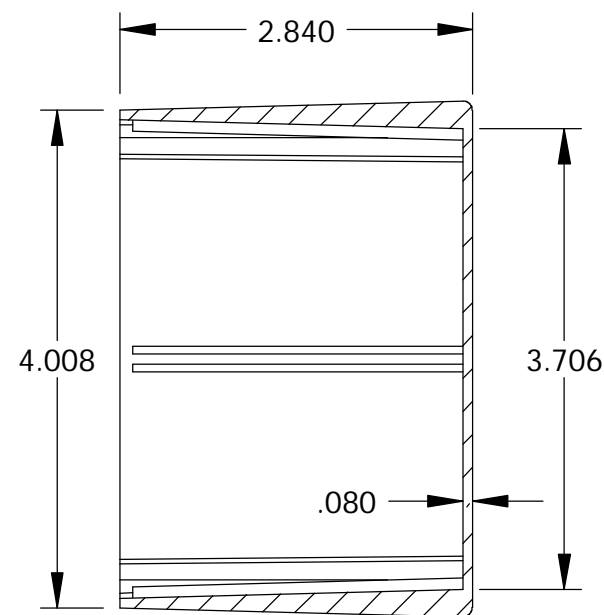
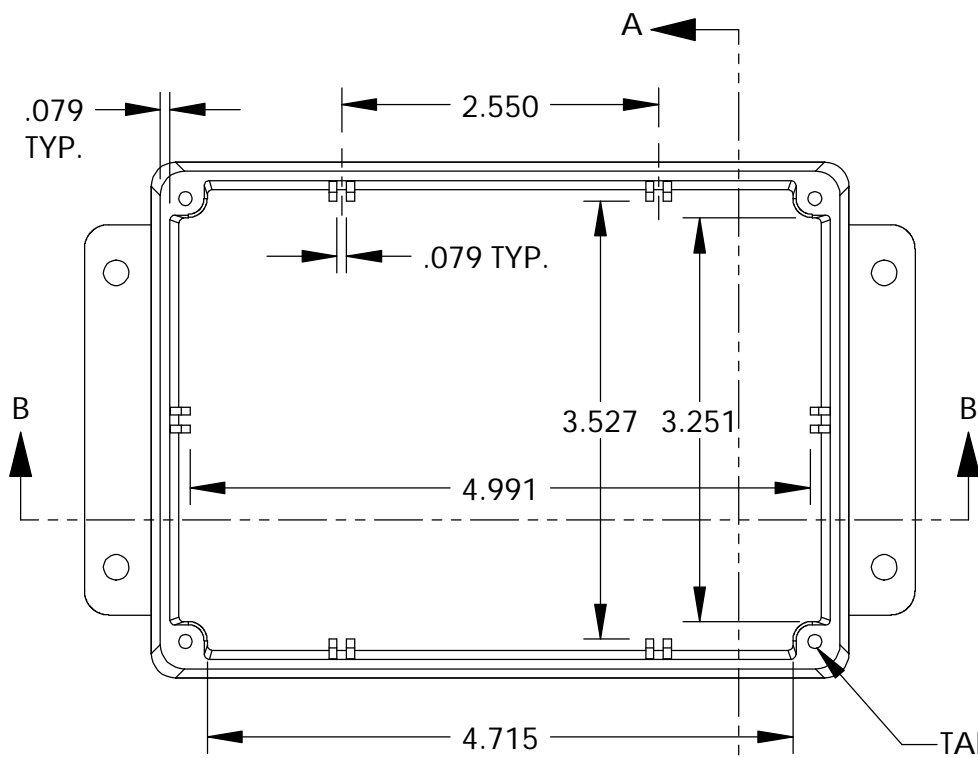
DWG. NO.	CN-6707
ISSUE	REVISIONS

MATERIAL - ALUMINUM ALLOY #ADC-12  
 FINISH - NATURAL (CONTACT BUD FACTORY FOR ALTERNATE FINISHES)  
 GASKET - RATED IP65 NEOPRENE, SELF-ADHESIVE, 3mm THICK, COLOR BLACK  
 SCREWS - STAINLESS STEEL, M3.5 x 12mm LG., CSK. HEAD, SELF-THREADING

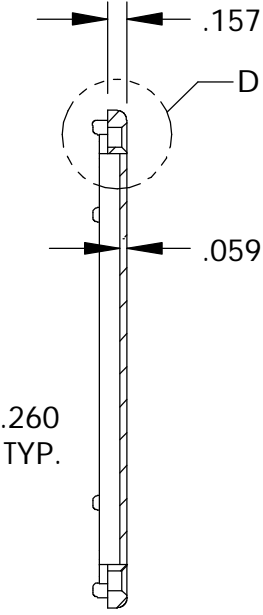
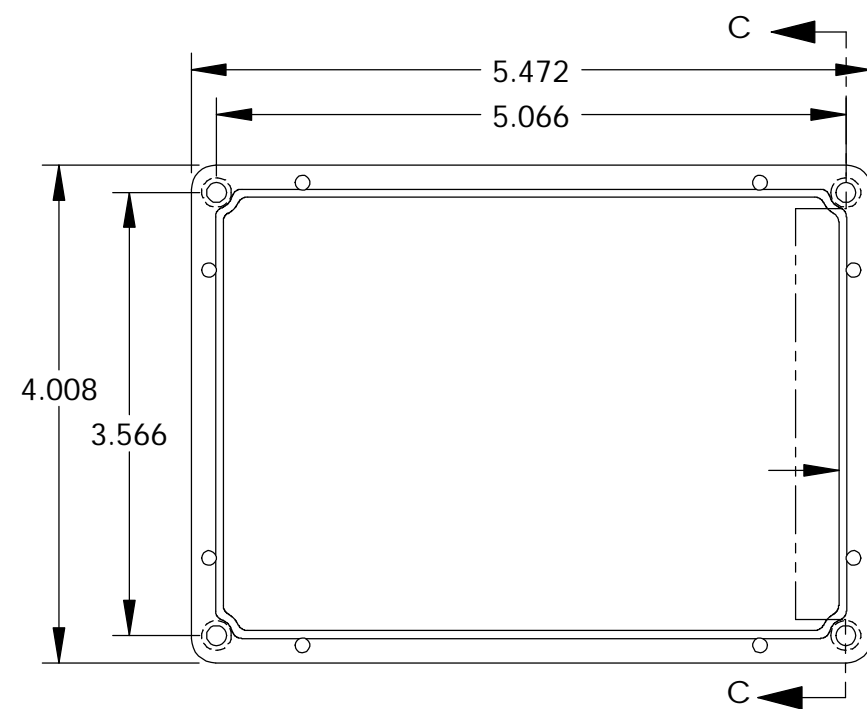
ALL HOLE DIAMETERS HAVE ±.005 TOLERANCE.  
 ALL OTHER DIMENSIONS HAVE ±.015 TOLERANCE.  
 ENCLOSURES ARE SHIPPED UNASSEMBLED WITH ALL ITEMS SHOWN.



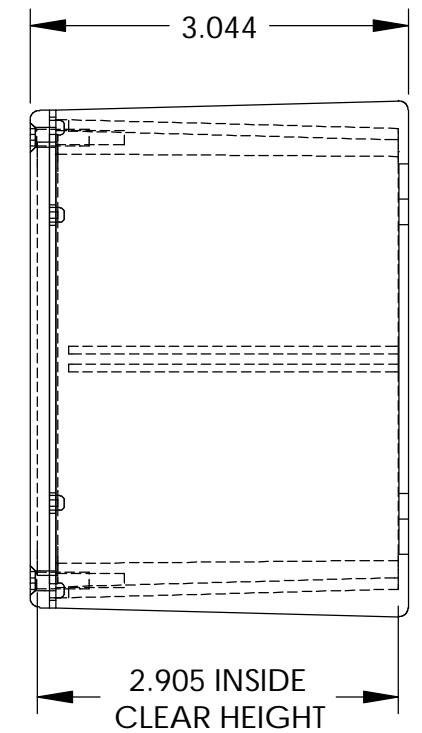
DETAIL D  
SCALE 4 : 1



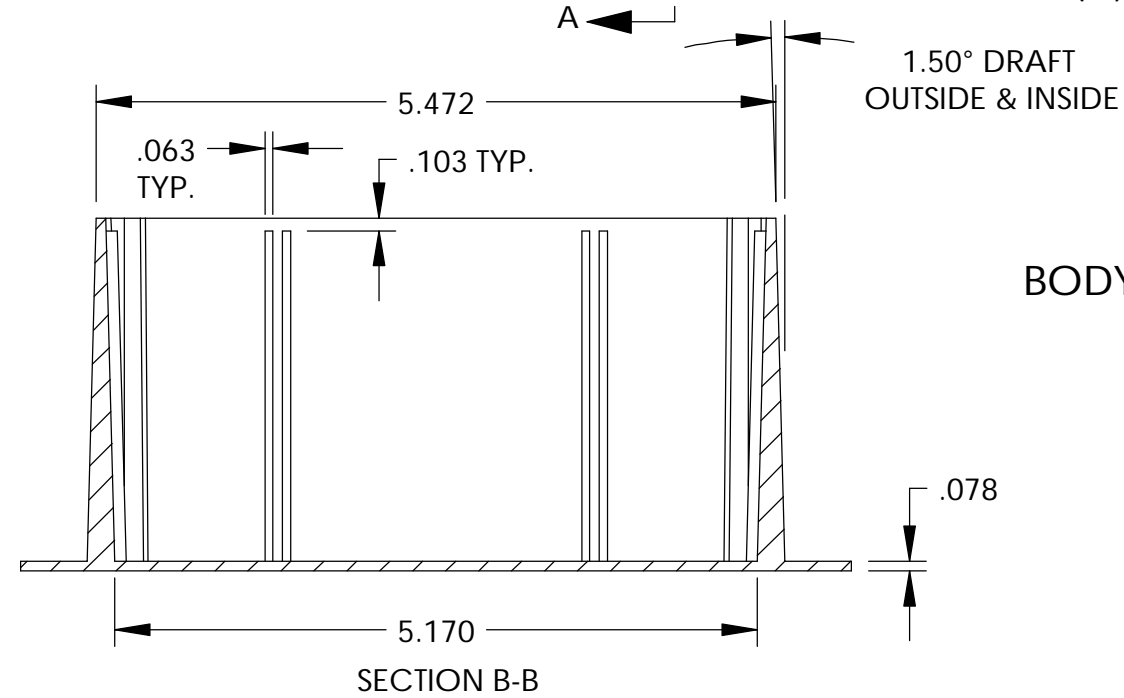
SECTION A-A



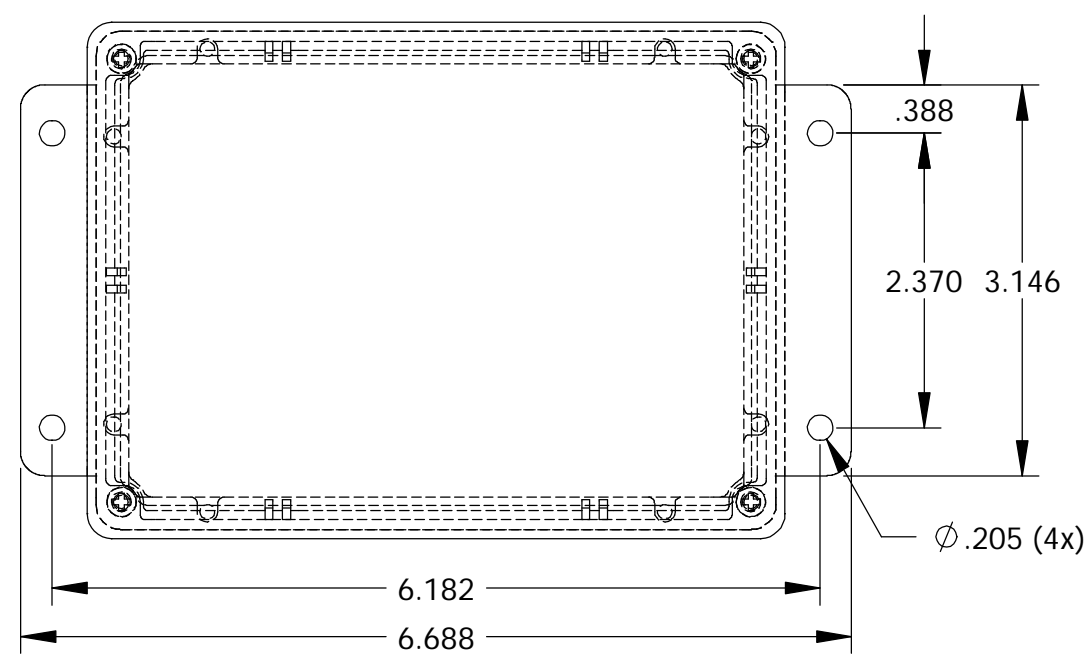
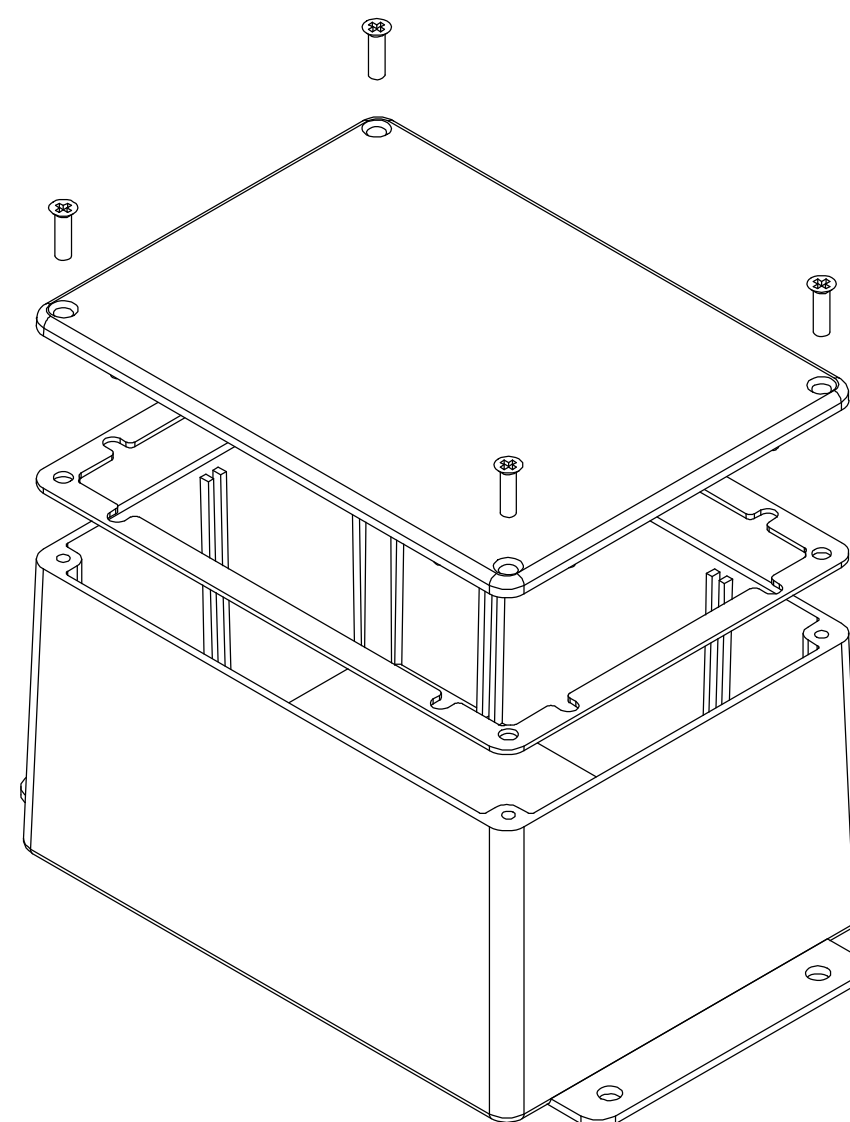
SECTION C-C



COVER



BODY



PARTS LIST		BUD INDUSTRIES INC.	
APPROVALS	DATE	DIE CAST ALUMINUM ENCLOSURE	
DRAWN	CHECKED		
DAB	4-3-06	DWG. NO. CN-6707	
AS NOTED	APPROVED	SCALE	REV.
AS NOTED			
QTY.	USED ON	DO NOT SCALE DRAWING	SHEET 1 OF 1