



No.:

Date: 26-DEC-2012

Customer :

TECHNICAL PROPOSAL

Three-phase induction motor - Squirrel cage rotor

Product line : Three-Phase: W22 IEEE-841™ Petrochem Motors - NEMA Premium® Efficiency

Catalog Number : 00109ST3QIE182T-W22

List Price : \$2,006

Notes:

Performed by:

Checked:



No.:

Date: 26-DEC-2012

DATA SHEET

Three-phase induction motor - Squirrel cage rotor

Customer :
Product line : Three-Phase: W22 IEEE-841™ Petrochem Motors - NEMA Premium® Efficiency

Frame : 182T
Output : 1 HP
Frequency : 60 Hz
Poles : 8
Full load speed : 875
Slip : 2.78 %
Voltage : 460 V
Rated current : 2.30 A
Locked rotor current : 13.8 A
Locked rotor current (I_L/I_n) : 6.0
No-load current : 1.70 A
Full load torque : 5.92 lb.ft
Locked rotor torque : 300 %
Breakdown torque : 350 %
Design : B
Insulation class : F
Temperature rise : 80 K
Locked rotor time : 22 s (hot)
Service factor : 1.25
Duty cycle : S1
Ambient temperature : -20°C - +40°C
Altitude : 1000
Degree of Protection : IP55
Approximate weight : 95 lb
Moment of inertia : 0.39914 sq.ft.lb
Noise level : 50 dB(A)

	D.E.	N.D.E.	Load	Power factor	Efficiency (%)
Bearings	6207 C3	6206 C3	100%	0.52	78.5
Regreasing interval	20000 h	20000 h	75%	0.42	77.0
Grease amount	7 g	5 g	50%	0.32	74.0

Notes:

Performed by

Checked

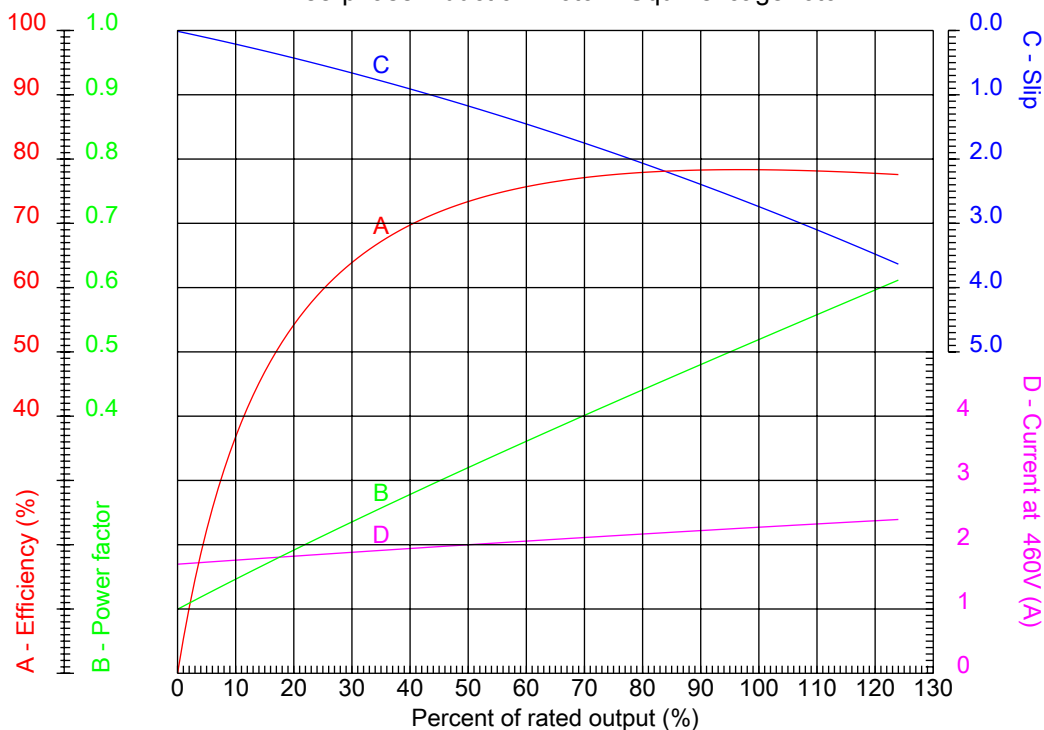


No.:

Date: 26-DEC-2012

PERFORMANCE CURVES RELATED TO RATED OUTPUT

Three-phase induction motor - Squirrel cage rotor



Customer :
Product line : Three-Phase: W22 IEEE-841™ Petrochem Motors - NEMA Premium® Efficiency

Frame : 182T	Locked rotor current (I _L /I _n) : 6.0
Output : 1 HP	Duty cycle : S1
Frequency : 60 Hz	Service factor : 1.25
Full load speed : 875	Design : B
Voltage : 460 V	Locked rotor torque : 300 %
Rated current : 2.30 A	Breakdown torque : 350 %
Insulation class : F	

Notes:

Performed by

Checked

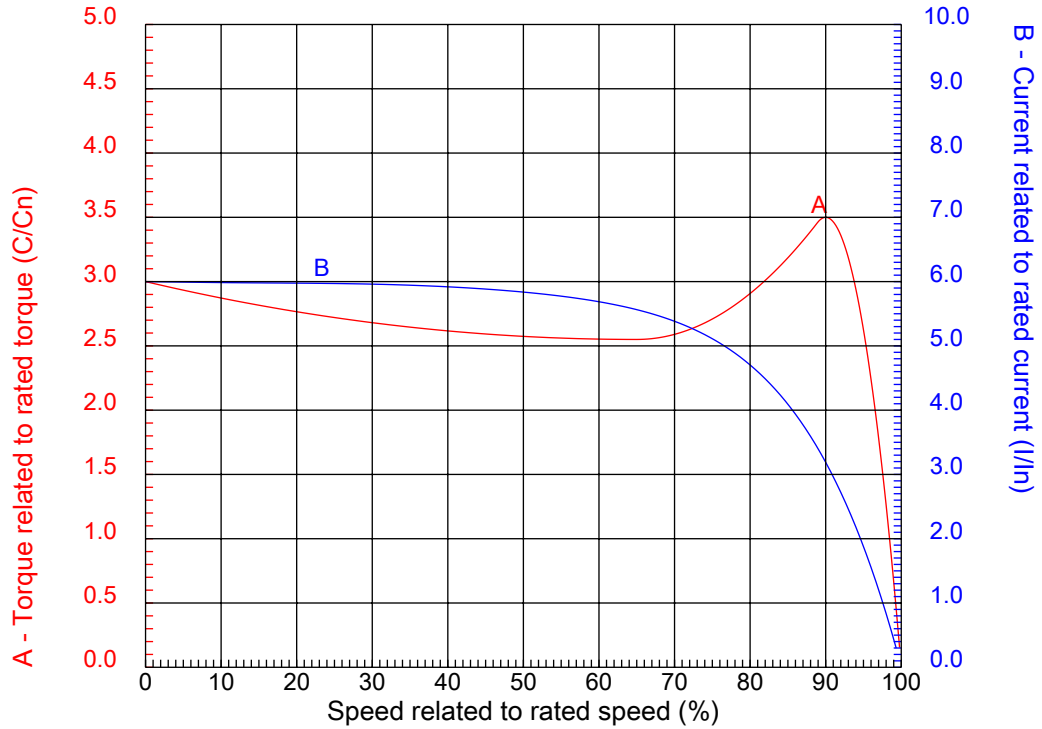


No.:

Date: 26-DEC-2012

CHARACTERISTIC CURVES RELATED TO SPEED

Three-phase induction motor - Squirrel cage rotor



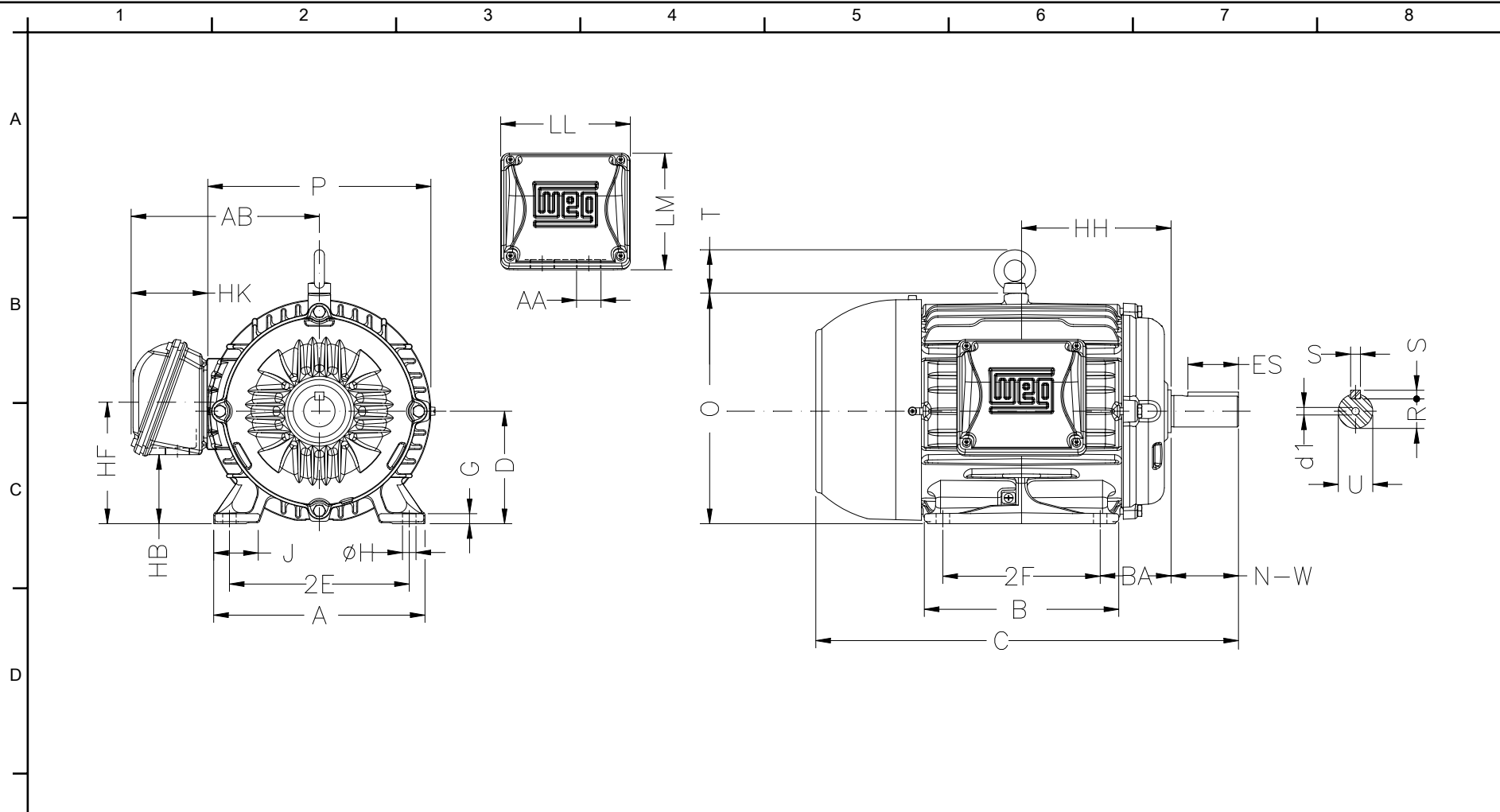
Customer :
Product line : Three-Phase: W22 IEEE-841™ Petrochem Motors - NEMA Premium® Efficiency

Frame	: 182T	Locked rotor current (I _l /I _n)	: 6.0
Output	: 1 HP	Duty cycle	: S1
Frequency	: 60 Hz	Service factor	: 1.25
Full load speed	: 875	Design	: B
Voltage	: 460 V	Locked rotor torque	: 300 %
Rated current	: 2.30 A	Breakdown torque	: 350 %
Insulation class	: F		

Notes:

Performed by

Checked



E	2E 7.500	J 1.594	A 8.661	P 8.740	AB 7.559
	2F 4.500	B 5.945	BA 2.750	U 1.125	N-W 2.750
	ES 1.969	S 0.250	R 0.984	depth 0.250	D 4.500
	G 0.394	HB 2.236	O 9.343	T 1.772	HD 11.115
	HF 4.500	HH 5.000	HK 3.110	H 0.406	C 14.860
F	LL 5.512	LM 5.236	AA NPT 1"	d1 A 4	d2 A 4
	Flange FD-254	AJ 10.000	AK 9.000	BD 11.00	BF 0.562
	BB 0.203				

Notes:

Performed by:

Checked:

Customer:

Three-Phase: W22 IEEE-841™ Petrochem Motors - NEMA Premium® Efficiency

Three-phase induction motor Frame 182T - IP55	26-DEC-2012	
--	-------------	--