



No.:

Date: 26-DEC-2012

Customer :

TECHNICAL PROPOSAL

Three-phase induction motor - Squirrel cage rotor

Product line : Three-Phase: W22 IEEE-841™ Petrochem Motors - NEMA Premium® Efficiency

Catalog Number : 00112ST3QIE145T-W22

List Price : \$1,062

Notes:

Performed by:

Checked:



No.:

Date: 26-DEC-2012

## DATA SHEET

### Three-phase induction motor - Squirrel cage rotor

Customer :  
Product line : Three-Phase: W22 IEEE-841™ Petrochem Motors - NEMA Premium® Efficiency

Frame : 145T  
Output : 1 HP  
Frequency : 60 Hz  
Poles : 6  
Full load speed : 1150  
Slip : 4.17 %  
Voltage : 460 V  
Rated current : 1.73 A  
Locked rotor current : 10.7 A  
Locked rotor current (I<sub>L</sub>/I<sub>n</sub>) : 6.2  
No-load current : 1.09 A  
Full load torque : 4.51 lb.ft  
Locked rotor torque : 300 %  
Breakdown torque : 300 %  
Design : B  
Insulation class : F  
Temperature rise : 80 K  
Locked rotor time : 28 s (hot)  
Service factor : 1.25  
Duty cycle : S1  
Ambient temperature : -20°C - +40°C  
Altitude : 1000  
Degree of Protection : IP55  
Approximate weight : 53 lb  
Moment of inertia : 0.15947 sq.ft.lb  
Noise level : 49 dB(A)

	D.E.	N.D.E.	Load	Power factor	Efficiency (%)
Bearings	6205 C3	6204 C3	100%	0.66	82.5
Regreasing interval	20000 h	20000 h	75%	0.57	82.0
Grease amount	4 g	4 g	50%	0.45	77.0

Notes:

Performed by

Checked

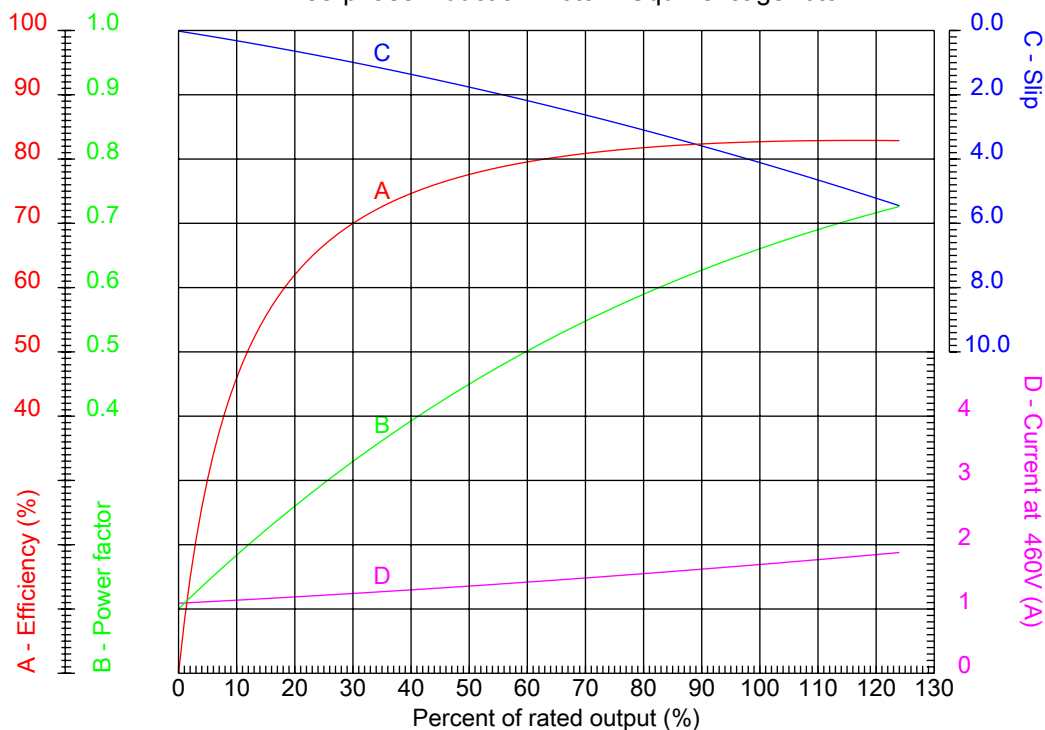


No.:

Date: 26-DEC-2012

### PERFORMANCE CURVES RELATED TO RATED OUTPUT

Three-phase induction motor - Squirrel cage rotor



Customer :  
Product line : Three-Phase: W22 IEEE-841™ Petrochem Motors - NEMA Premium® Efficiency

Frame : 145T	Locked rotor current (I <sub>L</sub> /I <sub>n</sub> ) : 6.2
Output : 1 HP	Duty cycle : S1
Frequency : 60 Hz	Service factor : 1.25
Full load speed : 1150	Design : B
Voltage : 460 V	Locked rotor torque : 300 %
Rated current : 1.73 A	Breakdown torque : 300 %
Insulation class : F	

Notes:

Performed by

Checked

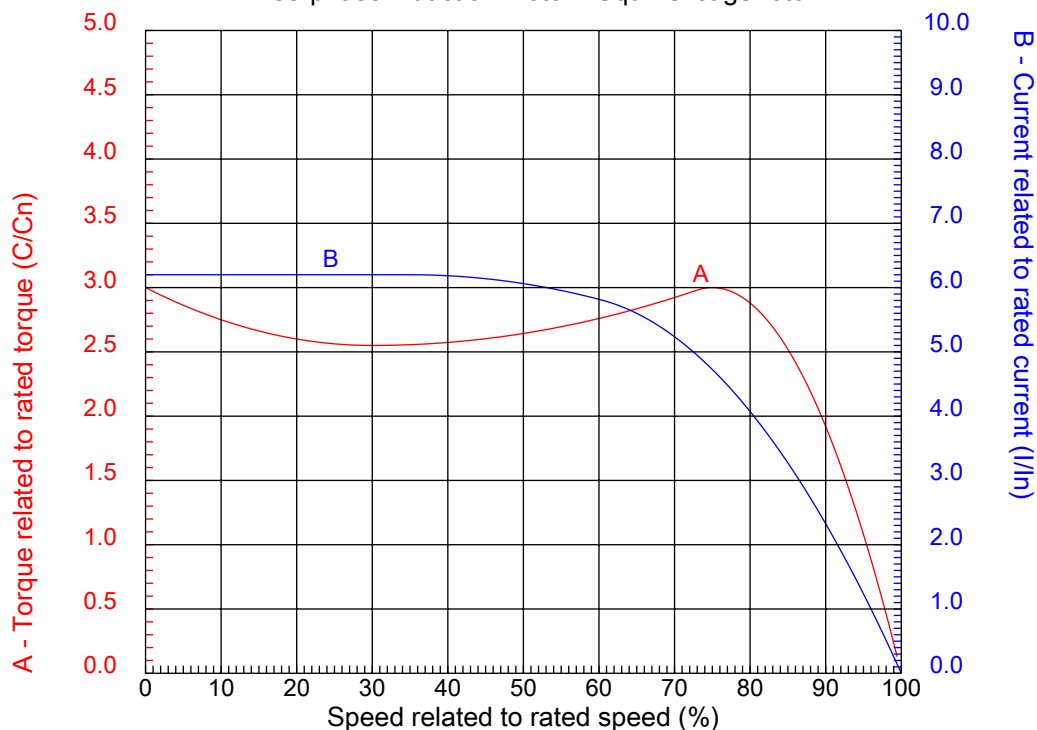


No.:

Date: 26-DEC-2012

### CHARACTERISTIC CURVES RELATED TO SPEED

Three-phase induction motor - Squirrel cage rotor



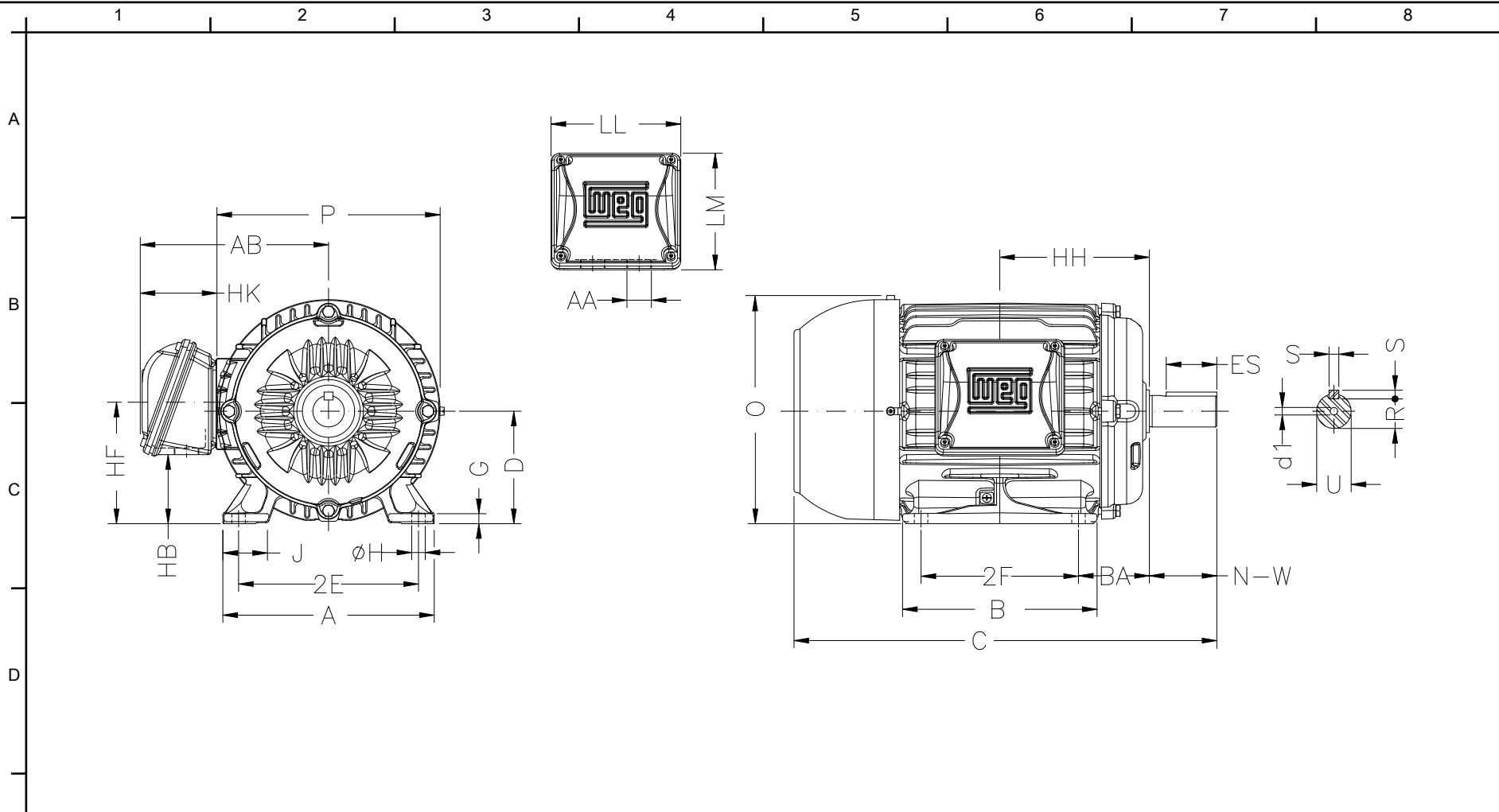
Customer :  
Product line : Three-Phase: W22 IEEE-841™ Petrochem Motors - NEMA Premium® Efficiency

Frame	: 145T	Locked rotor current (I <sub>l</sub> /I <sub>n</sub> )	: 6.2
Output	: 1 HP	Duty cycle	: S1
Frequency	: 60 Hz	Service factor	: 1.25
Full load speed	: 1150	Design	: B
Voltage	: 460 V	Locked rotor torque	: 300 %
Rated current	: 1.73 A	Breakdown torque	: 300 %
Insulation class	: F		

Notes:

Performed by

Checked



Notes:

2E 5.500	J 1.437	A 6.457	P 7.047	AB 6.181
2F 5.000	B 6.142	BA 2.250	U 0.875	N-W 2.250
ES 1.417	S 0.187	R 0.765	depth 0.187	D 3.500
G 0.354	HB 1.728	O 7.122	HF 3.500	HH 4.750
HK 2.638	H 0.344	C 13.346	LL 4.527	LM 4.094
AA NPT 3/4"	d1 A 4	d2 A 4	Flange FD-254	AJ 10.000
AK 9.000	BD 11.00	BF 0.562	BB 0.203	

Performed by:

Checked:

Customer:

Three-Phase: W22 IEEE-841™ Petrochem Motors - NEMA Premium® Efficiency

Three-phase induction motor  
Frame 145T - IP55

26-DEC-2012

