



No.:

Date: 28-DEC-2012

Customer :

TECHNICAL PROPOSAL

Single-phase induction motor - Squirrel cage rotor

Product line : Auger Drive : Single-Phase - TEFC (IP55)

Catalog Number : 00118ES1RADD56N

List Price : \$567

Notes:

Performed by:

Checked:



No.:

Date: 28-DEC-2012

DATA SHEET

Single-phase induction motor - Squirrel cage rotor

Customer :
 Product line : Auger Drive : Single-Phase - TEFC (IP55)

Frame : D56
 Output : 1 HP
 Frequency : 60 Hz
 Poles : 4
 Full load speed : 1750
 Slip : 2.78 %
 Voltage : 115/230 V
 Rated current : 14.0/7.00 A
 Locked rotor current : 91.0/45.5 A
 Locked rotor current (I_L/I_n) : 6.5
 No-load current : 11.5/5.75 A
 Full load torque : 2.96 lb.ft
 Locked rotor torque : 320 %
 Breakdown torque : 270 %
 Design : ---
 Insulation class : B
 Temperature rise : 80 K
 Locked rotor time : 6 s (hot)
 Service factor : 1.15
 Duty cycle : S1
 Ambient temperature : -20°C - +40°C
 Altitude : 1000
 Degree of Protection : IP55
 Approximate weight : 33 lb
 Moment of inertia : 0.13384 sq.ft.lb
 Noise level : ---

	D.E.	N.D.E.	Load	Power factor	Efficiency (%)
Bearings	6203 ZZ	6203 ZZ	100%	0.65	70.3
Regreasing interval	---	---	75%	0.56	67.0
Grease amount	---	---	50%	0.45	60.0

Notes:

Performed by

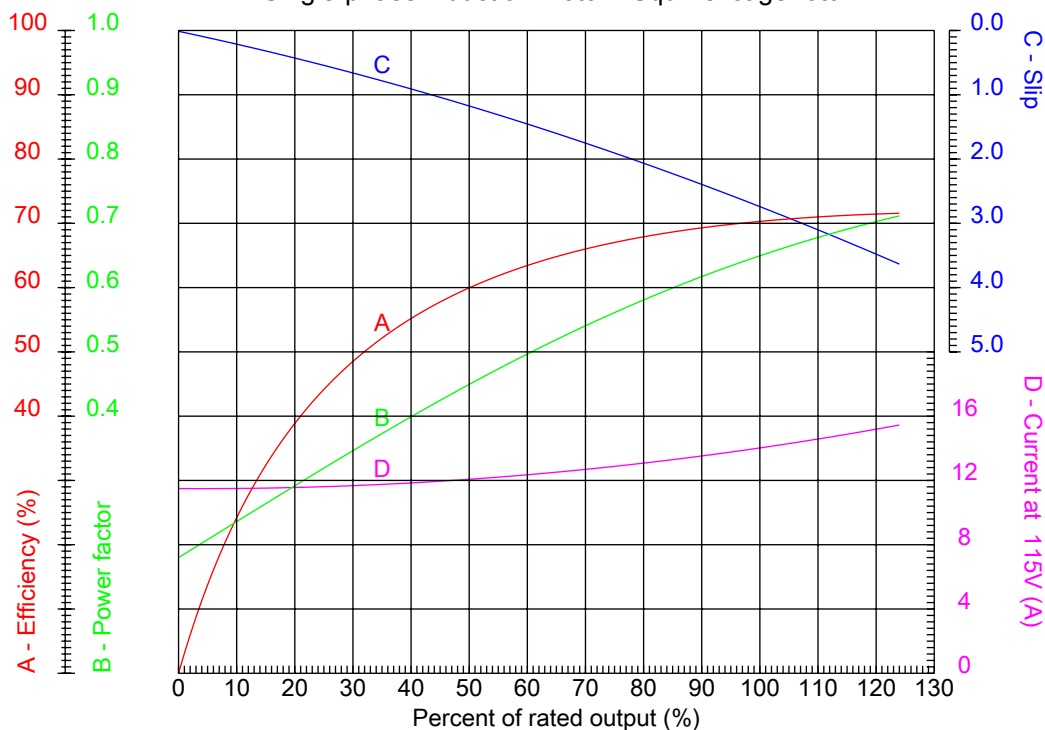
Checked



No.:

Date: 28-DEC-2012

PERFORMANCE CURVES RELATED TO RATED OUTPUT Single-phase induction motor - Squirrel cage rotor



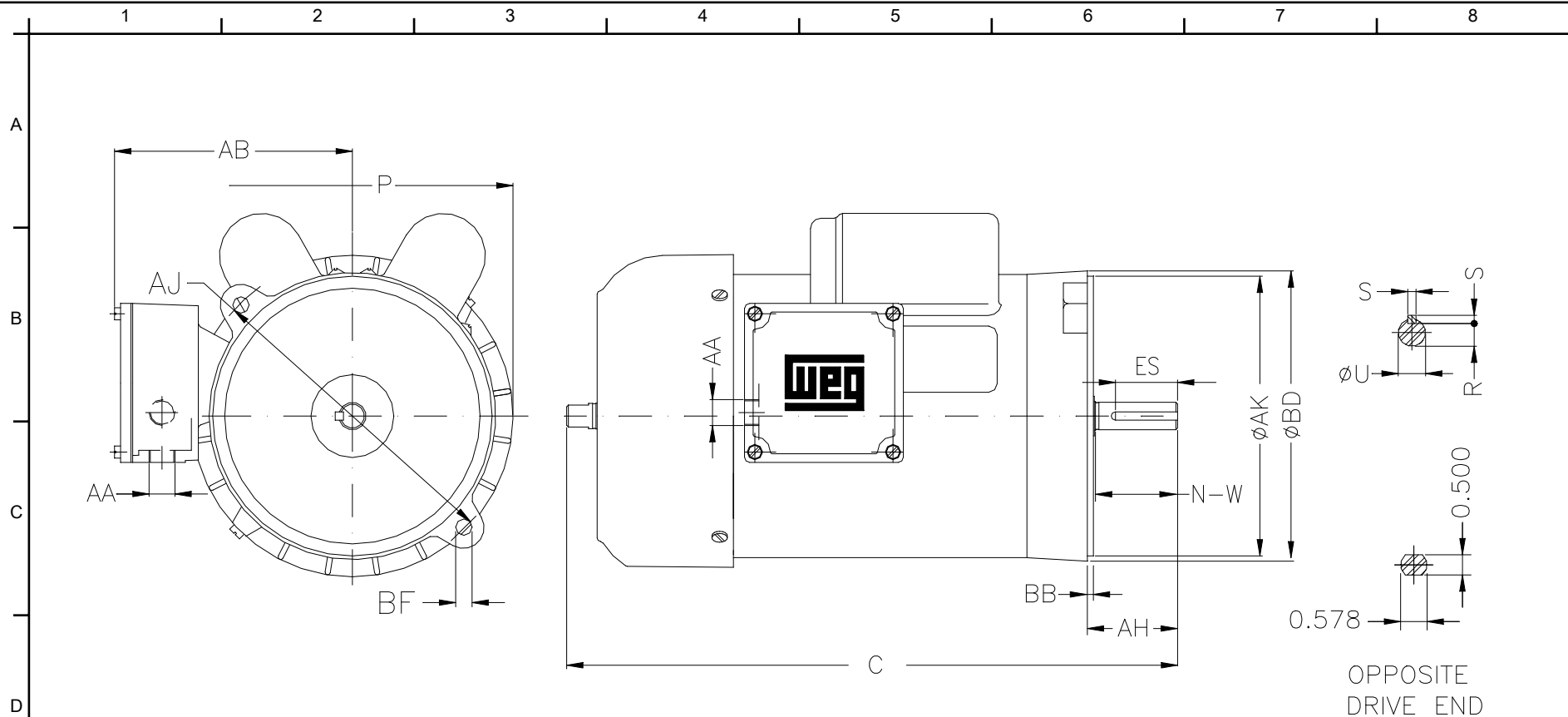
Customer :
Product line : Auger Drive : Single-Phase - TEFC (IP55)

Frame : D56	Locked rotor current (I _l /I _n) : 6.5
Output : 1 HP	Duty cycle : S1
Frequency : 60 Hz	Service factor : 1.15
Full load speed : 1750	Design : ---
Voltage : 115/230 V	Locked rotor torque : 320 %
Rated current : 14.0/7.00 A	Breakdown torque : 270 %
Insulation class : B	

Notes:

Performed by

Checked



Notes:

Performed by:

Checked:

Customer:

Auger Drive : Single-Phase - TEFC (IP55)

P	ES	S	N-W	U
7.323	1.417	0.187	1.874	0.625
R	AB	AA	Flange	AJ
0.517	5.433	2XNPT 1/2"	FC-184	7.250
AK	BD	BF	BB	AH
6.374	6.614	9.5	0.137	

Single-phase induction motor

Frame D56 - IP55

28-DEC-2012

