



No.:

Date: 28-DEC-2012

Customer :

TECHNICAL PROPOSAL

Single-phase induction motor - Squirrel cage rotor

Product line : Farm Duty Motors : TEFC (IP55) - Single-Phase

Catalog Number : 00118ES1RFD143T

List Price : \$400

Notes:

Performed by:

Checked:



No.:

Date: 28-DEC-2012

## DATA SHEET

### Single-phase induction motor - Squirrel cage rotor

Customer :  
Product line : Farm Duty Motors : TEFC (IP55) - Single-Phase

Frame : F143T  
Output : 1 HP  
Frequency : 60 Hz  
Poles : 4  
Full load speed : 1750  
Slip : 2.78 %  
Voltage : 115/230 V  
Rated current : 14.0/7.00 A  
Locked rotor current : 91.0/45.5 A  
Locked rotor current (I<sub>L</sub>/I<sub>n</sub>) : 6.5  
No-load current : 11.5/5.75 A  
Full load torque : 2.96 lb.ft  
Locked rotor torque : 320 %  
Breakdown torque : 270 %  
Design : ---  
Insulation class : B  
Temperature rise : 80 K  
Locked rotor time : 6 s (hot)  
Service factor : 1.15  
Duty cycle : S1  
Ambient temperature : -20°C - +40°C  
Altitude : 1000  
Degree of Protection : IP55  
Approximate weight : 37 lb  
Moment of inertia : 0.13384 sq.ft.lb  
Noise level : ---

	D.E.	N.D.E.	Load	Power factor	Efficiency (%)
Bearings	6205 ZZ	6203 ZZ	100%	0.65	70.3
Regreasing interval	---	---	75%	0.56	67.0
Grease amount	---	---	50%	0.45	60.0

Notes:

Performed by

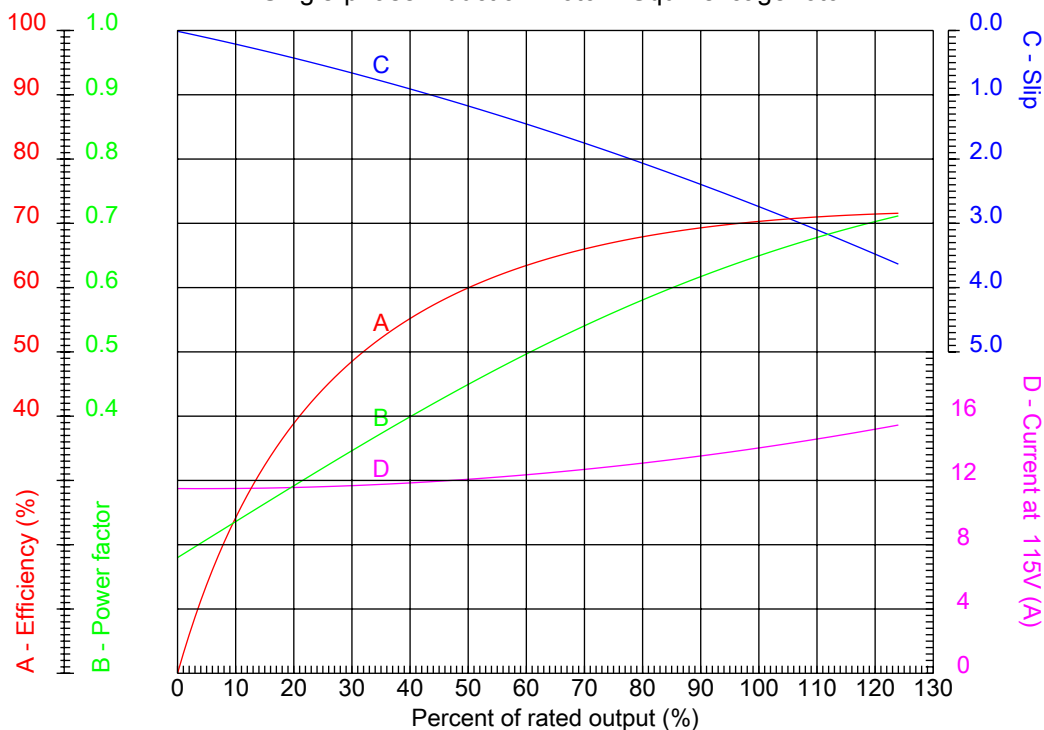
Checked



No.:

Date: 28-DEC-2012

### PERFORMANCE CURVES RELATED TO RATED OUTPUT Single-phase induction motor - Squirrel cage rotor



Customer :  
Product line : Farm Duty Motors : TEFC (IP55) - Single-Phase

Frame	: F143T	Locked rotor current (I <sub>l</sub> /I <sub>n</sub> )	: 6.5
Output	: 1 HP	Duty cycle	: S1
Frequency	: 60 Hz	Service factor	: 1.15
Full load speed	: 1750	Design	: ---
Voltage	: 115/230 V	Locked rotor torque	: 320 %
Rated current	: 14.0/7.00 A	Breakdown torque	: 270 %
Insulation class	: B		

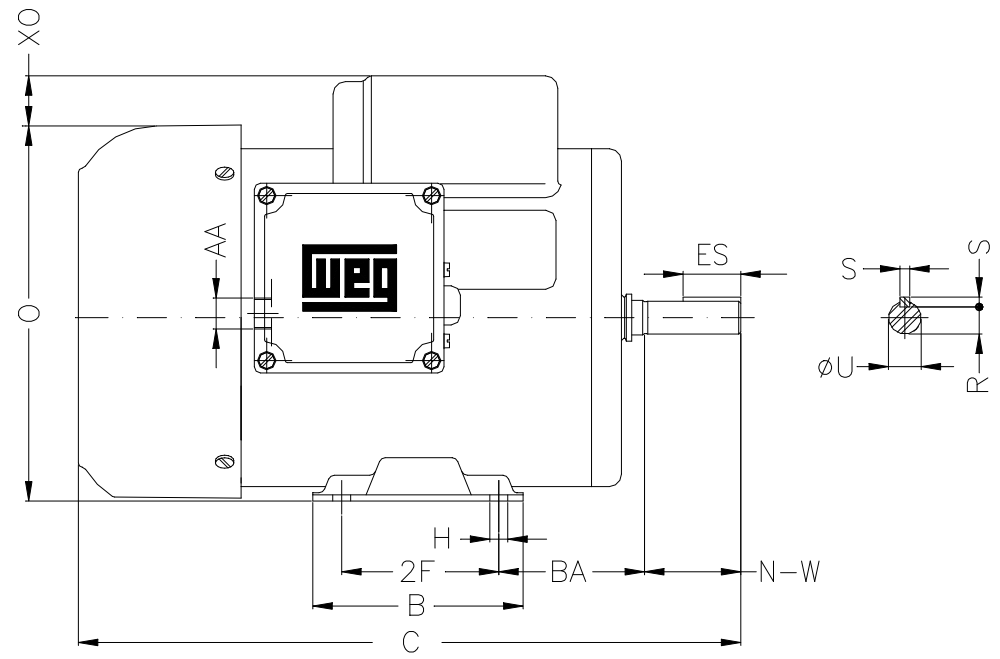
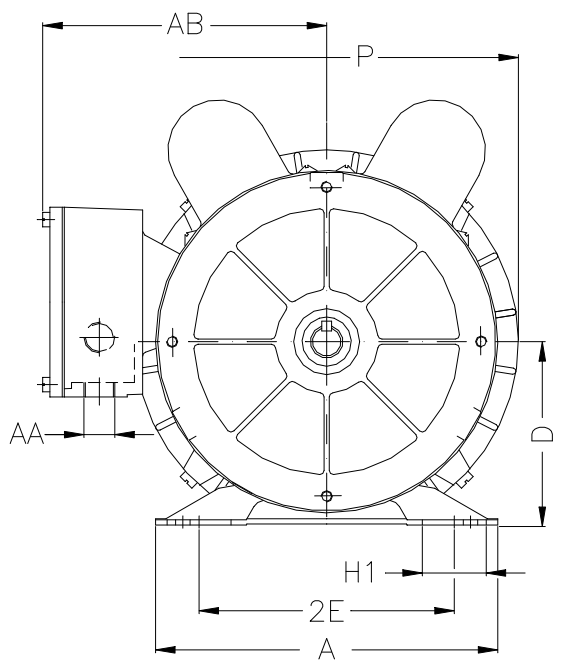
Notes:

Performed by

Checked

1 2 3 4 5 6 7 8

A  
B  
C  
D  
E  
F



Notes:

Performed by:

Checked:

Customer:

Farm Duty Motors : TEFC (IP55) - Single-Phase

2E 4.874	H 0.342	BA 2.250	A 6.535	D 3.500
J 1.220	K 4.000	O 7.165	P 7.323	

Single-phase induction motor  
Frame F143T - IP55

28-DEC-2012

