



No.:

Date: 28-DEC-2012

Customer :

TECHNICAL PROPOSAL
Single-phase induction motor - Squirrel cage rotor

Product line : Jet Pump - NEMA 56 : Single-Phase - Keyed - TEFC (IP55)

Catalog Number : 00136ES1BJPR56C

List Price : \$357

Notes:

Performed by:

Checked:



No.:

Date: 28-DEC-2012

DATA SHEET

Single-phase induction motor - Squirrel cage rotor

Customer :
Product line : Jet Pump - NEMA 56 : Single-Phase - Keyed - TEFC (IP55)

Frame : D56
Output : 1 HP
Frequency : 60 Hz
Poles : 2
Full load speed : 3500
Slip : 2.78 %
Voltage : 115/208-230 V
Rated current : 12.8/6.40-6.40 A
Locked rotor current : 89.6/44.8 A
Locked rotor current (I_L/I_n) : 7.0
No-load current : 9.00/4.50 A
Full load torque : 1.48 lb.ft
Locked rotor torque : 320 %
Breakdown torque : 280 %
Design : ---
Insulation class : B
Temperature rise : 80 K
Locked rotor time : 6 s (hot)
Service factor : 1.15 (1.00 at 208V)
Duty cycle : S1
Ambient temperature : -20°C - +40°C
Altitude : 1000
Degree of Protection : IP55
Approximate weight : 33 lb
Moment of inertia : 0.05149 sq.ft.lb
Noise level : ---

	D.E.	N.D.E.	Load	Power factor	Efficiency (%)
Bearings	6204 2RS	6202 2RS	100%	0.75	67.0
Regreasing interval	---	---	75%	0.67	63.0
Grease amount	---	---	50%	0.56	55.0

Notes:

Performed by

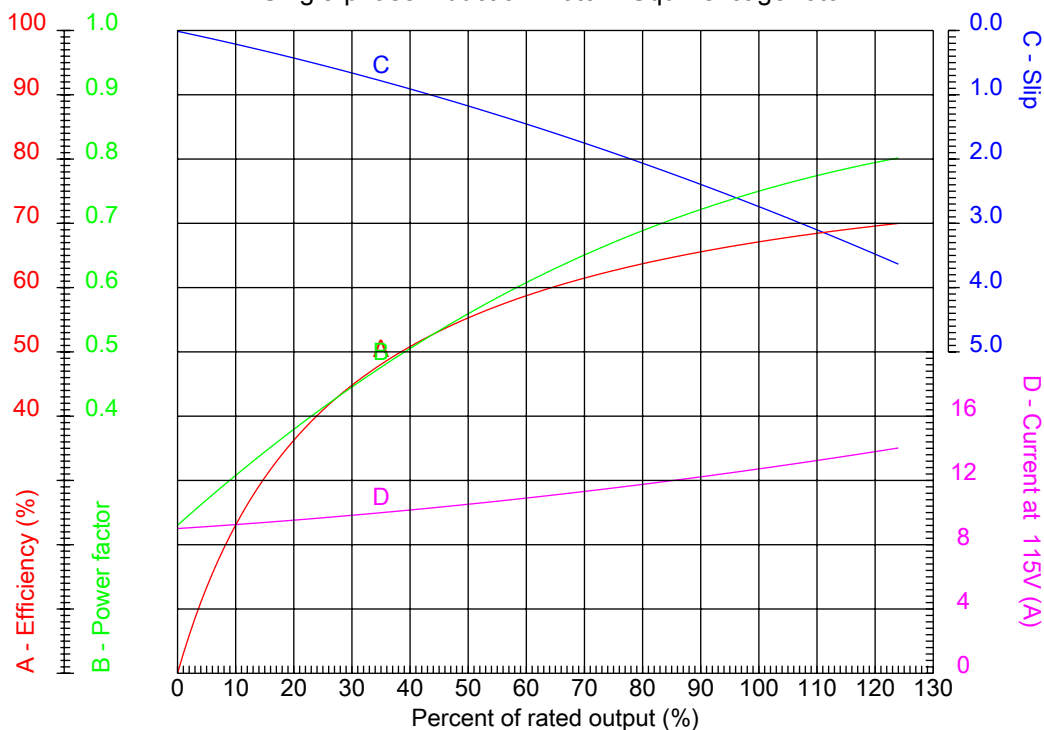
Checked



No.:

Date: 28-DEC-2012

PERFORMANCE CURVES RELATED TO RATED OUTPUT
Single-phase induction motor - Squirrel cage rotor



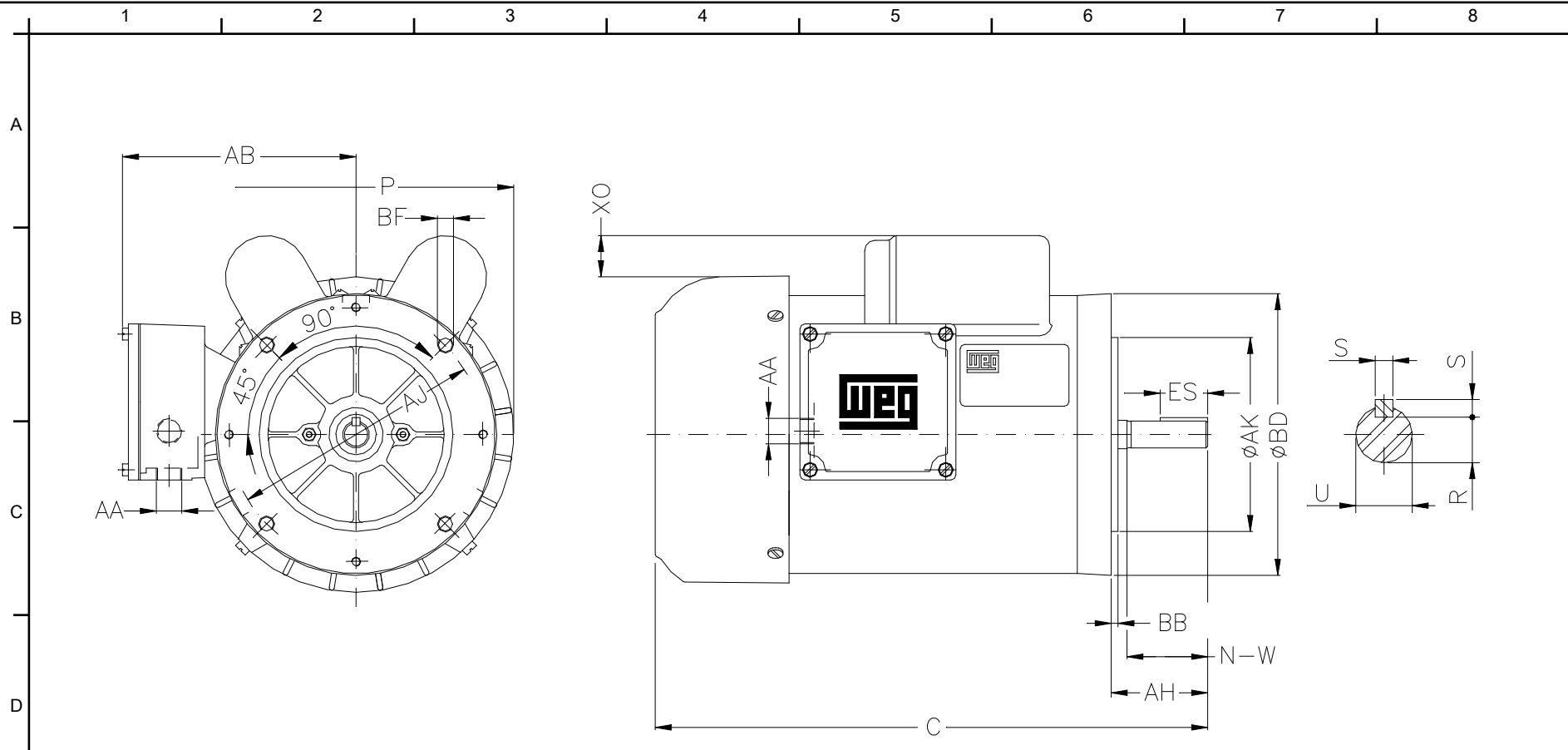
Customer :
Product line : Jet Pump - NEMA 56 : Single-Phase - Keyed - TEFC (IP55)

Frame : D56	Locked rotor current (I _l /I _n) : 7.0
Output : 1 HP	Duty cycle : S1
Frequency : 60 Hz	Service factor : 1.15 (1.00 at 208V)
Full load speed : 3500	Design : ---
Voltage : 115/208-230 V	Locked rotor torque : 320 %
Rated current : 12.8/6.40-6.40 A	Breakdown torque : 280 %
Insulation class : B	

Notes:

Performed by

Checked



Notes:

Performed by:

Checked:

Customer:

Jet Pump - NEMA 56 : Single-Phase - Keyed - TEFC (IP55)

P	AB	AA	Flange	AJ
7.323	5.433	NPT 1/2"	FC-149	5.874
AK	BD	BF	BB	BC
4.500	6.535	UNC 3/8"x16-2B	0.157	---
AH				

Single-phase induction motor
Frame D56 - IP55

28-DEC-2012

