



No.:

Date: 28-DEC-2012

Customer :

TECHNICAL PROPOSAL

Single-phase induction motor - Squirrel cage rotor

Product line : Jet Pump - NEMA 56 : Single-Phase - Threaded - TEFC (IP55)

Catalog Number : 00136ES1BJPR56J

List Price : \$386

Notes:

Performed by:

Checked:



No.:

Date: 28-DEC-2012

## DATA SHEET

### Single-phase induction motor - Squirrel cage rotor

Customer :  
Product line : Jet Pump - NEMA 56 : Single-Phase - Threaded - TEFC (IP55)

Frame : D56  
Output : 1 HP  
Frequency : 60 Hz  
Poles : 2  
Full load speed : 3500  
Slip : 2.78 %  
Voltage : 115/208-230 V  
Rated current : 12.8/6.40-6.40 A  
Locked rotor current : 89.6/44.8 A  
Locked rotor current (I<sub>L</sub>/I<sub>n</sub>) : 7.0  
No-load current : 9.00/4.50 A  
Full load torque : 1.48 lb.ft  
Locked rotor torque : 320 %  
Breakdown torque : 280 %  
Design : ---  
Insulation class : B  
Temperature rise : 80 K  
Locked rotor time : 6 s (hot)  
Service factor : 1.15 (1.00 at 208V)  
Duty cycle : S1  
Ambient temperature : -20°C - +40°C  
Altitude : 1000  
Degree of Protection : IP55  
Approximate weight : 33 lb  
Moment of inertia : 0.05149 sq.ft.lb  
Noise level : ---

	D.E.	N.D.E.	Load	Power factor	Efficiency (%)
Bearings	6204 2RS	6202 2RS	100%	0.75	67.0
Regreasing interval	---	---	75%	0.67	63.0
Grease amount	---	---	50%	0.56	55.0

Notes:

Performed by

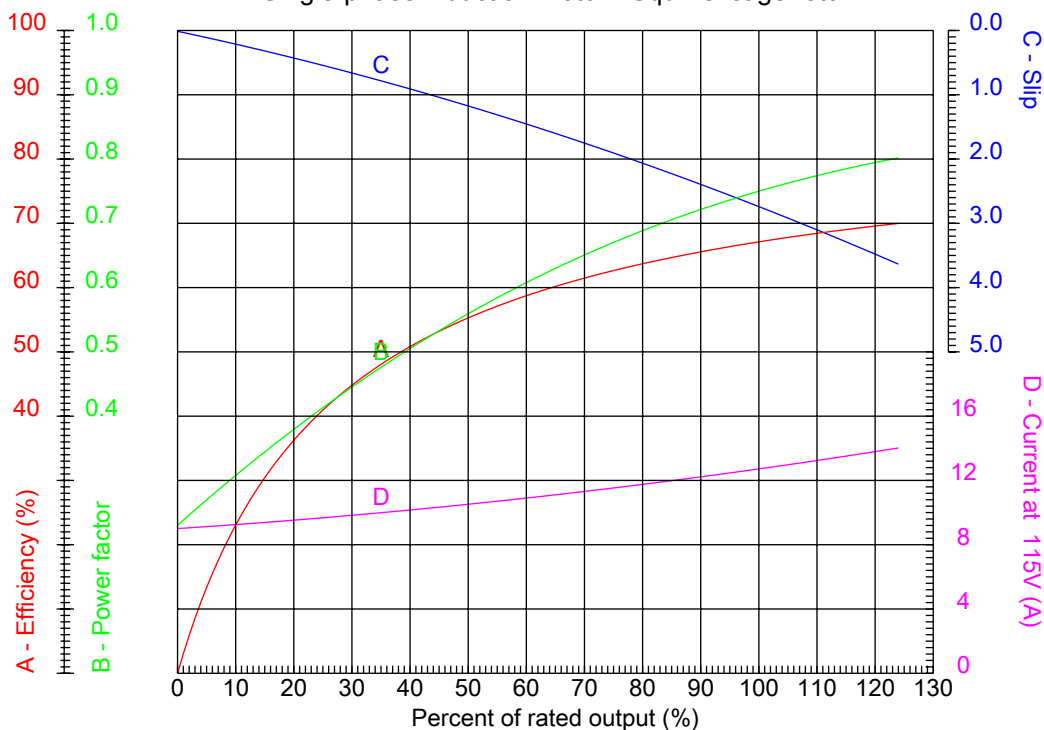
Checked



No.:

Date: 28-DEC-2012

PERFORMANCE CURVES RELATED TO RATED OUTPUT  
Single-phase induction motor - Squirrel cage rotor



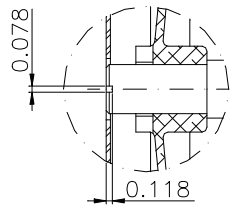
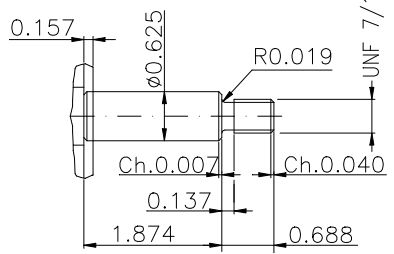
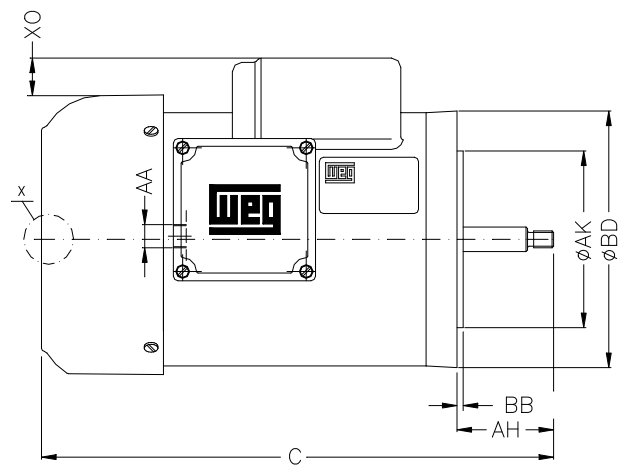
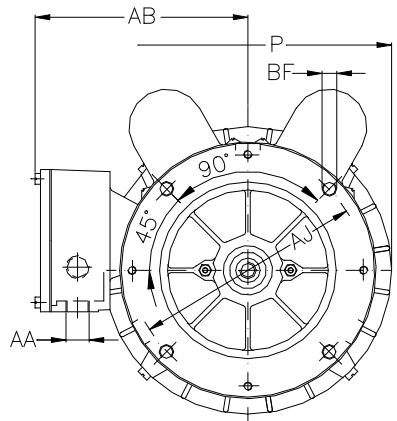
Customer :  
Product line : Jet Pump - NEMA 56 : Single-Phase - Threaded - TEFC (IP55)

Frame : D56	Locked rotor current (I <sub>l</sub> /I <sub>n</sub> ) : 7.0
Output : 1 HP	Duty cycle : S1
Frequency : 60 Hz	Service factor : 1.15 (1.00 at 208V)
Full load speed : 3500	Design : ---
Voltage : 115/208-230 V	Locked rotor torque : 320 %
Rated current : 12.8/6.40-6.40 A	Breakdown torque : 280 %
Insulation class : B	

Notes:

Performed by

Checked



THREE-PHASE, FORM J, WITH INTERNAL  
 THREAD OF 1/4"x28 UNF AT SHAFT-END,  
 FOR CLAMPING THE PUMP ROTOR.

DETAIL X

Notes:

Performed by:

Checked:

Customer:

Jet Pump - NEMA 56 : Single-Phase - Threaded - TEFC (IP55)

P 7.323	C 12.795	N-W 1.874	U 0.6250	AB 5.433
AA NPT 1/2"	Flange FC-149	AJ 5.874	AK 4.500	BD 6.535
BF UNC 3/8"x16-2B	BB 0.157	BC ---	AH 2.563	

Single-phase induction motor  
 Frame D56 - IP55

28-DEC-2012

