



No.:

Date: 28-DEC-2012

Customer :

TECHNICAL PROPOSAL

Single-phase induction motor - Squirrel cage rotor

Product line : Jet Pump - NEMA 56 : Single-Phase - Threaded - ODP (IP21)

Catalog Number : 00136OS1BJP56J

List Price : \$334

Notes:

Performed by:

Checked:



No.:

Date: 28-DEC-2012

## DATA SHEET

### Single-phase induction motor - Squirrel cage rotor

Customer :  
Product line : Jet Pump - NEMA 56 : Single-Phase - Threaded - ODP (IP21)

Frame : E56  
Output : 1 HP  
Frequency : 60 Hz  
Poles : 2  
Full load speed : 3520  
Slip : 2.22 %  
Voltage : 115/208-230 V  
Rated current : 13.6/6.80-6.80 A  
Locked rotor current : 95.2/47.6 A  
Locked rotor current (I<sub>L</sub>/I<sub>n</sub>) : 7.0  
No-load current : 9.70/4.85 A  
Full load torque : 1.47 lb.ft  
Locked rotor torque : 280 %  
Breakdown torque : 290 %  
Design : ---  
Insulation class : B  
Temperature rise : 80 K  
Locked rotor time : 6 s (hot)  
Service factor : 1.40 (1.00 at 208V)  
Duty cycle : S1  
Ambient temperature : -20°C - +40°C  
Altitude : 1000  
Degree of Protection : IP21  
Approximate weight : 35 lb  
Moment of inertia : 0.04153 sq.ft.lb  
Noise level : ---

	D.E.	N.D.E.	Load	Power factor	Efficiency (%)
Bearings	6203 2RS	6203 2RS	100%	0.71	66.3
Regreasing interval	---	---	75%	0.63	62.1
Grease amount	---	---	50%	0.53	54.5

Notes:

Performed by

Checked

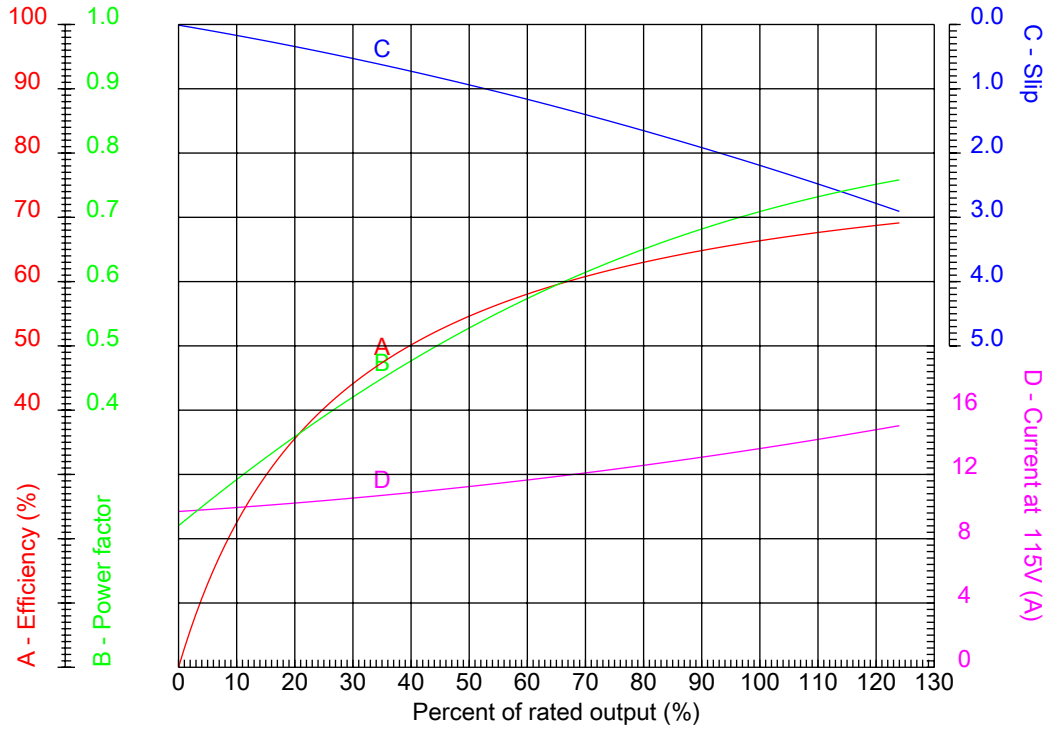


No.:

Date: 28-DEC-2012

PERFORMANCE CURVES RELATED TO RATED OUTPUT

Single-phase induction motor - Squirrel cage rotor



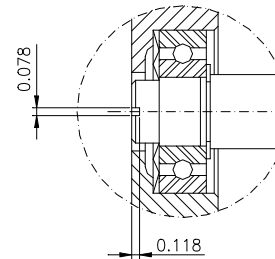
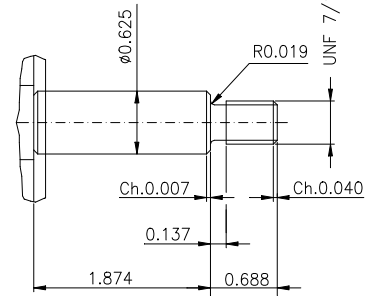
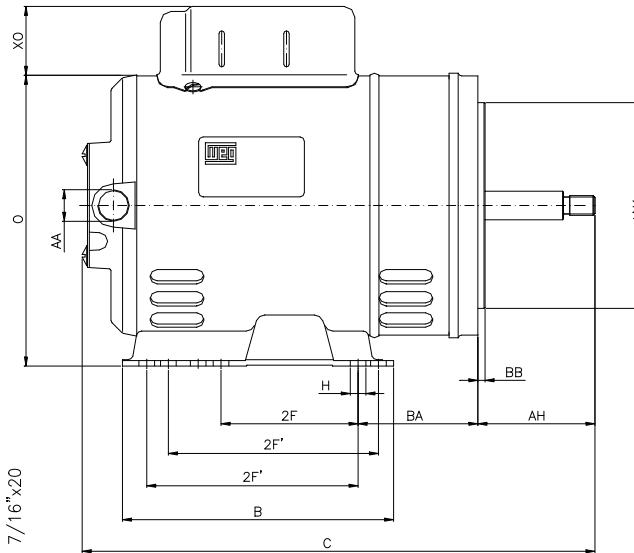
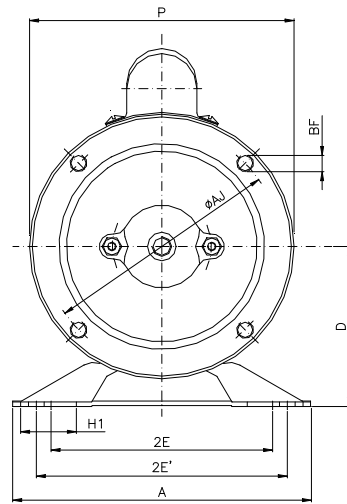
Customer :  
 Product line : Jet Pump - NEMA 56 : Single-Phase - Threaded - ODP (IP21)

Frame	: E56	Locked rotor current (I <sub>l</sub> /I <sub>n</sub> )	: 7.0
Output	: 1 HP	Duty cycle	: S1
Frequency	: 60 Hz	Service factor	: 1.40 (1.00 at 208V)
Full load speed	: 3520	Design	: ---
Voltage	: 115/208-230 V	Locked rotor torque	: 280 %
Rated current	: 13.6/6.80-6.80 A	Breakdown torque	: 290 %
Insulation class	: B		

Notes:

Performed by

Checked



DETAIL X

Notes:

Performed by:

Checked:

Customer:

2E 4.874	2F 3.000	BA 3.228	A 6.535	B 4.016
P 6.535	D 3.500	C 13.110	O 6.772	N-W 1.874
U 0.625	AA NPT 1/2"	Flange FC-149	AJ 5.874	AK 4.500
BD 6.535	BF UNC 3/8"x16	BB 0.157	BC ---	AH 2.563

Jet Pump - NEMA 56 : Single-Phase - Threaded - ODP (IP21)

Single-phase induction motor  
Frame E56 - IP21

28-DEC-2012

