



No.:

Date: 26-DEC-2012

Customer :

TECHNICAL PROPOSAL

Three-phase induction motor - Squirrel cage rotor

Product line : Three-Phase: W22 IEEE-841™ Petrochem Motors - NEMA Premium® Efficiency

Catalog Number : 00152ST3QIE182T-W22

List Price : \$1,286

Notes:

Performed by:

Checked:



No.:

Date: 26-DEC-2012

DATA SHEET

Three-phase induction motor - Squirrel cage rotor

Customer :
Product line : Three-Phase: W22 IEEE-841™ Petrochem Motors - NEMA Premium® Efficiency

Frame : 182T
Output : 1.5 HP
Frequency : 60 Hz
Poles : 6
Full load speed : 1165
Slip : 2.92 %
Voltage : 460 V
Rated current : 2.39 A
Locked rotor current : 19.1 A
Locked rotor current (I_L/I_n) : 8.0
No-load current : 1.63 A
Full load torque : 6.67 lb.ft
Locked rotor torque : 320 %
Breakdown torque : 400 %
Design : B
Insulation class : F
Temperature rise : 80 K
Locked rotor time : 16 s (hot)
Service factor : 1.25
Duty cycle : S1
Ambient temperature : -20°C - +40°C
Altitude : 1000
Degree of Protection : IP55
Approximate weight : 70 lb
Moment of inertia : 0.48789 sq.ft.lb
Noise level : 52 dB(A)

	D.E.	N.D.E.	Load	Power factor	Efficiency (%)
Bearings	6207 C3	6206 C3	100%	0.66	87.5
Regreasing interval	20000 h	20000 h	75%	0.56	86.5
Grease amount	7 g	5 g	50%	0.45	84.0

Notes:

Performed by

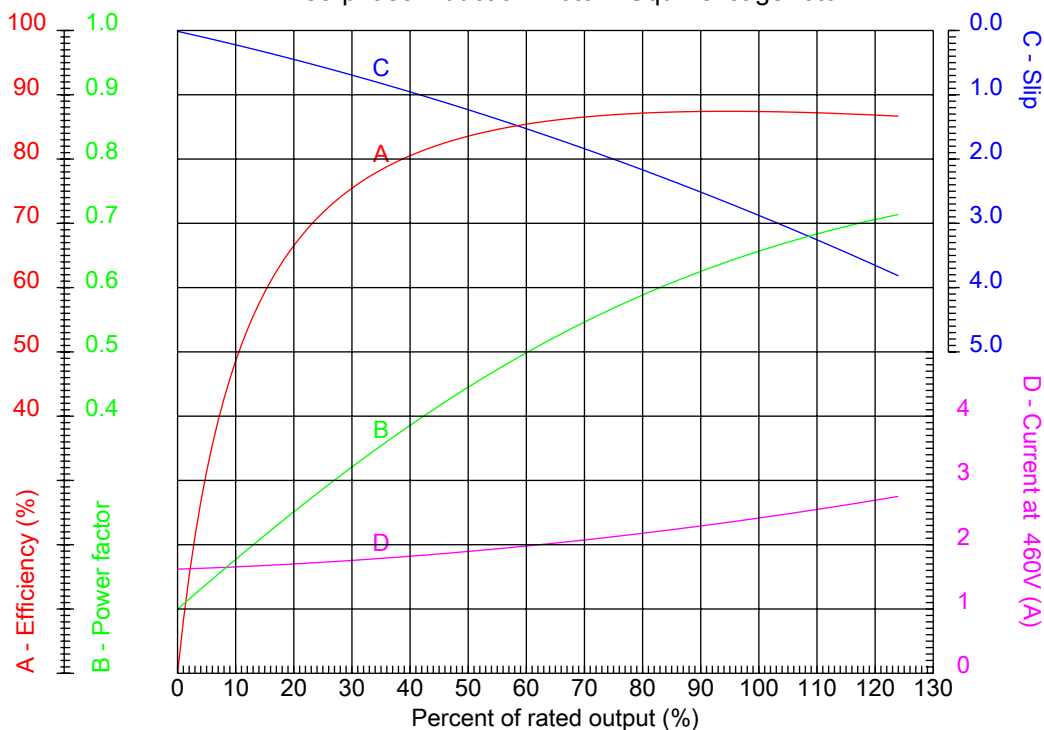
Checked



No.:

Date: 26-DEC-2012

PERFORMANCE CURVES RELATED TO RATED OUTPUT
Three-phase induction motor - Squirrel cage rotor



Customer :
Product line : Three-Phase: W22 IEEE-841™ Petrochem Motors - NEMA Premium® Efficiency

Frame	: 182T	Locked rotor current (I _L /I _n)	: 8.0
Output	: 1.5 HP	Duty cycle	: S1
Frequency	: 60 Hz	Service factor	: 1.25
Full load speed	: 1165	Design	: B
Voltage	: 460 V	Locked rotor torque	: 320 %
Rated current	: 2.39 A	Breakdown torque	: 400 %
Insulation class	: F		

Notes:

Performed by

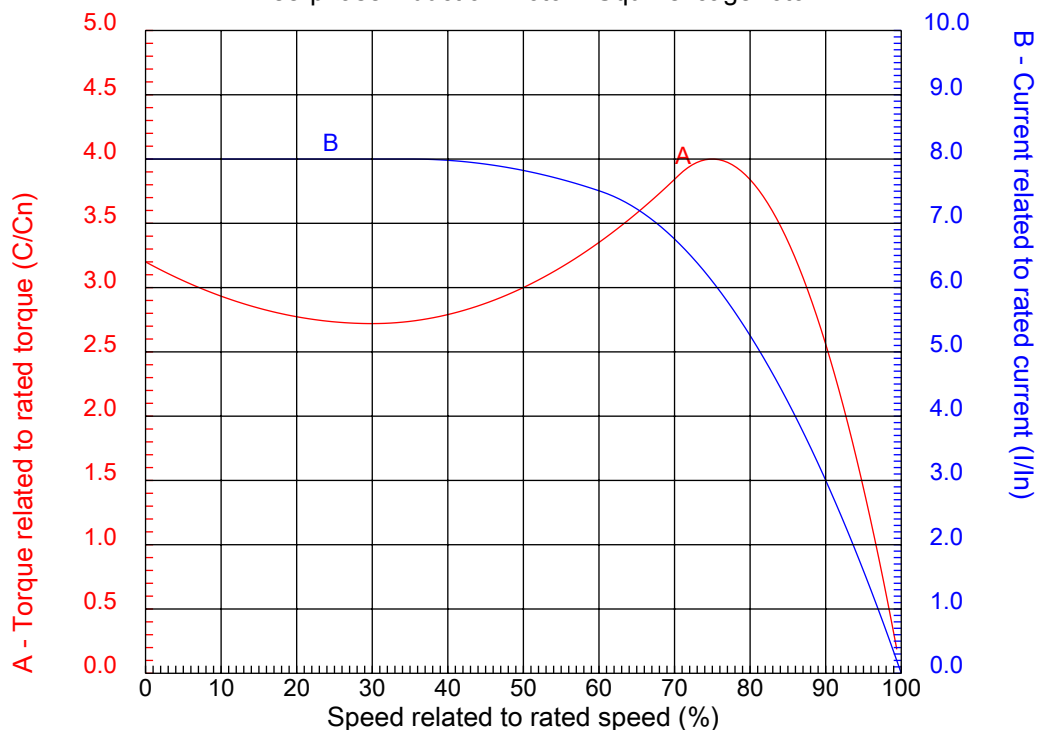
Checked



No.:

Date: 26-DEC-2012

CHARACTERISTIC CURVES RELATED TO SPEED Three-phase induction motor - Squirrel cage rotor



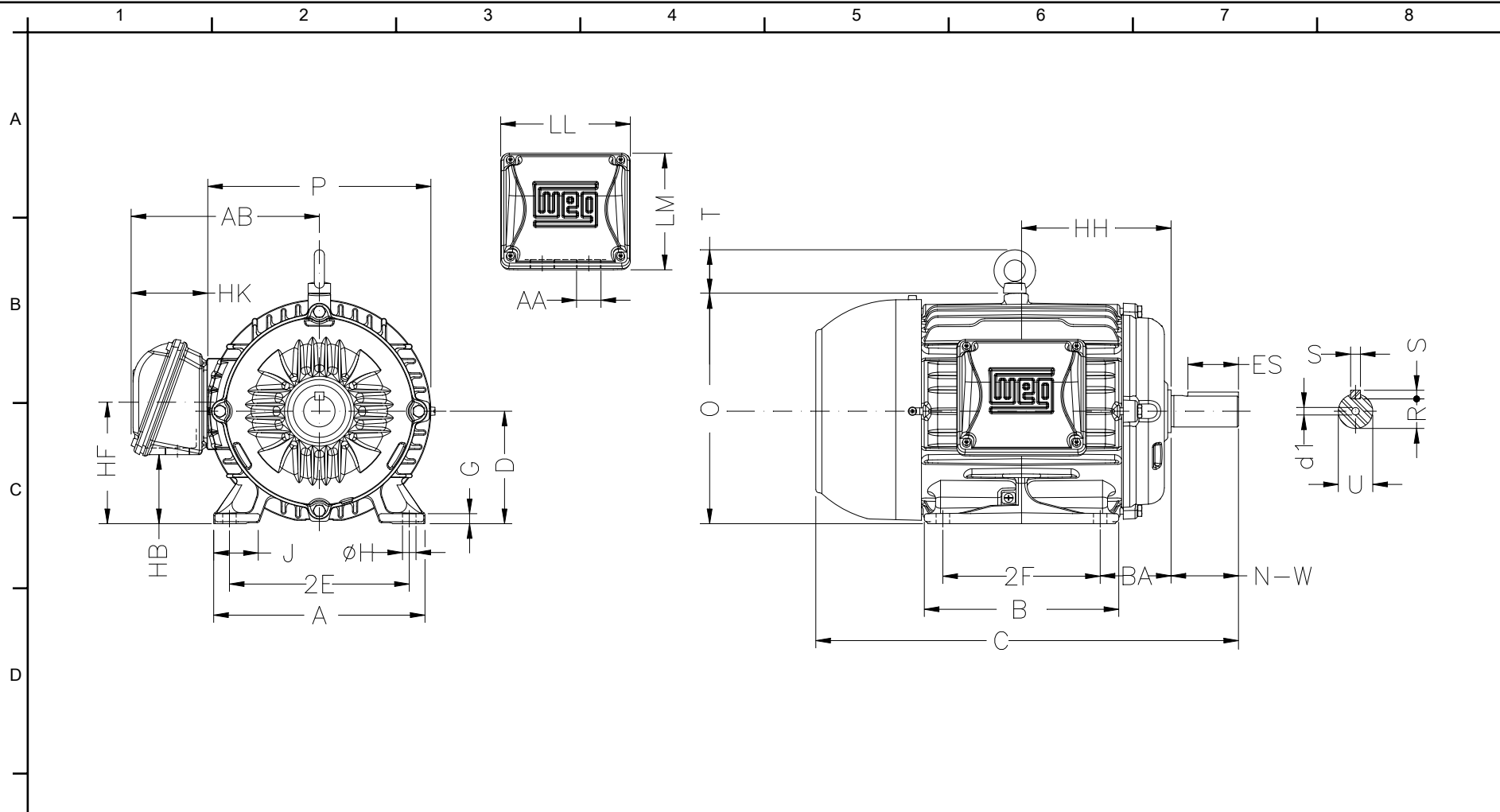
Customer :
Product line : Three-Phase: W22 IEEE-841™ Petrochem Motors - NEMA Premium® Efficiency

Frame	: 182T	Locked rotor current (I _l /I _n)	: 8.0
Output	: 1.5 HP	Duty cycle	: S1
Frequency	: 60 Hz	Service factor	: 1.25
Full load speed	: 1165	Design	: B
Voltage	: 460 V	Locked rotor torque	: 320 %
Rated current	: 2.39 A	Breakdown torque	: 400 %
Insulation class	: F		

Notes:

Performed by

Checked



E	2E	J	A	P	AB
	7.500	1.594	8.661	8.740	7.559
F	2F	B	BA	U	N-W
	4.500	5.945	2.750	1.125	2.750
G	ES	S	R	depth	D
	1.969	0.250	0.984	0.250	4.500
H	G	HB	O	T	HD
	0.394	2.236	9.343	1.772	11.115
I	HF	HH	HK	H	C
	4.500	5.000	3.110	0.406	14.860
J	LL	LM	AA	d1	d2
	5.512	5.236	NPT 1"	A 4	A 4
K	Flange	AJ	AK	BD	BF
	FD-254	10.000	9.000	11.00	0.562
L	BB				
	0.203				

Notes:

Performed by:

Checked:

Customer:

Three-Phase: W22 IEEE-841™ Petrochem Motors - NEMA Premium® Efficiency

Three-phase induction motor
Frame 182T - IP55

26-DEC-2012

