



No.:

Date: 28-DEC-2012

Customer :

TECHNICAL PROPOSAL

Single-phase induction motor - Squirrel cage rotor

Product line : Jet Pump - NEMA 56 : Single-Phase - Threaded - ODP (IP21)

Catalog Number : -

List Price : \$-

Notes:

Performed by:

Checked:



No.:

Date: 28-DEC-2012

DATA SHEET

Single-phase induction motor - Squirrel cage rotor

Customer :
Product line : Jet Pump - NEMA 56 : Single-Phase - Threaded - ODP (IP21)

Frame : E56
Output : 1.5 HP
Frequency : 60 Hz
Poles : 2
Full load speed : 3480
Slip : 3.33 %
Voltage : 115/208-230 V
Rated current : 16.4/8.50-8.20 A
Locked rotor current : 113/56.6 A
Locked rotor current (I_L/I_n) : 6.9
No-load current : 9.40/4.70 A
Full load torque : 2.23 lb.ft
Locked rotor torque : 300 %
Breakdown torque : 240 %
Design : ---
Insulation class : B
Temperature rise : 80 K
Locked rotor time : 6 s (hot)
Service factor : 1.30 (1.00 at 208V)
Duty cycle : S1
Ambient temperature : -20°C - +40°C
Altitude : 1000
Degree of Protection : IP21
Approximate weight : 36 lb
Moment of inertia : 0.04153 sq.ft.lb
Noise level : ---

	D.E.	N.D.E.	Load	Power factor	Efficiency (%)
Bearings	6203 2RS	6203 2RS	100%	0.80	73.2
Regreasing interval	---	---	75%	0.72	72.6
Grease amount	---	---	50%	0.62	67.4

Notes:

Performed by

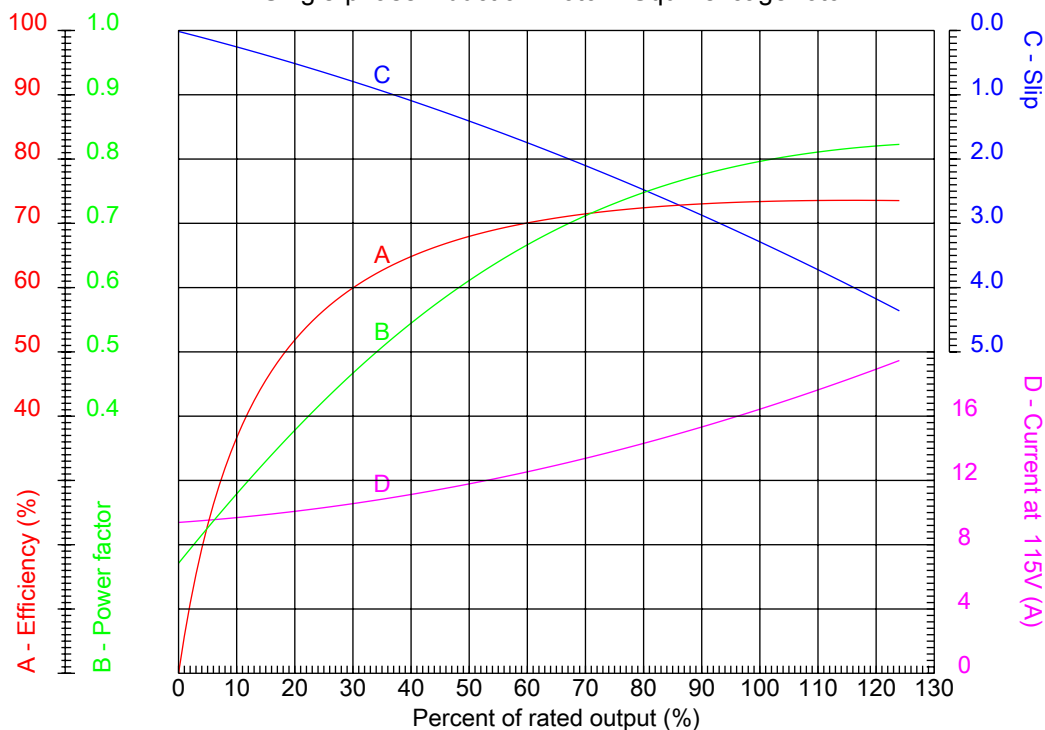
Checked



No.:

Date: 28-DEC-2012

PERFORMANCE CURVES RELATED TO RATED OUTPUT Single-phase induction motor - Squirrel cage rotor



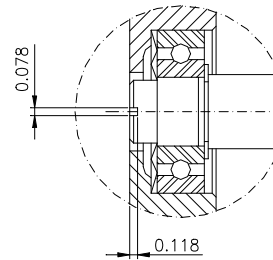
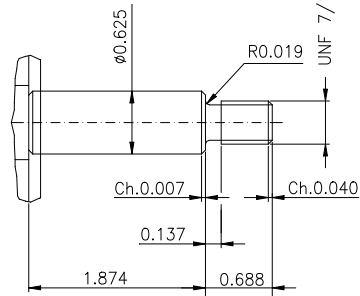
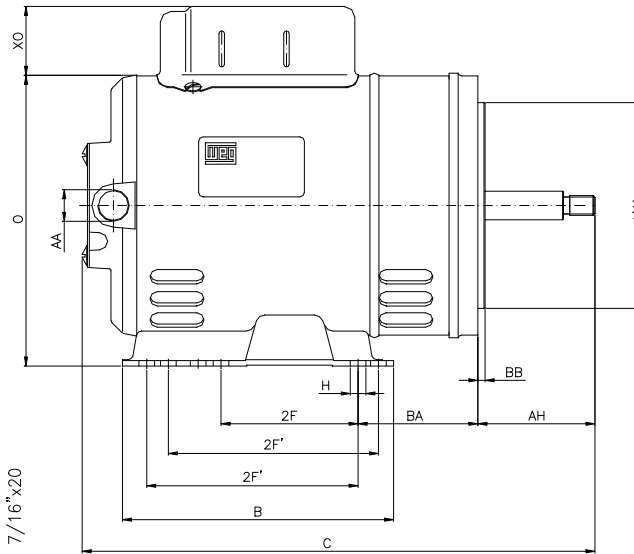
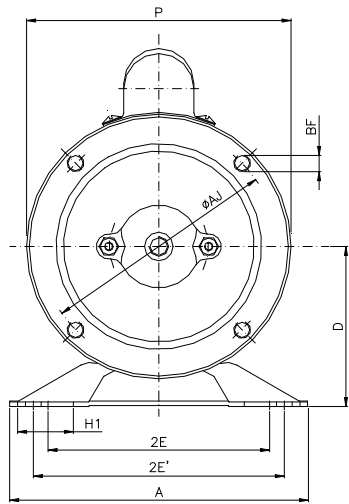
Customer :
Product line : Jet Pump - NEMA 56 : Single-Phase - Threaded - ODP (IP21)

Frame : E56	Locked rotor current (I _l /I _n) : 6.9
Output : 1.5 HP	Duty cycle : S1
Frequency : 60 Hz	Service factor : 1.30 (1.00 at 208V)
Full load speed : 3480	Design : ---
Voltage : 115/208-230 V	Locked rotor torque : 300 %
Rated current : 16.4/8.50-8.20 A	Breakdown torque : 240 %
Insulation class : B	

Notes:

Performed by

Checked



DETAIL X

Notes:

Performed by:

Checked:

Customer:

Jet Pump - NEMA 56 : Single-Phase - Threaded - ODP (IP21)

P	C	N-W	U	AA
6.535	13.110	1.874	0.625	NPT 1/2"
Flange	AJ	AK	BD	BF
FC-149	5.874	4.500	6.535	UNC 3/8"x16
BB	BC	AH		
0.157	---	2.563		

Single-phase induction motor
Frame E56 - IP21

28-DEC-2012

