



No.:

Date: 28-DEC-2012

Customer :

TECHNICAL PROPOSAL

Single-phase induction motor - Squirrel cage rotor

Product line : Auger Drive : Single-Phase - TEFC (IP55)

Catalog Number : 00158ES1RADF56N

List Price : \$953

Notes:

Performed by:

Checked:



No.:

Date: 28-DEC-2012

## DATA SHEET

### Single-phase induction motor - Squirrel cage rotor

Customer :  
Product line : Auger Drive : Single-Phase - TEFC (IP55)

Frame : F56N  
Output : 1.5 HP  
Frequency : 60 Hz  
Poles : 4  
Full load speed : 1750  
Slip : 2.78 %  
Voltage : 115/230 V  
Rated current : 17.4/8.70 A  
Locked rotor current : 113/56.6 A  
Locked rotor current (I<sub>L</sub>/I<sub>n</sub>) : 6.5  
No-load current : 11.8/5.90 A  
Full load torque : 4.44 lb.ft  
Locked rotor torque : 280 %  
Breakdown torque : 260 %  
Design : ---  
Insulation class : B  
Temperature rise : 80 K  
Locked rotor time : 6 s (hot)  
Service factor : 1.15  
Duty cycle : S1  
Ambient temperature : -20°C - +40°C  
Altitude : 1000  
Degree of Protection : IP55  
Approximate weight : 33 lb  
Moment of inertia : 0.19554 sq.ft.lb  
Noise level : ---

	D.E.	N.D.E.	Load	Power factor	Efficiency (%)
Bearings	6203 ZZ	6203 ZZ	100%	0.72	76.5
Regreasing interval	---	---	75%	0.64	75.0
Grease amount	---	---	50%	0.52	70.0

Notes:

Performed by

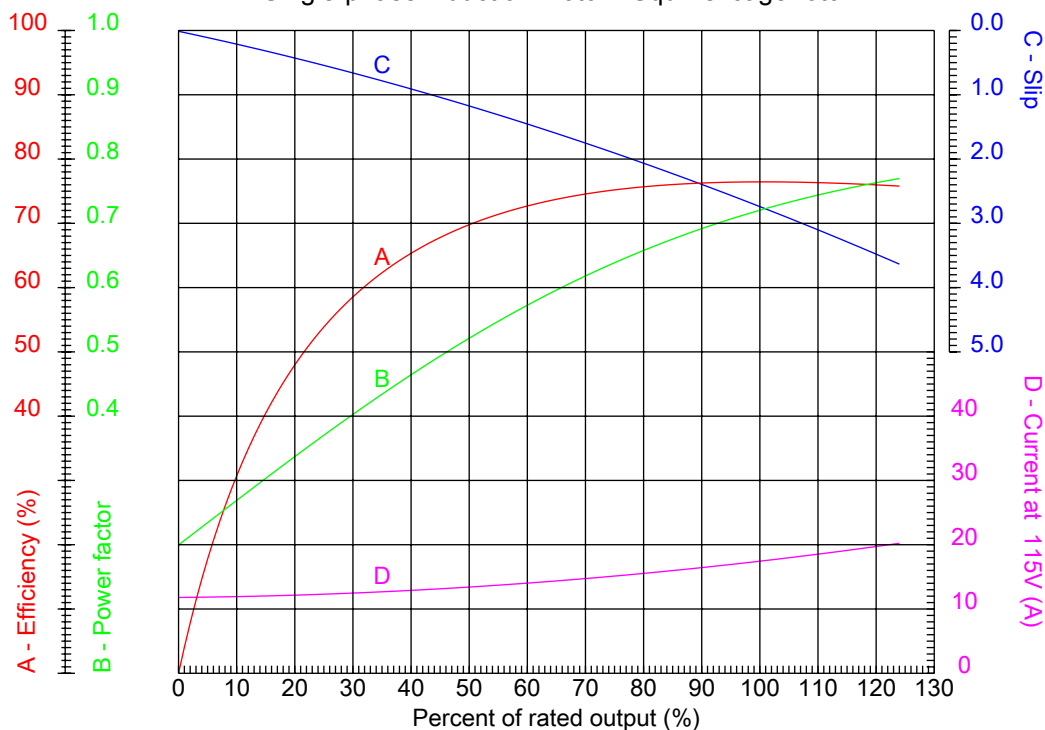
Checked



No.:

Date: 28-DEC-2012

PERFORMANCE CURVES RELATED TO RATED OUTPUT  
Single-phase induction motor - Squirrel cage rotor



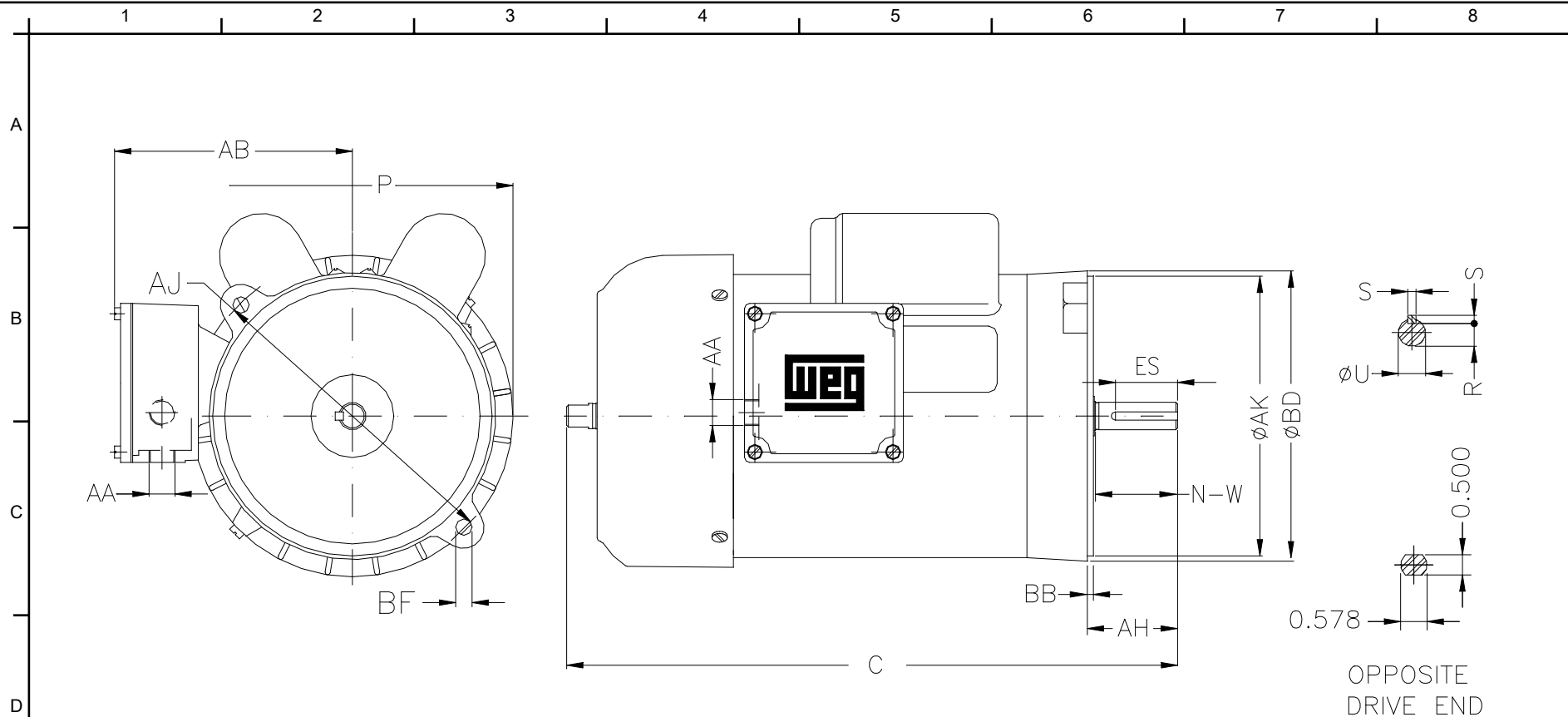
Customer :  
Product line : Auger Drive : Single-Phase - TEFC (IP55)

Frame	: F56N	Locked rotor current (I <sub>l</sub> /I <sub>n</sub> )	: 6.5
Output	: 1.5 HP	Duty cycle	: S1
Frequency	: 60 Hz	Service factor	: 1.15
Full load speed	: 1750	Design	: ---
Voltage	: 115/230 V	Locked rotor torque	: 280 %
Rated current	: 17.4/8.70 A	Breakdown torque	: 260 %
Insulation class	: B		

Notes:

Performed by

Checked



Notes:

Performed by:

Checked:

Customer:

Auger Drive : Single-Phase - TEFC (IP55)

P	ES	S	N-W	U
7.323	1.417	0.187	1.874	0.625
R	AB	AA	Flange	AJ
0.517	5.433	2XNPT 1/2"	FC-184	7.250
AK	BD	BF	BB	AH
6.374	6.614	9.5	0.137	

Single-phase induction motor  
Frame F56N - IP55

28-DEC-2012

