



No.:

Date: 28-DEC-2012

Customer :

TECHNICAL PROPOSAL

Single-phase induction motor - Squirrel cage rotor

Product line : Farm Duty Motors : TEFC (IP55) - Single-Phase

Catalog Number : 00158ES1RFD145T

List Price : \$504

Notes:

Performed by:

Checked:



No.:

Date: 28-DEC-2012

DATA SHEET

Single-phase induction motor - Squirrel cage rotor

Customer :
Product line : Farm Duty Motors : TEFC (IP55) - Single-Phase

Frame : G145T
Output : 1.5 HP
Frequency : 60 Hz
Poles : 4
Full load speed : 1750
Slip : 2.78 %
Voltage : 115/230 V
Rated current : 17.4/8.70 A
Locked rotor current : 113/56.6 A
Locked rotor current (I_L/I_n) : 6.5
No-load current : 11.8/5.90 A
Full load torque : 4.44 lb.ft
Locked rotor torque : 280 %
Breakdown torque : 260 %
Design : ---
Insulation class : B
Temperature rise : 80 K
Locked rotor time : 6 s (hot)
Service factor : 1.15
Duty cycle : S1
Ambient temperature : -20°C - +40°C
Altitude : 1000
Degree of Protection : IP55
Approximate weight : 50 lb
Moment of inertia : 0.19554 sq.ft.lb
Noise level : ---

	D.E.	N.D.E.	Load	Power factor	Efficiency (%)
Bearings	6205 ZZ	6203 ZZ	100%	0.72	76.5
Regreasing interval	---	---	75%	0.64	75.0
Grease amount	---	---	50%	0.52	70.0

Notes:

Performed by

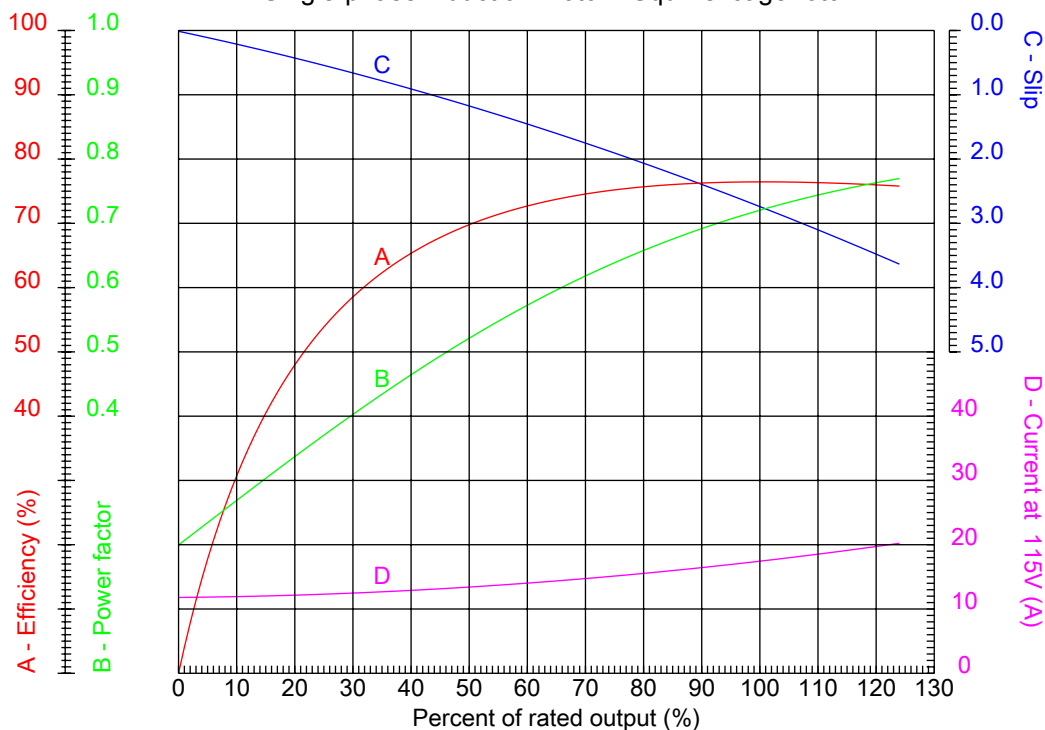
Checked



No.:

Date: 28-DEC-2012

PERFORMANCE CURVES RELATED TO RATED OUTPUT Single-phase induction motor - Squirrel cage rotor



Customer :
Product line : Farm Duty Motors : TEFC (IP55) - Single-Phase

Frame	: G145T	Locked rotor current (I _l /I _n)	: 6.5
Output	: 1.5 HP	Duty cycle	: S1
Frequency	: 60 Hz	Service factor	: 1.15
Full load speed	: 1750	Design	: ---
Voltage	: 115/230 V	Locked rotor torque	: 280 %
Rated current	: 17.4/8.70 A	Breakdown torque	: 260 %
Insulation class	: B		

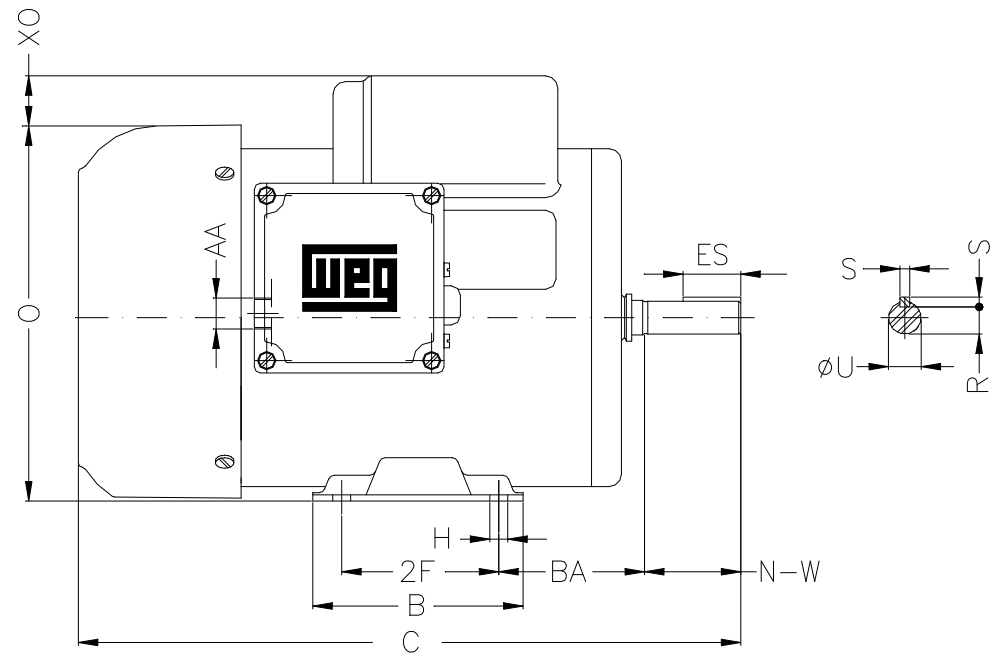
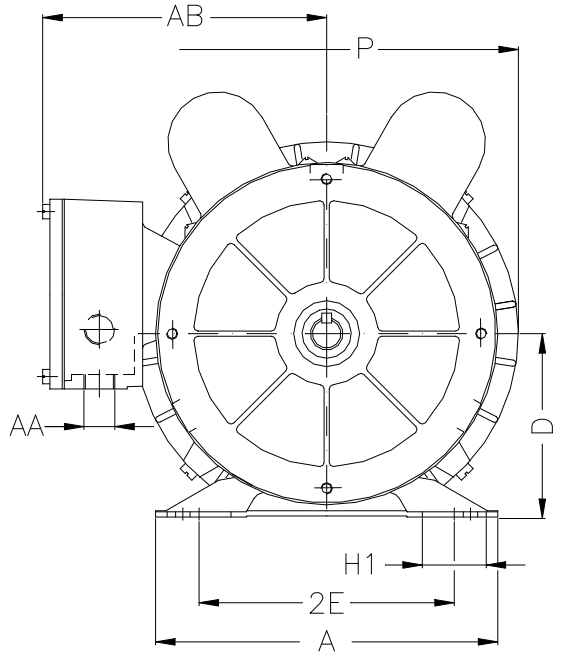
Notes:

Performed by

Checked

1 2 3 4 5 6 7 8

A
B
C
D
E
F



Notes:
 Performed by:
 Checked:
 Customer:

2E 4.874	H 0.342	BA 2.250	A 6.535	D 3.500
J 1.220	K 4.000	O 7.165	P 7.323	Flange FC-149
AJ 5.874	AK 4.500	BD 6.535	BF UNC 3/8"x16-2B	BB 0.157
BC ---	AH			

Farm Duty Motors : TEFC (IP55) - Single-Phase
 Single-phase induction motor
 Frame G145T - IP55
 28-DEC-2012
