



No.:

Date: 27-DEC-2012

Customer :

TECHNICAL PROPOSAL

Three-phase induction motor - Squirrel cage rotor

Product line : Three-Phase: W22 IEEE-841™ Petrochem Motors - NEMA Premium® Efficiency

Catalog Number : 00212ST3QIE184TC-W22

List Price : \$1,428

Notes:

Performed by:

Checked:



No.:

Date: 27-DEC-2012

DATA SHEET

Three-phase induction motor - Squirrel cage rotor

Customer :
Product line : Three-Phase: W22 IEEE-841™ Petrochem Motors - NEMA Premium® Efficiency

Frame : 184T
Output : 2 HP
Frequency : 60 Hz
Poles : 6
Full load speed : 1165
Slip : 2.92 %
Voltage : 460 V
Rated current : 3.23 A
Locked rotor current : 24.2 A
Locked rotor current (I_L/I_n) : 7.5
No-load current : 2.25 A
Full load torque : 8.89 lb.ft
Locked rotor torque : 300 %
Breakdown torque : 300 %
Design : B
Insulation class : F
Temperature rise : 80 K
Locked rotor time : 31 s (hot)
Service factor : 1.25
Duty cycle : S1
Ambient temperature : -20°C - +40°C
Altitude : 1000
Degree of Protection : IP55
Approximate weight : 88 lb
Moment of inertia : 0.62101 sq.ft.lb
Noise level : 52 dB(A)

| | D.E. | N.D.E. | Load | Power factor | Efficiency (%) |
|---------------------|---------|---------|------|--------------|----------------|
| Bearings | 6207 C3 | 6206 C3 | 100% | 0.66 | 88.5 |
| Regreasing interval | 20000 h | 20000 h | 75% | 0.58 | 88.5 |
| Grease amount | 7 g | 5 g | 50% | 0.46 | 86.5 |

Notes:

Performed by

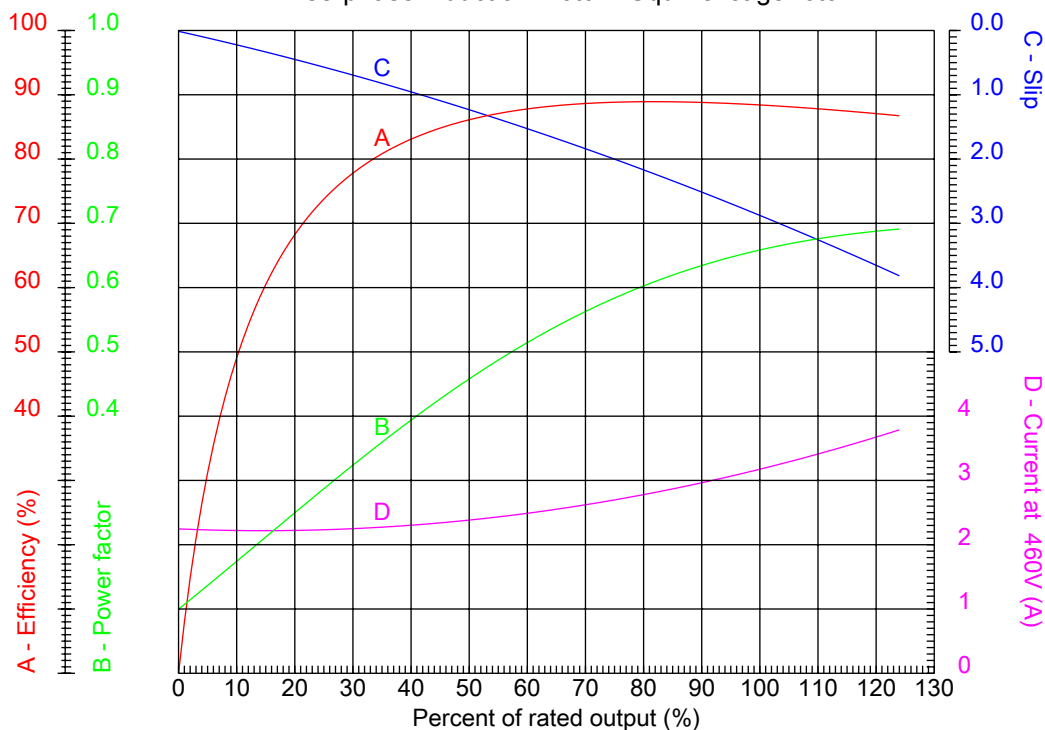
Checked



No.:

Date: 27-DEC-2012

PERFORMANCE CURVES RELATED TO RATED OUTPUT Three-phase induction motor - Squirrel cage rotor



Customer :
Product line : Three-Phase: W22 IEEE-841™ Petrochem Motors - NEMA Premium® Efficiency

| | |
|------------------------|--|
| Frame : 184T | Locked rotor current (I _L /I _n) : 7.5 |
| Output : 2 HP | Duty cycle : S1 |
| Frequency : 60 Hz | Service factor : 1.25 |
| Full load speed : 1165 | Design : B |
| Voltage : 460 V | Locked rotor torque : 300 % |
| Rated current : 3.23 A | Breakdown torque : 300 % |
| Insulation class : F | |

Notes:

Performed by

Checked

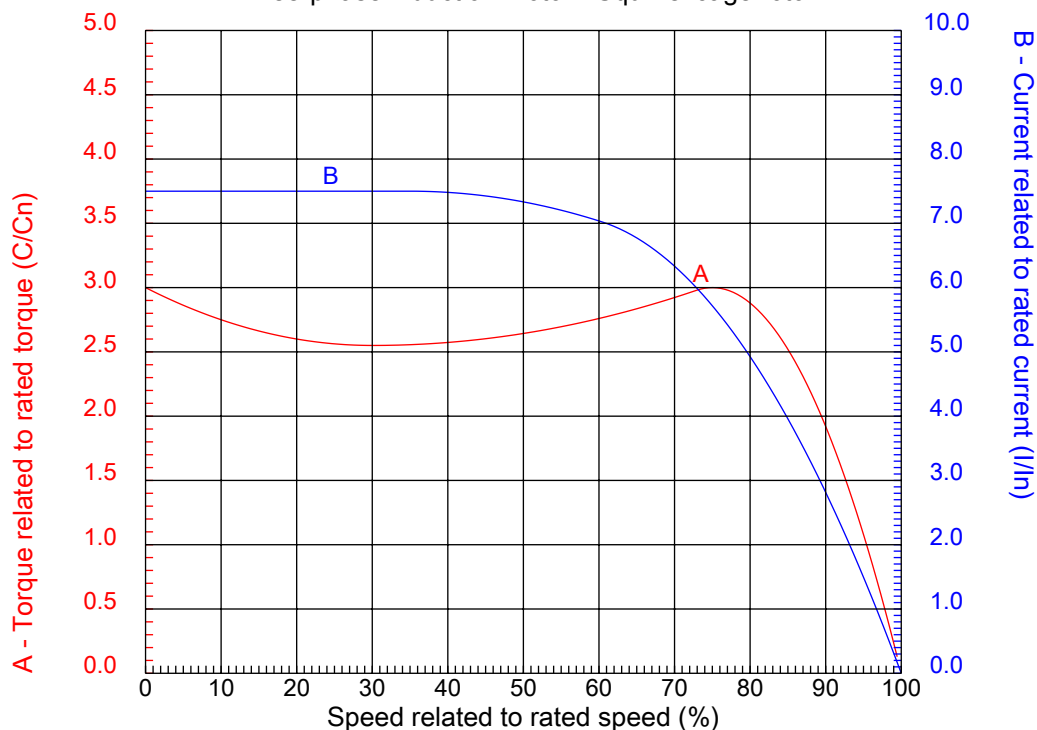


No.:

Date: 27-DEC-2012

CHARACTERISTIC CURVES RELATED TO SPEED

Three-phase induction motor - Squirrel cage rotor



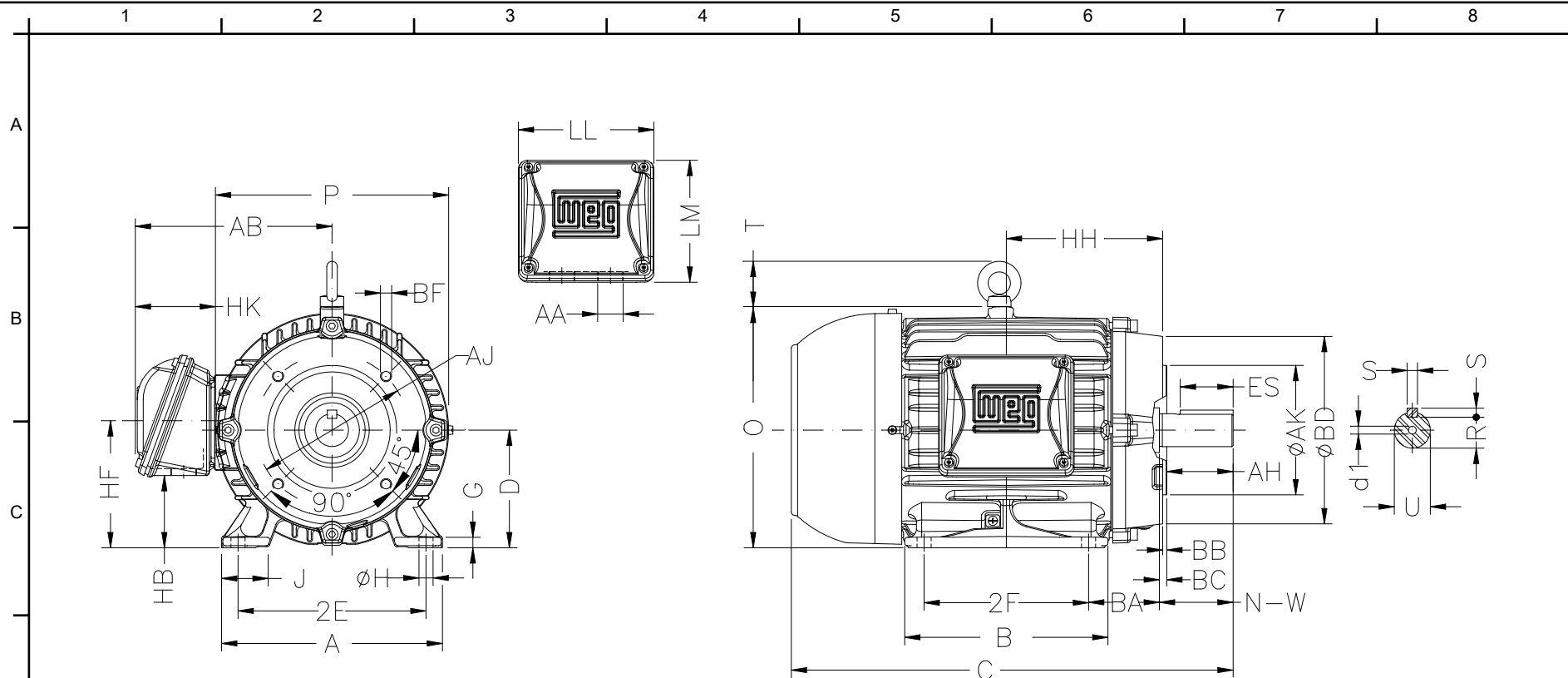
Customer :
Product line : Three-Phase: W22 IEEE-841™ Petrochem Motors - NEMA Premium® Efficiency

| | | | |
|------------------|----------|--|---------|
| Frame | : 184T | Locked rotor current (I _l /I _n) | : 7.5 |
| Output | : 2 HP | Duty cycle | : S1 |
| Frequency | : 60 Hz | Service factor | : 1.25 |
| Full load speed | : 1165 | Design | : B |
| Voltage | : 460 V | Locked rotor torque | : 300 % |
| Rated current | : 3.23 A | Breakdown torque | : 300 % |
| Insulation class | : F | | |

Notes:

Performed by

Checked



| | | | | | |
|---|------------------|-------------|--------------|----------------|-------------------|
| E | 2E 7.500 | J 1.594 | A 8.661 | P 8.740 | AB 7.559 |
| | 2F 5.500 | B 6.969 | BA 2.750 | U 1.125 | N-W 2.750 |
| | ES 1.969 | S 0.250 | R 0.984 | depth 0.250 | D 4.500 |
| | G 0.394 | HB 2.236 | O 9.343 | T 1.772 | HD 11.115 |
| | HF 4.500 | HH 5.500 | HK 3.110 | H 0.406 | C 15.860 |
| F | LL 5.512 | LM 5.236 | AA NPT 1" | d1 A 4 | d2 A 4 |
| | Flange FC-184 | AJ 7.250 | AK 8.500 | BD 8.875 | BF UNC 1/2"x13 |
| | BB 0.250 | BC 0.125 | AH 2.625 | | |

Notes:

Performed by:

Checked:

Customer:

Three-Phase: W22 IEEE-841™ Petrochem Motors - NEMA Premium® Efficiency

Three-phase induction motor
Frame 184T - IP55

27-DEC-2012

