



No.:

Date: 28-DEC-2012

Customer :

TECHNICAL PROPOSAL

Single-phase induction motor - Squirrel cage rotor

Product line : Farm Duty Motors : TEFC (IP55) - Single-Phase

Catalog Number : 00218ES1RFDG56H

List Price : \$529

Notes:

Performed by:

Checked:



No.:

Date: 28-DEC-2012

## DATA SHEET

### Single-phase induction motor - Squirrel cage rotor

Customer :  
Product line : Farm Duty Motors : TEFC (IP55) - Single-Phase

Frame : G56H  
Output : 2 HP  
Frequency : 60 Hz  
Poles : 4  
Full load speed : 1750  
Slip : 2.78 %  
Voltage : 115/230 V  
Rated current : 21.0/10.5 A  
Locked rotor current : 145/72.4 A  
Locked rotor current (I<sub>L</sub>/I<sub>n</sub>) : 6.9  
No-load current : 12.4/6.20 A  
Full load torque : 5.92 lb.ft  
Locked rotor torque : 280 %  
Breakdown torque : 250 %  
Design : ---  
Insulation class : B  
Temperature rise : 80 K  
Locked rotor time : 6 s (hot)  
Service factor : 1.15  
Duty cycle : S1  
Ambient temperature : -20°C - +40°C  
Altitude : 1000  
Degree of Protection : IP55  
Approximate weight : 51 lb  
Moment of inertia : 0.21333 sq.ft.lb  
Noise level : ---

	D.E.	N.D.E.	Load	Power factor	Efficiency (%)
Bearings	6204 ZZ	6203 ZZ	100%	0.78	78.1
Regreasing interval	---	---	75%	0.71	78.0
Grease amount	---	---	50%	0.60	74.0

Notes:

Performed by

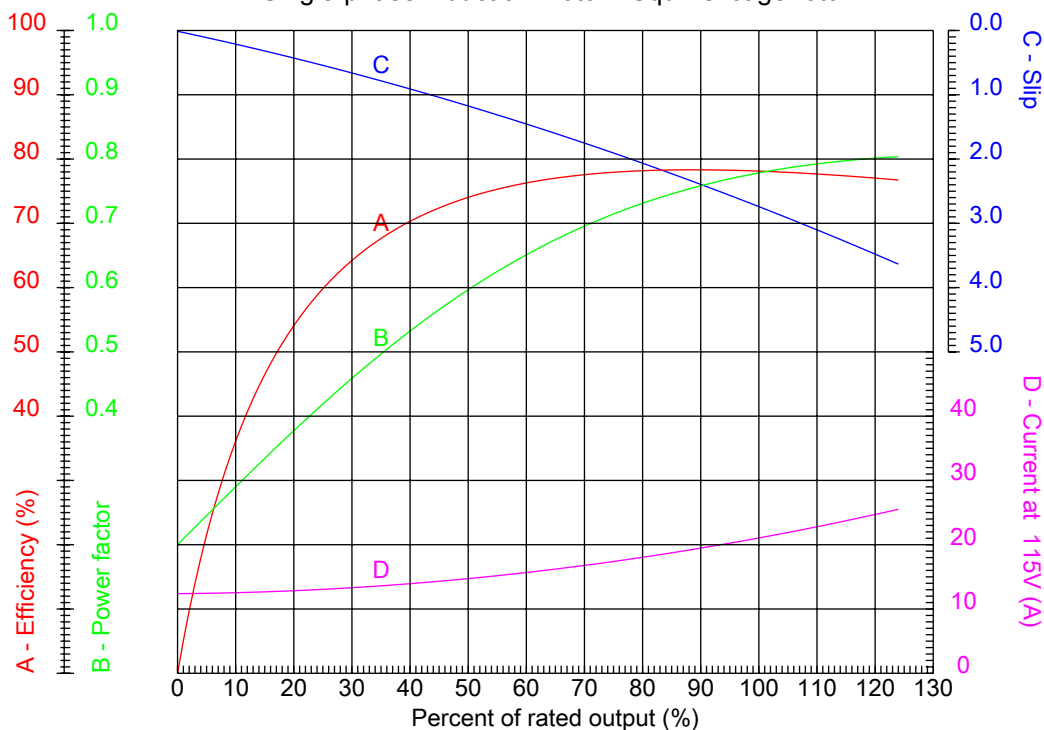
Checked



No.:

Date: 28-DEC-2012

PERFORMANCE CURVES RELATED TO RATED OUTPUT  
Single-phase induction motor - Squirrel cage rotor



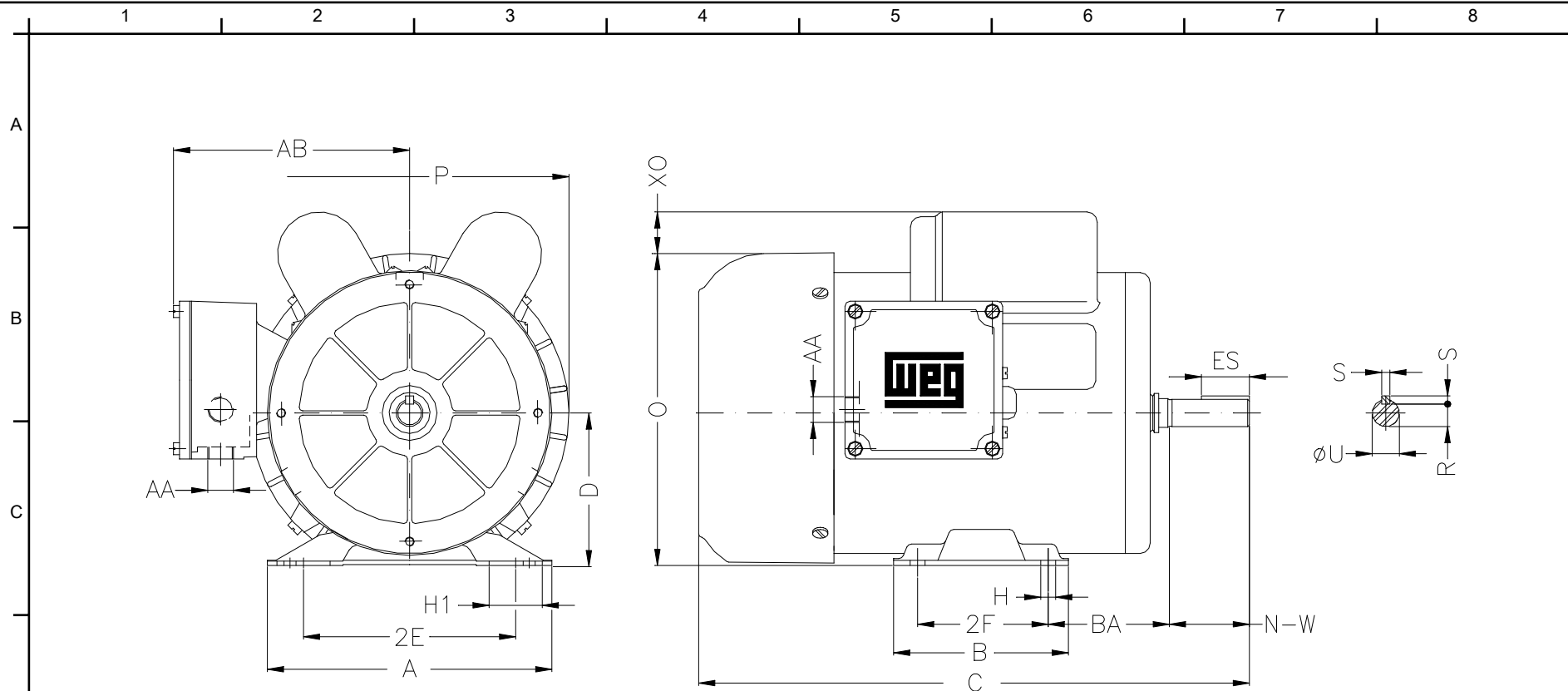
Customer :  
Product line : Farm Duty Motors : TEFC (IP55) - Single-Phase

Frame	: G56H	Locked rotor current (I <sub>l</sub> /I <sub>n</sub> )	: 6.9
Output	: 2 HP	Duty cycle	: S1
Frequency	: 60 Hz	Service factor	: 1.15
Full load speed	: 1750	Design	: ---
Voltage	: 115/230 V	Locked rotor torque	: 280 %
Rated current	: 21.0/10.5 A	Breakdown torque	: 250 %
Insulation class	: B		

Notes:

Performed by

Checked



Notes:

Performed by:

Checked:

Customer:

Farm Duty Motors : TEFC (IP55) - Single-Phase

2E 4.874	2F 3.000	H 0.342	BA 2.750	A 6.535
B 6.496	C 13.858	D 3.500	G 3.04	J 1.220
K 5.000	O 7.165	P 7.323	ES 1.102	S 0.187
N-W 1.874	U 0.6250	R 0.517	AB 5.433	AA 2XNPT 1/2"
Flange FC-149	AJ 5.874	AK 4.500	BD 6.535	BF UNC3/8"x16-2B
BB 0.157	BC ---	AH 2.063		

Single-phase induction motor  
Frame G56H - IP55

28-DEC-2012

