



No.:

Date: 26-DEC-2012

Customer :

TECHNICAL PROPOSAL

Three-phase induction motor - Squirrel cage rotor

Product line : Three-Phase: W22 IEEE-841™ Petrochem Motors - NEMA Premium® Efficiency

Catalog Number : 00236ST3QIE145TC-W22

List Price : \$1,073

Notes:

Performed by:

Checked:



No.:

Date: 26-DEC-2012

DATA SHEET

Three-phase induction motor - Squirrel cage rotor

Customer :
 Product line : Three-Phase: W22 IEEE-841™ Petrochem Motors - NEMA Premium® Efficiency

Frame : 145T
 Output : 2 HP
 Frequency : 60 Hz
 Poles : 2
 Full load speed : 3480
 Slip : 3.33 %
 Voltage : 460 V
 Rated current : 2.56 A
 Locked rotor current : 22.8 A
 Locked rotor current (I_L/I_n) : 8.9
 No-load current : 0.990 A
 Full load torque : 2.98 lb.ft
 Locked rotor torque : 350 %
 Breakdown torque : 380 %
 Design : B
 Insulation class : F
 Temperature rise : 80 K
 Locked rotor time : 17 s (hot)
 Service factor : 1.25
 Duty cycle : S1
 Ambient temperature : -20°C - +40°C
 Altitude : 1000
 Degree of Protection : IP55
 Approximate weight : 52 lb
 Moment of inertia : 0.06051 sq.ft.lb
 Noise level : 68 dB(A)

	D.E.	N.D.E.	Load	Power factor	Efficiency (%)
Bearings	6205 C3	6204 C3	100%	0.86	85.5
Regreasing interval	20000 h	20000 h	75%	0.80	85.5
Grease amount	4 g	4 g	50%	0.71	82.5

Notes:

Performed by

Checked

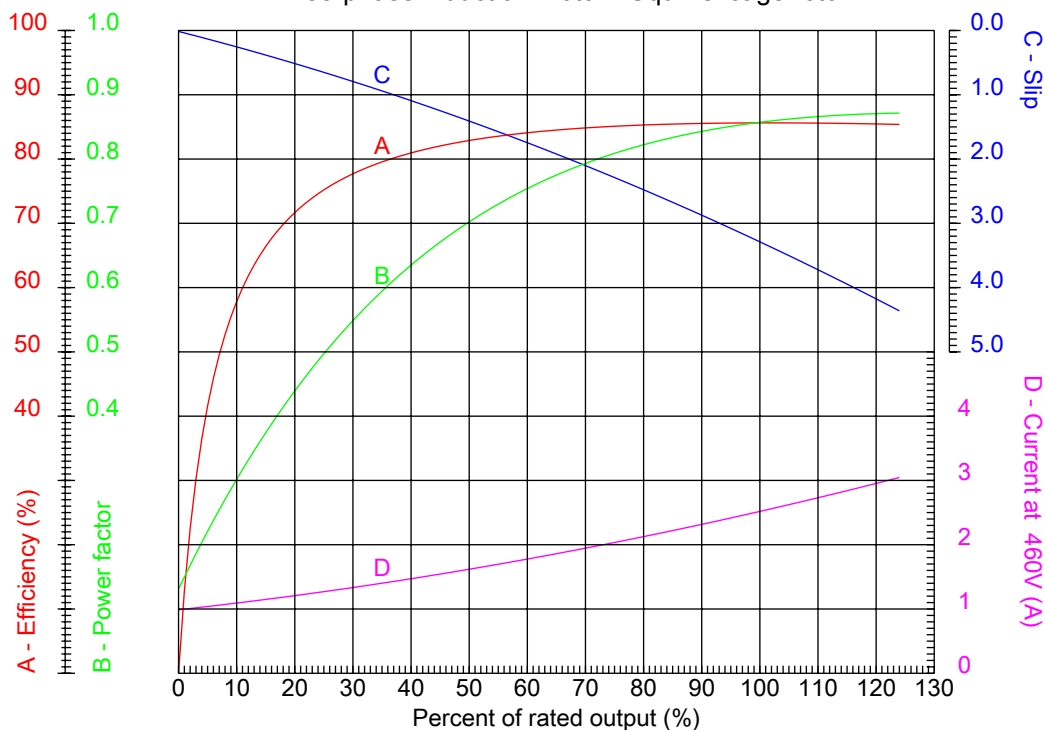


No.:

Date: 26-DEC-2012

PERFORMANCE CURVES RELATED TO RATED OUTPUT

Three-phase induction motor - Squirrel cage rotor



Customer :
Product line : Three-Phase: W22 IEEE-841™ Petrochem Motors - NEMA Premium® Efficiency

Frame	: 145T	Locked rotor current (I _L /I _n)	: 8.9
Output	: 2 HP	Duty cycle	: S1
Frequency	: 60 Hz	Service factor	: 1.25
Full load speed	: 3480	Design	: B
Voltage	: 460 V	Locked rotor torque	: 350 %
Rated current	: 2.56 A	Breakdown torque	: 380 %
Insulation class	: F		

Notes:

Performed by

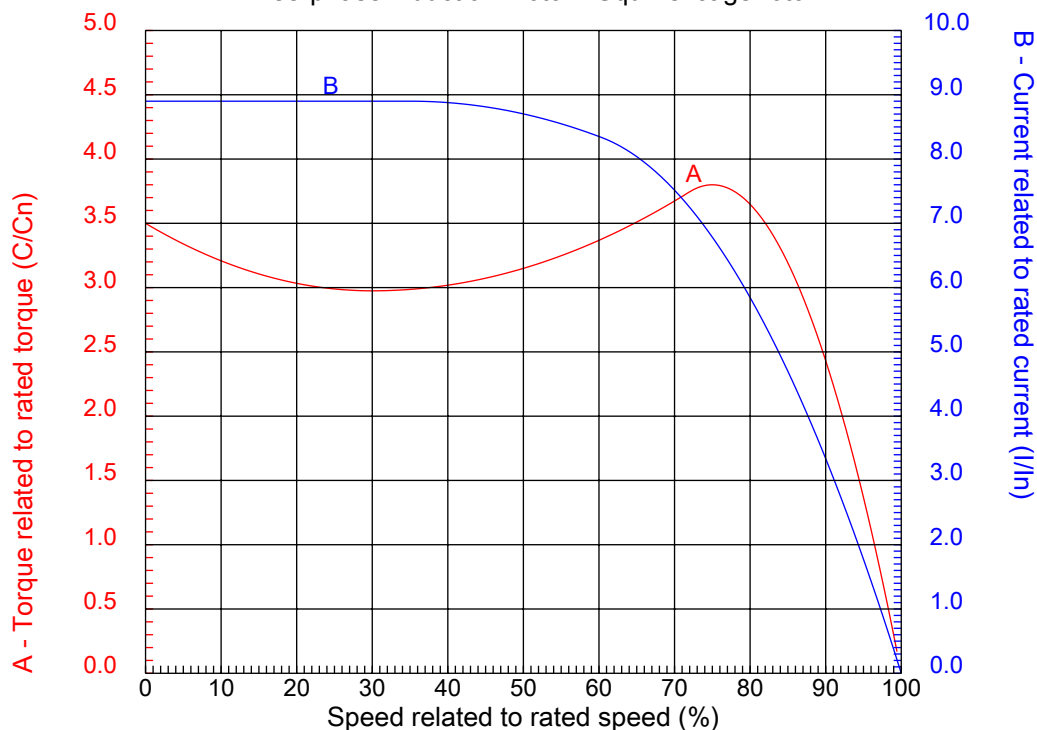
Checked



No.:

Date: 26-DEC-2012

CHARACTERISTIC CURVES RELATED TO SPEED Three-phase induction motor - Squirrel cage rotor



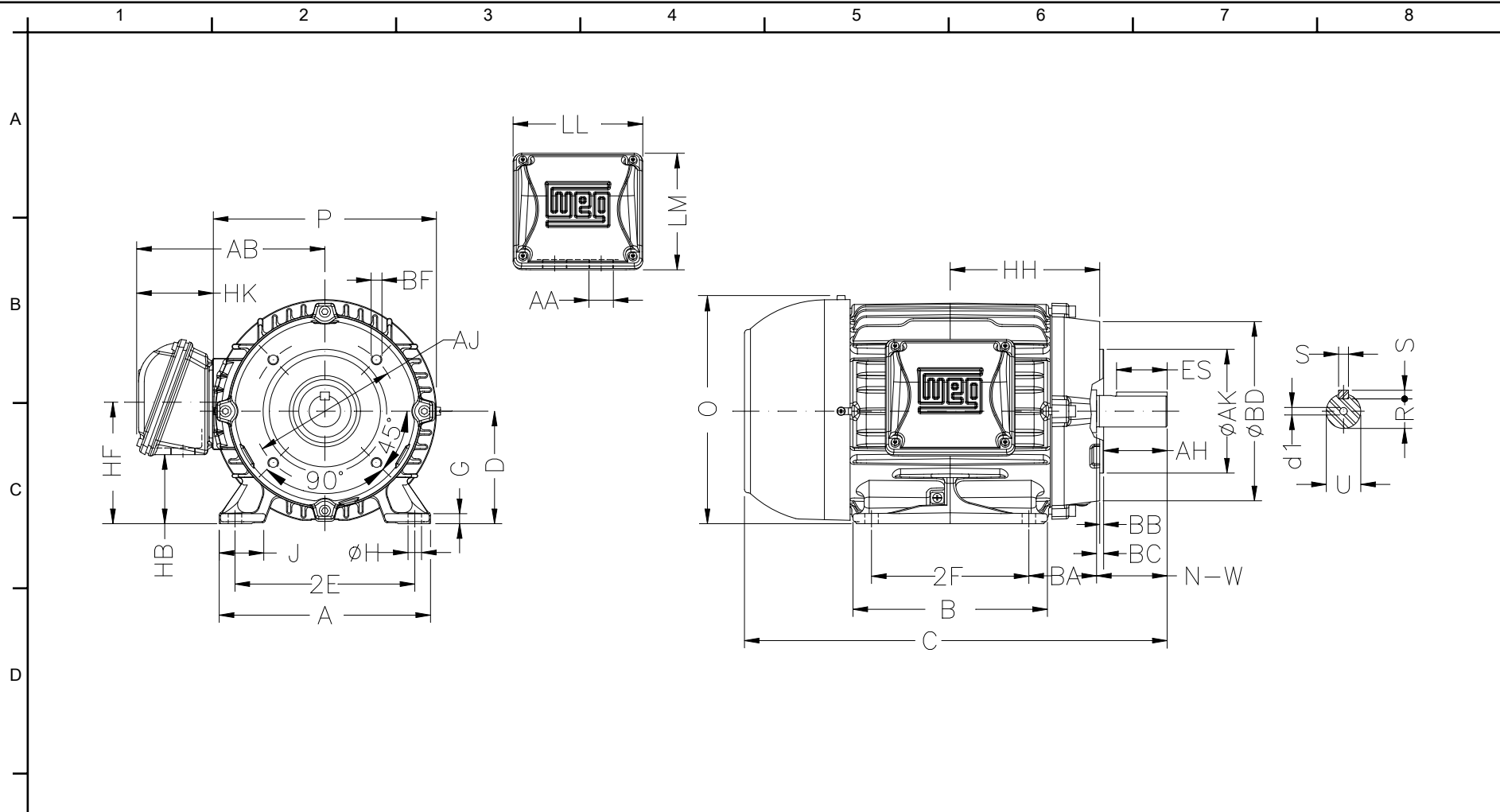
Customer :
Product line : Three-Phase: W22 IEEE-841™ Petrochem Motors - NEMA Premium® Efficiency

Frame	: 145T	Locked rotor current (I _l /I _n)	: 8.9
Output	: 2 HP	Duty cycle	: S1
Frequency	: 60 Hz	Service factor	: 1.25
Full load speed	: 3480	Design	: B
Voltage	: 460 V	Locked rotor torque	: 350 %
Rated current	: 2.56 A	Breakdown torque	: 380 %
Insulation class	: F		

Notes:

Performed by

Checked



E	2E 5.500	J 1.437	A 6.457	P 7.047	AB 6.181
	2F 5.000	B 6.142	BA 2.250	U 0.875	N-W 2.250
	ES 1.417	S 0.187	R 0.765	depth 0.187	D 3.500
	G 0.354	HB 1.728	O 7.122	HF 3.500	HH 4.750
	HK 2.638	H 0.344	C 13.346	LL 4.527	LM 4.094
F	AA NPT 3/4"	d1 A 4	d2 A 4	Flange FC-149	AJ 5.875
	AK 4.500	BD 6.500	BF UNC 3/8"x16	BB 0.156	BC 0.125
	AH 2.125				

Notes:		
Performed by:		
Checked:		
Customer:		
Three-Phase: W22 IEEE-841™ Petrochem Motors - NEMA Premium® Efficiency		
Three-phase induction motor Frame 145T - IP55	26-DEC-2012	