



No.:

Date: 27-DEC-2012

Customer :

TECHNICAL PROPOSAL

Three-phase induction motor - Squirrel cage rotor

Product line : Three-Phase: W22 IEEE-841™ Petrochem Motors - NEMA Premium® Efficiency

Catalog Number : 00309ST3QIE215TC-W22

List Price : \$2,963

Notes:

Performed by:

Checked:



No.:

Date: 27-DEC-2012

DATA SHEET

Three-phase induction motor - Squirrel cage rotor

Customer :
Product line : Three-Phase: W22 IEEE-841™ Petrochem Motors - NEMA Premium® Efficiency

Frame : 215T
Output : 3 HP
Frequency : 60 Hz
Poles : 8
Full load speed : 865
Slip : 3.89 %
Voltage : 460 V
Rated current : 4.56 A
Locked rotor current : 31.0 A
Locked rotor current (I_L/I_n) : 6.8
No-load current : 2.71 A
Full load torque : 18.0 lb.ft
Locked rotor torque : 230 %
Breakdown torque : 280 %
Design : B
Insulation class : F
Temperature rise : 80 K
Locked rotor time : 44 s (hot)
Service factor : 1.25
Duty cycle : S1
Ambient temperature : -20°C - +40°C
Altitude : 1000
Degree of Protection : IP55
Approximate weight : 176 lb
Moment of inertia : 2.1065 sq.ft.lb
Noise level : 52 dB(A)

	D.E.	N.D.E.	Load	Power factor	Efficiency (%)
Bearings	6308 C3	6207 C3	100%	0.71	85.5
Regreasing interval	20000 h	20000 h	75%	0.63	85.5
Grease amount	11 g	7 g	50%	0.50	84.0

Notes:

Performed by

Checked

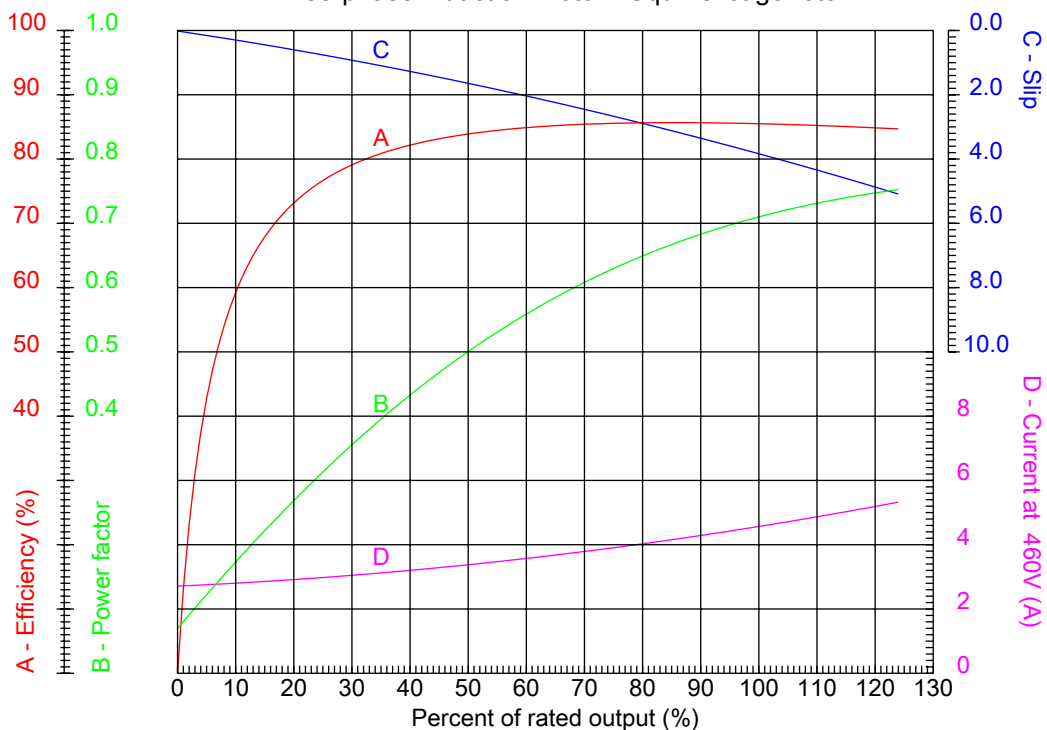


No.:

Date: 27-DEC-2012

PERFORMANCE CURVES RELATED TO RATED OUTPUT

Three-phase induction motor - Squirrel cage rotor



Customer :
Product line : Three-Phase: W22 IEEE-841™ Petrochem Motors - NEMA Premium® Efficiency

Frame : 215T	Locked rotor current (I _L /I _n) : 6.8
Output : 3 HP	Duty cycle : S1
Frequency : 60 Hz	Service factor : 1.25
Full load speed : 865	Design : B
Voltage : 460 V	Locked rotor torque : 230 %
Rated current : 4.56 A	Breakdown torque : 280 %
Insulation class : F	

Notes:

Performed by

Checked

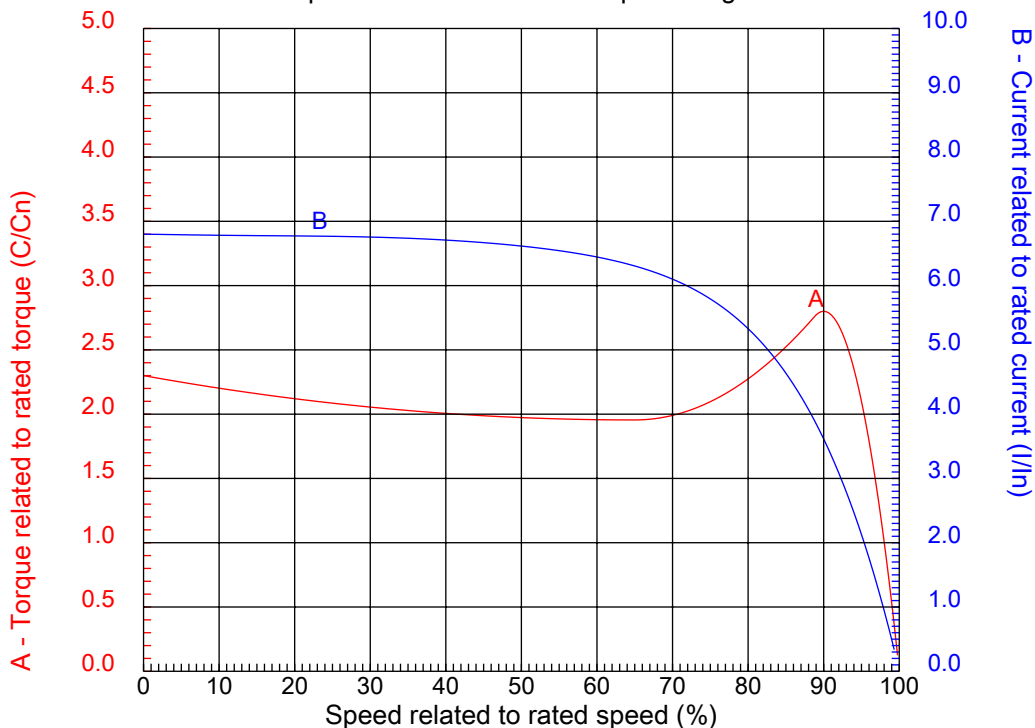


No.:

Date: 27-DEC-2012

CHARACTERISTIC CURVES RELATED TO SPEED

Three-phase induction motor - Squirrel cage rotor



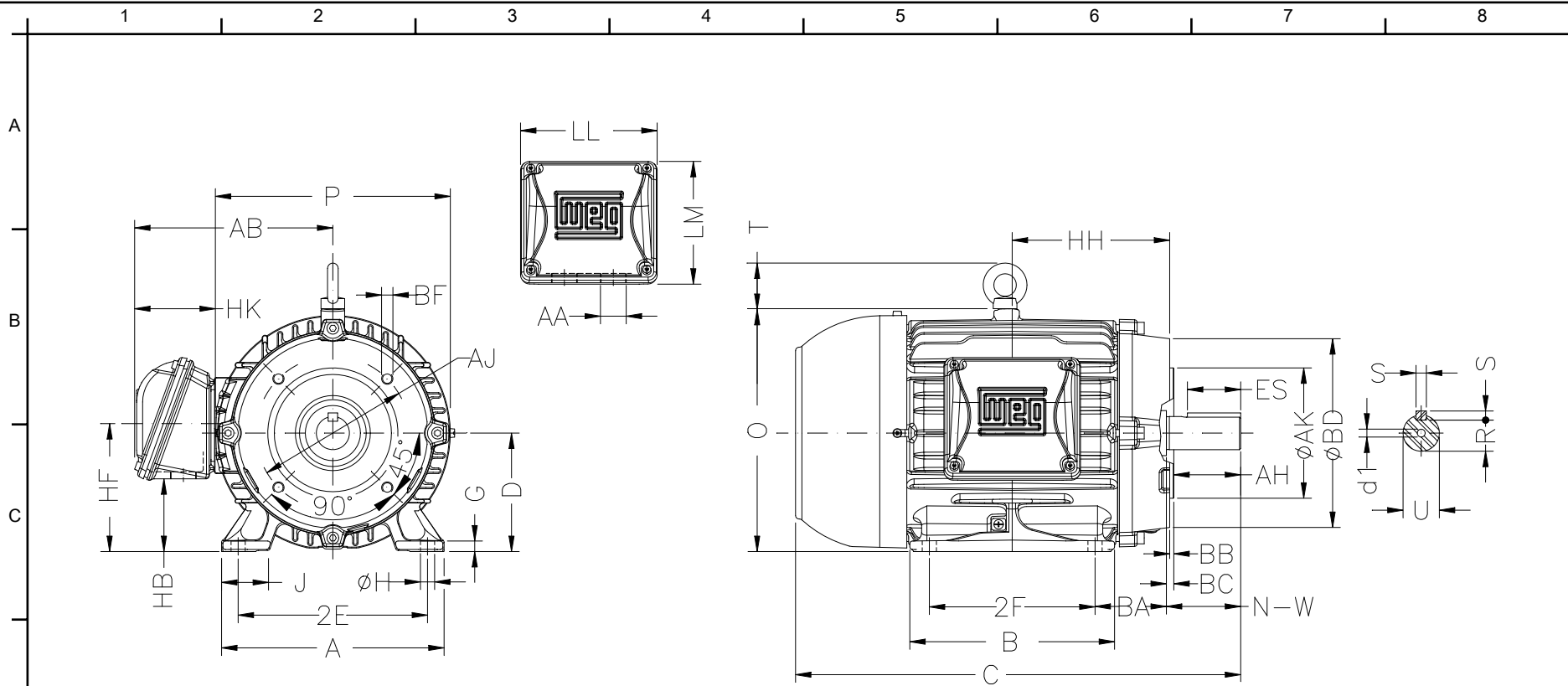
Customer :
Product line : Three-Phase: W22 IEEE-841™ Petrochem Motors - NEMA Premium® Efficiency

Frame	: 215T	Locked rotor current (I _l /I _n)	: 6.8
Output	: 3 HP	Duty cycle	: S1
Frequency	: 60 Hz	Service factor	: 1.25
Full load speed	: 865	Design	: B
Voltage	: 460 V	Locked rotor torque	: 230 %
Rated current	: 4.56 A	Breakdown torque	: 280 %
Insulation class	: F		

Notes:

Performed by

Checked



E	2E	J	A	P	AB
	8.500	1.988	9.764	10.669	8.583
F	2F	K	B	BA	U
	7.000	2.165	8.858	3.500	1.375
F	N-W	ES	S	R	depth
	3.375	2.756	0.313	1.203	0.313
F	D	G	HB	O	T
	5.250	0.827	3.006	10.841	1.772
F	HD	HF	HH	HK	H
	12.613	5.250	7.000	3.110	0.406
F	C	LL	LM	AA	d1
	19.517	5.512	5.236	NPT 1"	A 4
F	d2	Flange	AJ	AK	BD
	A 4	FC-184	7.250	8.500	8.875
F	BF	BB	BC	AH	
	UNC 1/2"x13	0.250	0.250	3.125	

Notes:

Performed by:

Checked:

Customer:

Three-Phase: W22 IEEE-841™ Petrochem Motors - NEMA Premium® Efficiency

Three-phase induction motor
Frame 215T - IP55

27-DEC-2012

