



No.:

Date: 28-DEC-2012

Customer :

TECHNICAL PROPOSAL

Three-phase induction motor - Squirrel cage rotor

Product line : Jet Pump - NEMA 56 : Three-Phase - Keyed - ODP (IP21)

Catalog Number : 00336OS3EJPR56C

List Price : \$332

Notes:

Performed by:

Checked:



No.:

Date: 28-DEC-2012

DATA SHEET

Three-phase induction motor - Squirrel cage rotor

Customer :
Product line : Jet Pump - NEMA 56 : Three-Phase - Keyed - ODP (IP21)

Frame : F56H
Output : 3 HP
Frequency : 60 Hz
Poles : 2
Full load speed : 3460
Slip : 3.89 %
Voltage : 208-230/460 V
Rated current : 8.35-7.75/3.87 A
Locked rotor current : 54.2/27.1 A
Locked rotor current (I_L/I_n) : 7.0
No-load current : 4.02/2.01 A
Full load torque : 4.49 lb.ft
Locked rotor torque : 280 %
Breakdown torque : 300 %
Design : A
Insulation class : B
Temperature rise : 80 K
Locked rotor time : 10 s (hot)
Service factor : 1.15 (1.00 at 208V)
Duty cycle : S1
Ambient temperature : -20°C - +40°C
Altitude : 1000
Degree of Protection : IP21
Approximate weight : 50 lb
Moment of inertia : 0.04960 sq.ft.lb
Noise level : ---

	D.E.	N.D.E.	Load	Power factor	Efficiency (%)
Bearings	6204 2RS	6203 2RS	100%	0.89	82.0
Regreasing interval	---	---	75%	0.82	82.0
Grease amount	---	---	50%	0.70	81.5

Notes:

Performed by

Checked

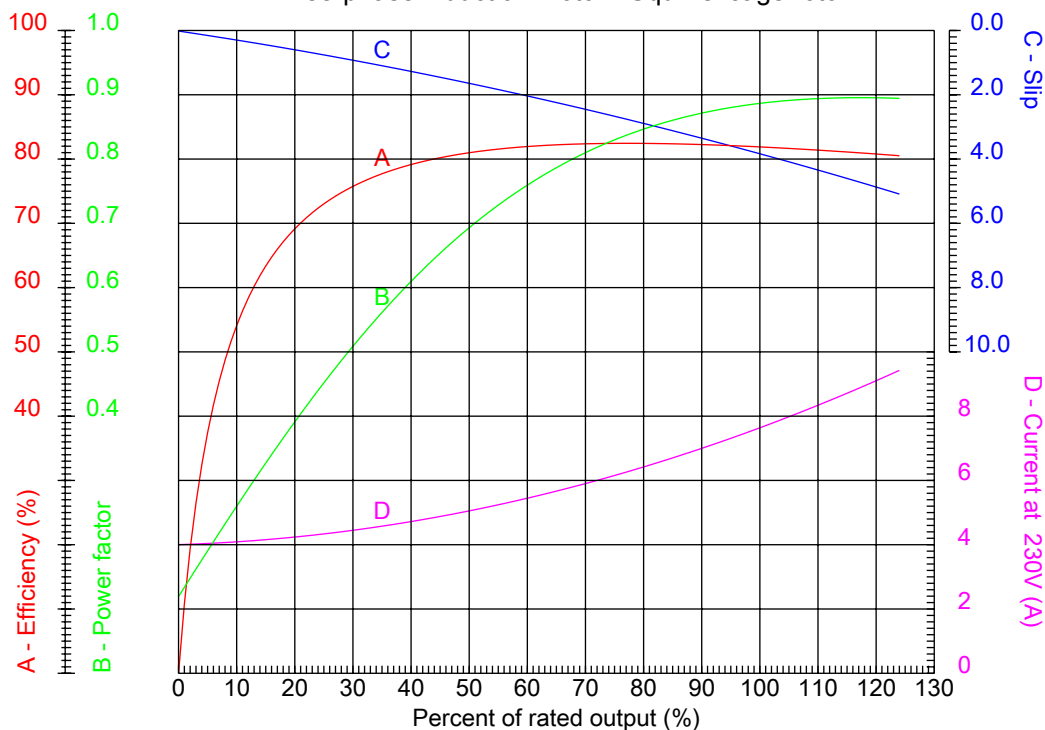


No.:

Date: 28-DEC-2012

PERFORMANCE CURVES RELATED TO RATED OUTPUT

Three-phase induction motor - Squirrel cage rotor



Customer :
Product line : Jet Pump - NEMA 56 : Three-Phase - Keyed - ODP (IP21)

Frame : F56H	Locked rotor current (I _l /I _n) : 7.0
Output : 3 HP	Duty cycle : S1
Frequency : 60 Hz	Service factor : 1.15 (1.00 at 208V)
Full load speed : 3460	Design : A
Voltage : 208-230/460 V	Locked rotor torque : 280 %
Rated current : 8.35-7.75/3.87 A	Breakdown torque : 300 %
Insulation class : B	

Notes:

Performed by

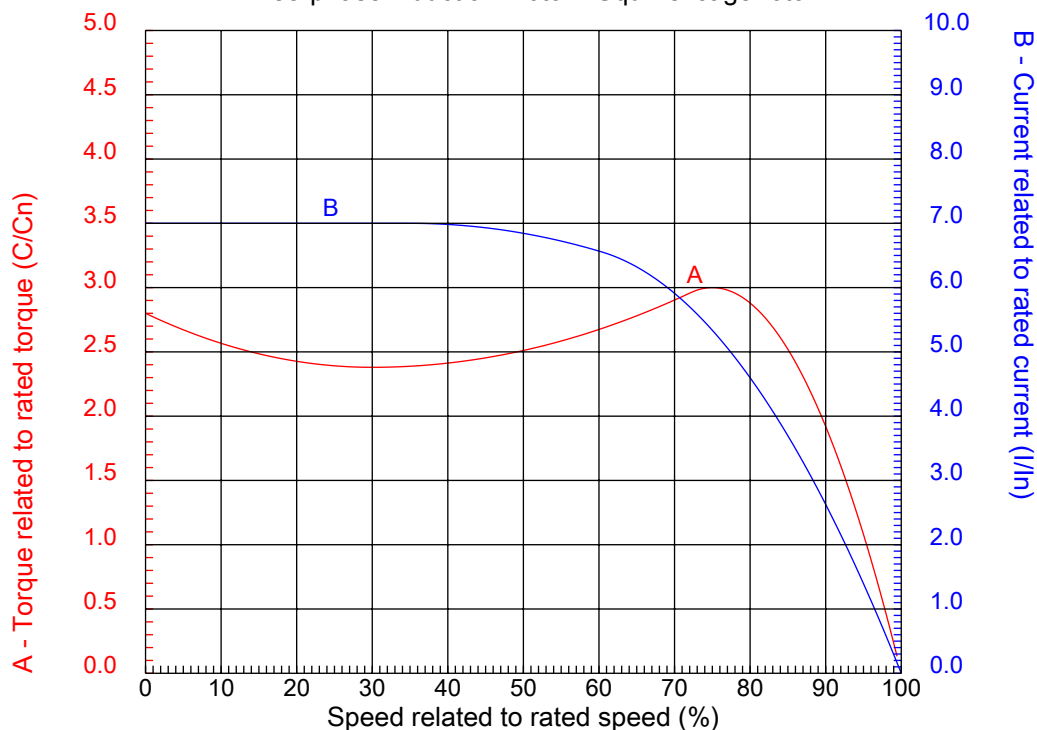
Checked



No.:

Date: 28-DEC-2012

CHARACTERISTIC CURVES RELATED TO SPEED Three-phase induction motor - Squirrel cage rotor



Customer :
Product line : Jet Pump - NEMA 56 : Three-Phase - Keyed - ODP (IP21)

Frame	: F56H	Locked rotor current (I _l /I _n)	: 7.0
Output	: 3 HP	Duty cycle	: S1
Frequency	: 60 Hz	Service factor	: 1.15 (1.00 at 208V)
Full load speed	: 3460	Design	: A
Voltage	: 208-230/460 V	Locked rotor torque	: 280 %
Rated current	: 8.35-7.75/3.87 A	Breakdown torque	: 300 %
Insulation class	: B		

Notes:

Performed by

Checked

1 2 3 4 5 6 7 8

A

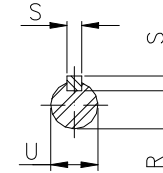
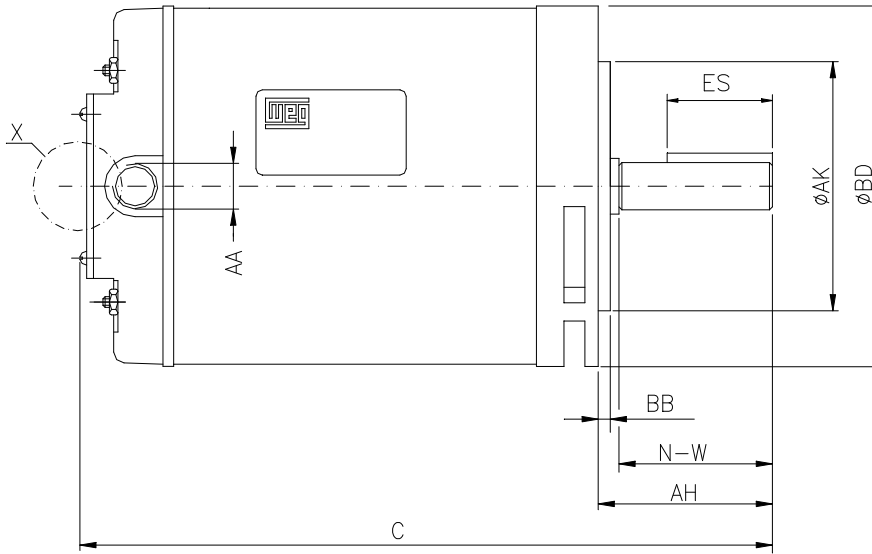
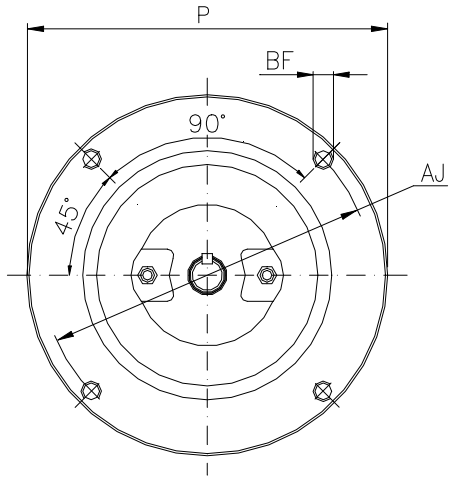
B

C

D

E

F



Notes:

Performed by:

Checked:

Customer:

Jet Pump - NEMA 56 : Three-Phase - Keyed - ODP (IP21)

Three-phase induction motor
Frame F56H - IP21

28-DEC-2012



C	P	ES	S	N-W
13.465	6.496	1.417	0.187	1.874
U	R	AA	Flange	AJ
0.625	0.517	NPT 1/2"	FC-149	5.874
AK	BD	BF	BB	BC
4.500	6.535	114.3	0.157	---
AH				
2.063				