



No.:

Date: 26-DEC-2012

Customer :

TECHNICAL PROPOSAL

Three-phase induction motor - Squirrel cage rotor

Product line : Three-Phase: W22 IEEE-841™ Petrochem Motors - NEMA Premium® Efficiency

Catalog Number : 00336ST3HIE182T-W22

List Price : \$1,267

Notes:

Performed by:

Checked:



No.:

Date: 26-DEC-2012

## DATA SHEET

### Three-phase induction motor - Squirrel cage rotor

Customer :  
Product line : Three-Phase: W22 IEEE-841™ Petrochem Motors - NEMA Premium® Efficiency

Frame : 182T  
Output : 3 HP  
Frequency : 60 Hz  
Poles : 2  
Full load speed : 3510  
Slip : 2.50 %  
Voltage : 575 V  
Rated current : 2.90 A  
Locked rotor current : 24.1 A  
Locked rotor current (I<sub>L</sub>/I<sub>n</sub>) : 8.3  
No-load current : 1.12 A  
Full load torque : 4.43 lb.ft  
Locked rotor torque : 240 %  
Breakdown torque : 380 %  
Design : B  
Insulation class : F  
Temperature rise : 80 K  
Locked rotor time : 41 s (hot)  
Service factor : 1.25  
Duty cycle : S1  
Ambient temperature : -20°C - +40°C  
Altitude : 1000  
Degree of Protection : IP55  
Approximate weight : 88 lb  
Moment of inertia : 0.18889 sq.ft.lb  
Noise level : 69 dB(A)

	D.E.	N.D.E.	Load	Power factor	Efficiency (%)
Bearings	6207 C3	6206 C3	100%	0.88	86.5
Regreasing interval	20000 h	20000 h	75%	0.84	86.5
Grease amount	7 g	5 g	50%	0.75	82.5

Notes:

Performed by

Checked

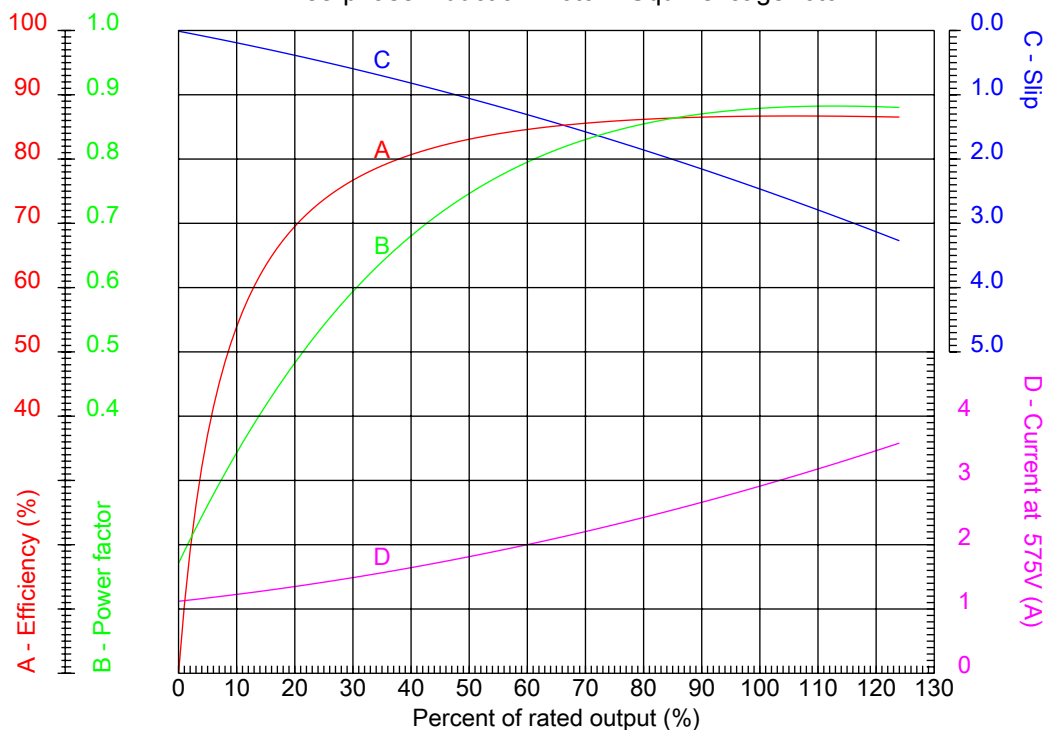


No.:

Date: 26-DEC-2012

PERFORMANCE CURVES RELATED TO RATED OUTPUT

Three-phase induction motor - Squirrel cage rotor



Customer :  
 Product line : Three-Phase: W22 IEEE-841™ Petrochem Motors - NEMA Premium® Efficiency

Frame : 182T	Locked rotor current (I <sub>L</sub> /I <sub>n</sub> ) : 8.3
Output : 3 HP	Duty cycle : S1
Frequency : 60 Hz	Service factor : 1.25
Full load speed : 3510	Design : B
Voltage : 575 V	Locked rotor torque : 240 %
Rated current : 2.90 A	Breakdown torque : 380 %
Insulation class : F	

Notes:

Performed by

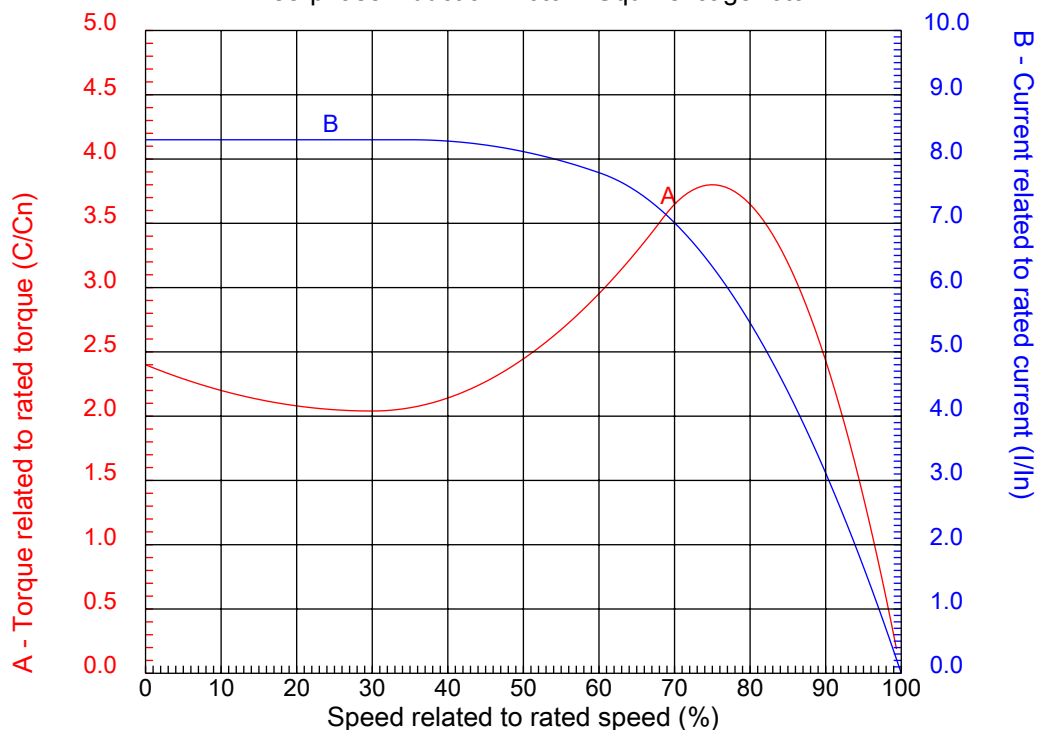
Checked



No.:

Date: 26-DEC-2012

### CHARACTERISTIC CURVES RELATED TO SPEED Three-phase induction motor - Squirrel cage rotor



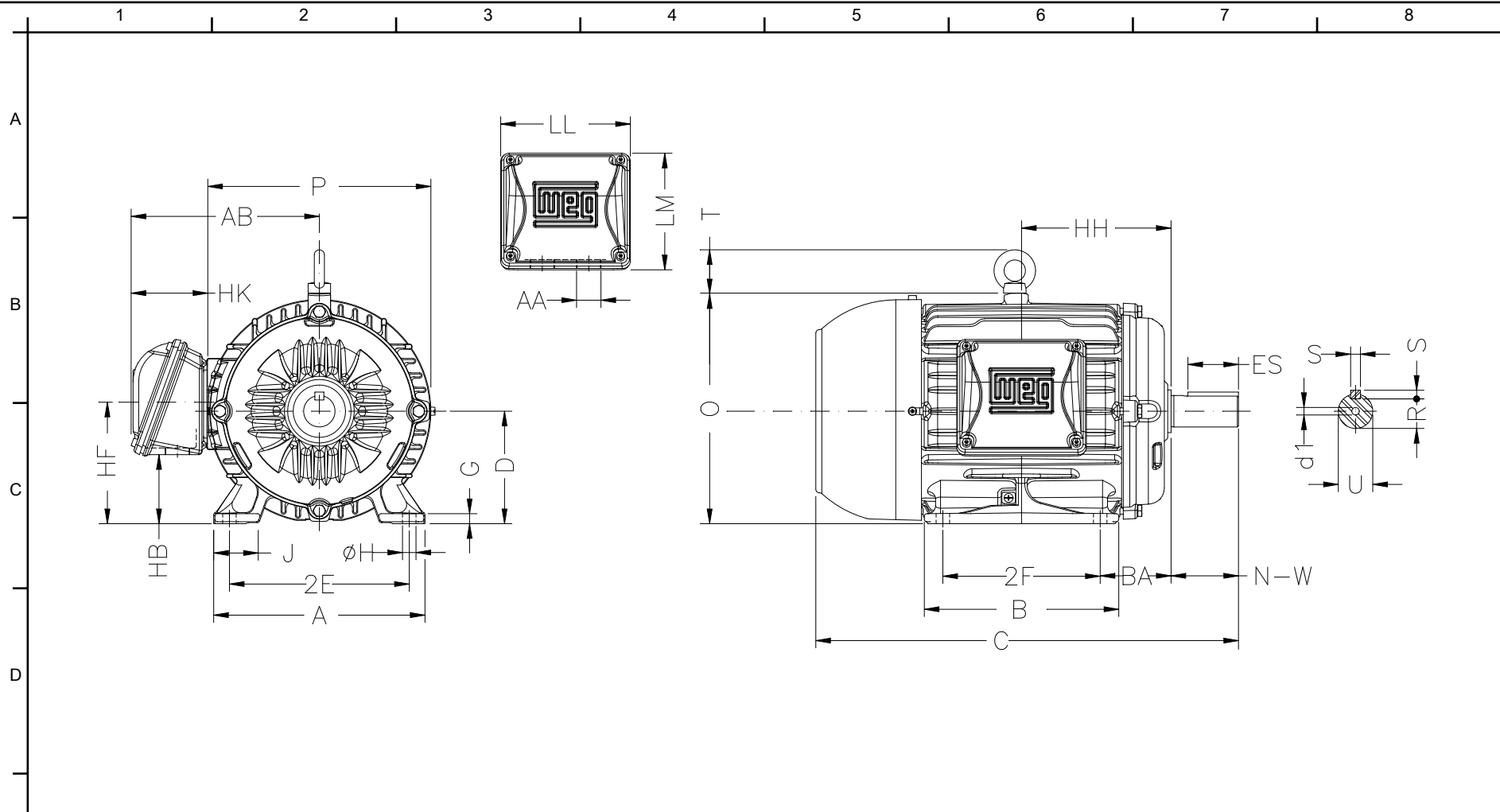
Customer :  
Product line : Three-Phase: W22 IEEE-841™ Petrochem Motors - NEMA Premium® Efficiency

Frame	: 182T	Locked rotor current (I <sub>l</sub> /I <sub>n</sub> )	: 8.3
Output	: 3 HP	Duty cycle	: S1
Frequency	: 60 Hz	Service factor	: 1.25
Full load speed	: 3510	Design	: B
Voltage	: 575 V	Locked rotor torque	: 240 %
Rated current	: 2.90 A	Breakdown torque	: 380 %
Insulation class	: F		

Notes:

Performed by

Checked



E	2E	J	A	P	AB
	7.500	1.594	8.661	8.740	7.559
F	2F	B	BA	U	N-W
	4.500	5.945	2.750	1.125	2.750
G	ES	S	R	depth	D
	1.969	0.250	0.984	0.250	4.500
H	G	HB	O	T	HD
	0.394	2.236	9.343	1.772	11.115
I	HF	HH	HK	H	C
	4.500	5.000	3.110	0.406	14.860
J	LL	LM	AA	d1	d2
	5.512	5.236	NPT 1"	A 4	A 4
K	Flange	AJ	AK	BD	BF
	FD-254	10.000	9.000	11.00	0.562
L	BB				
	0.203				

Notes:

Performed by:

Checked:

Customer:

Three-Phase: W22 IEEE-841™ Petrochem Motors - NEMA Premium® Efficiency

Three-phase induction motor  
Frame 182T - IP55

26-DEC-2012

