



No.:

Date: 27-DEC-2012

Customer :

TECHNICAL PROPOSAL

Three-phase induction motor - Squirrel cage rotor

Product line : Oil Well Pumping : High Slip - NEMA Design "D" - TEFC (IP55)

Catalog Number : 00509ES3EOW256T

List Price : \$2,242

Notes:

Performed by:

Checked:



No.:

Date: 27-DEC-2012

DATA SHEET

Three-phase induction motor - Squirrel cage rotor

Customer :
Product line : Oil Well Pumping : High Slip - NEMA Design "D" - TEFC (IP55)

Frame : 256T
Output : 5 HP
Frequency : 60 Hz
Poles : 8
Full load speed : 825
Slip : 8.33 %
Voltage : 208-230/460 V
Rated current : 16.0-14.5/7.25 A
Locked rotor current : 91.4/45.7 A
Locked rotor current (I_L/I_n) : 6.3
No-load current : 7.20/3.60 A
Full load torque : 31.4 lb.ft
Locked rotor torque : 300 %
Breakdown torque : 0 %
Design : D
Insulation class : F
Temperature rise : 80 K
Locked rotor time : 17 s (hot)
Service factor : 1.15
Duty cycle : S1
Ambient temperature : -20°C - +40°C
Altitude : 1000
Degree of Protection : IP55
Approximate weight : 266 lb
Moment of inertia : 3.4086 sq.ft.lb
Noise level : 54 dB(A)

	D.E.	N.D.E.	Load	Power factor	Efficiency (%)
Bearings	6309 C3	6209 C3	100%	0.83	77.0
Regreasing interval	20000 h	20000 h	75%	0.76	77.0
Grease amount	13 g	9 g	50%	0.64	75.5

Notes:

Performed by

Checked

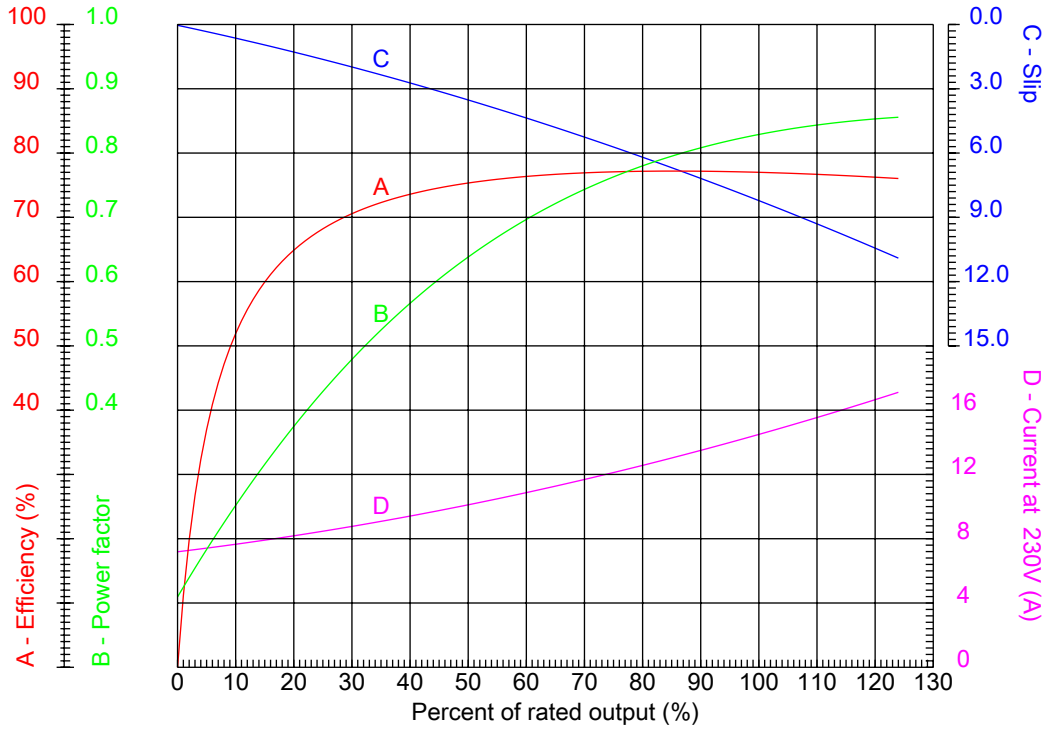


No.:

Date: 27-DEC-2012

PERFORMANCE CURVES RELATED TO RATED OUTPUT

Three-phase induction motor - Squirrel cage rotor



Customer :
 Product line : Oil Well Pumping : High Slip - NEMA Design "D" - TEFC (IP55)

Frame	: 256T	Locked rotor current (I _l /I _n)	: 6.3
Output	: 5 HP	Duty cycle	: S1
Frequency	: 60 Hz	Service factor	: 1.15
Full load speed	: 825	Design	: D
Voltage	: 208-230/460 V	Locked rotor torque	: 300 %
Rated current	: 16.0-14.5/7.25 A	Breakdown torque	: 0 %
Insulation class	: F		

Notes:

Performed by

Checked

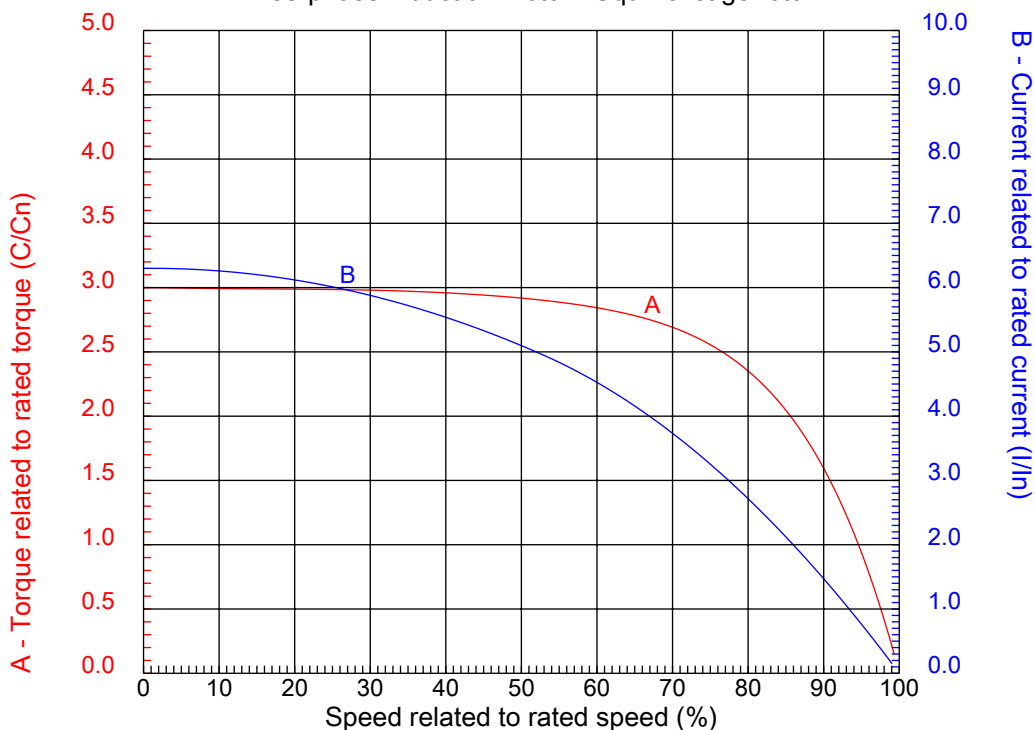


No.:

Date: 27-DEC-2012

CHARACTERISTIC CURVES RELATED TO SPEED

Three-phase induction motor - Squirrel cage rotor



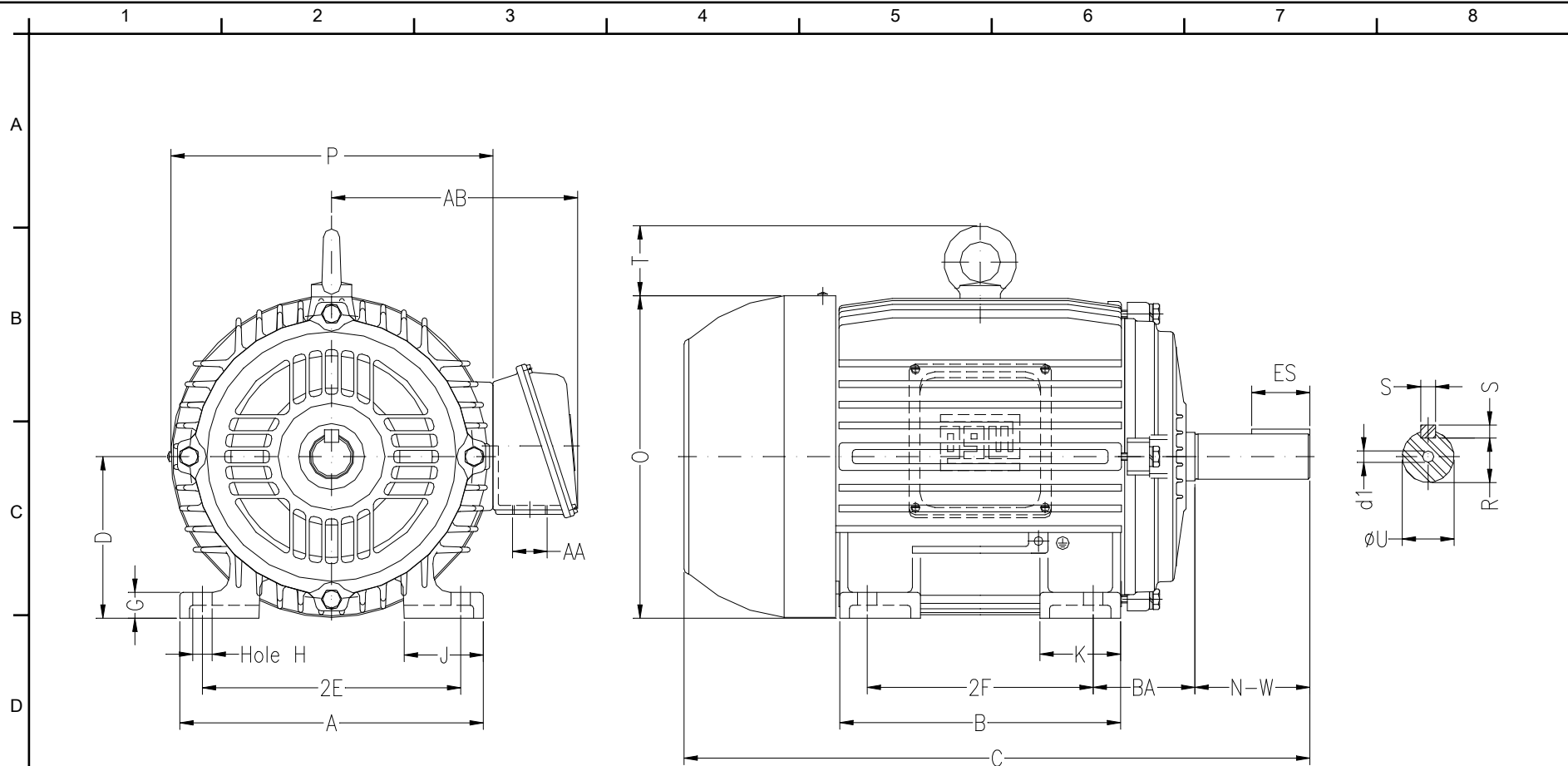
Customer :
Product line : Oil Well Pumping : High Slip - NEMA Design "D" - TEFC (IP55)

Frame	: 256T	Locked rotor current (I _l /I _n)	: 6.3
Output	: 5 HP	Duty cycle	: S1
Frequency	: 60 Hz	Service factor	: 1.15
Full load speed	: 825	Design	: D
Voltage	: 208-230/460 V	Locked rotor torque	: 300 %
Rated current	: 16.0-14.5/7.25 A	Breakdown torque	: 0 %
Insulation class	: F		

Notes:

Performed by

Checked



Notes:

2E 10.000	A 12.126	2F 10.000	B 11.732	BA 4.250
J 2.520	K 2.559	P 12.283	ES 2.756	depth 0.375
S 0.375	N-W 4.000	U 1.625	R 1.406	AB 10.079
D 6.250	G 0.817	O 12.431	T 2.087	HD 14.518
H 0.531	C 24.945	AA NPT 1 1/2"	d1 A 4	d2 A 4
Flange FD-317	AJ 12.500	AK 11.000	BD 14.000	BF 0.828
BB 0.203				

Performed by:

Checked:

Customer:

Oil Well Pumping : High Slip - NEMA Design "D" - TEFC (IP55)

Three-phase induction motor
Frame 256T - IP55

27-DEC-2012

