



No.:

Date: 27-DEC-2012

Customer :

TECHNICAL PROPOSAL

Three-phase induction motor - Squirrel cage rotor

Product line : Close Coupled Pump: Three-Phase - W22 "JP" Type - TEFC - NEMA Premium

Catalog Number : 00512ET3E215JP-W22

List Price : \$1,801

Notes:

Performed by:

Checked:



No.:

Date: 27-DEC-2012

DATA SHEET

Three-phase induction motor - Squirrel cage rotor

Customer :
Product line : Close Coupled Pump: Three-Phase - W22 "JP" Type - TEFC - NEMA Premium

Frame : 215JP
Output : 5 HP
Frequency : 60 Hz
Poles : 6
Full load speed : 1160
Slip : 3.33 %
Voltage : 208-230/460 V
Rated current : 15.1-13.7/6.83 A
Locked rotor current : 90.1/45.0 A
Locked rotor current (I_L/I_n) : 6.6
No-load current : 7.50/3.75 A
Full load torque : 22.3 lb.ft
Locked rotor torque : 190 %
Breakdown torque : 240 %
Design : B
Insulation class : F
Temperature rise : 80 K
Locked rotor time : 57 s (hot)
Service factor : 1.25
Duty cycle : S1
Ambient temperature : -20°C - +40°C
Altitude : 1000
Degree of Protection : IP55
Approximate weight : 162 lb
Moment of inertia : 1.4717 sq.ft.lb
Noise level : 55 dB(A)

	D.E.	N.D.E.	Load	Power factor	Efficiency (%)
Bearings	6309 Z-C3	6207 ZZ	100%	0.76	89.5
Regreasing interval	20000 h	---	75%	0.70	89.5
Grease amount	13 g	---	50%	0.58	88.5

Notes:

Performed by

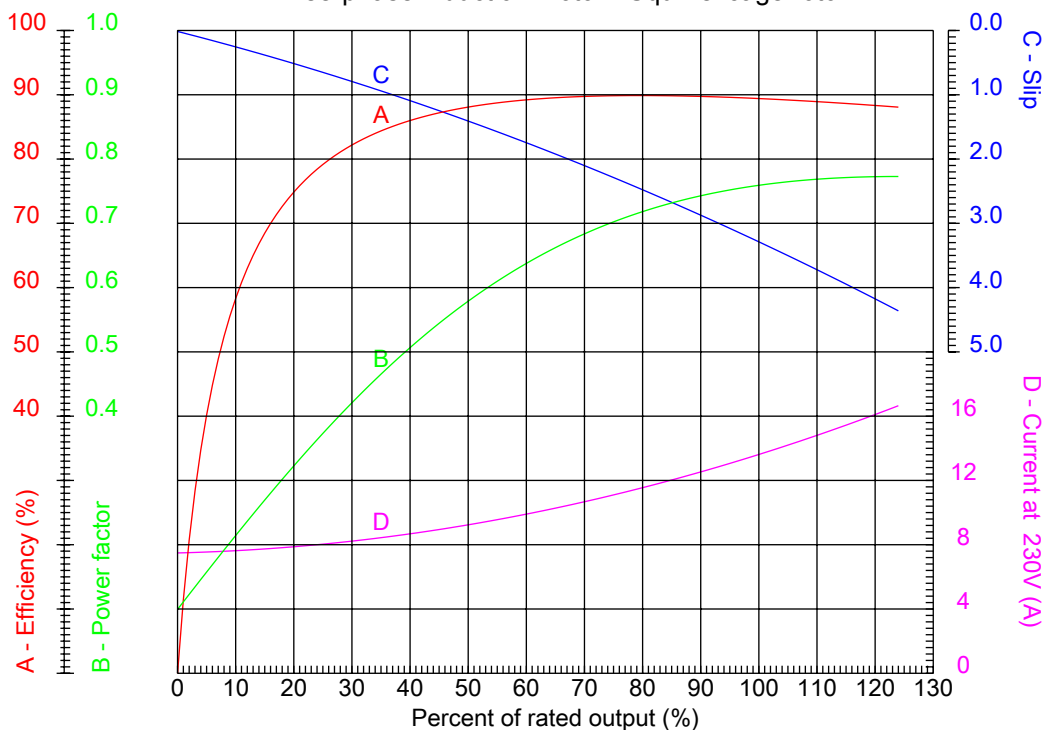
Checked



No.:

Date: 27-DEC-2012

PERFORMANCE CURVES RELATED TO RATED OUTPUT
Three-phase induction motor - Squirrel cage rotor



Customer :
Product line : Close Coupled Pump: Three-Phase - W22 "JP" Type - TEFC - NEMA Premium

Frame	: 215JP	Locked rotor current (I _l /I _n)	: 6.6
Output	: 5 HP	Duty cycle	: S1
Frequency	: 60 Hz	Service factor	: 1.25
Full load speed	: 1160	Design	: B
Voltage	: 208-230/460 V	Locked rotor torque	: 190 %
Rated current	: 15.1-13.7/6.83 A	Breakdown torque	: 240 %
Insulation class	: F		

Notes:

Performed by

Checked

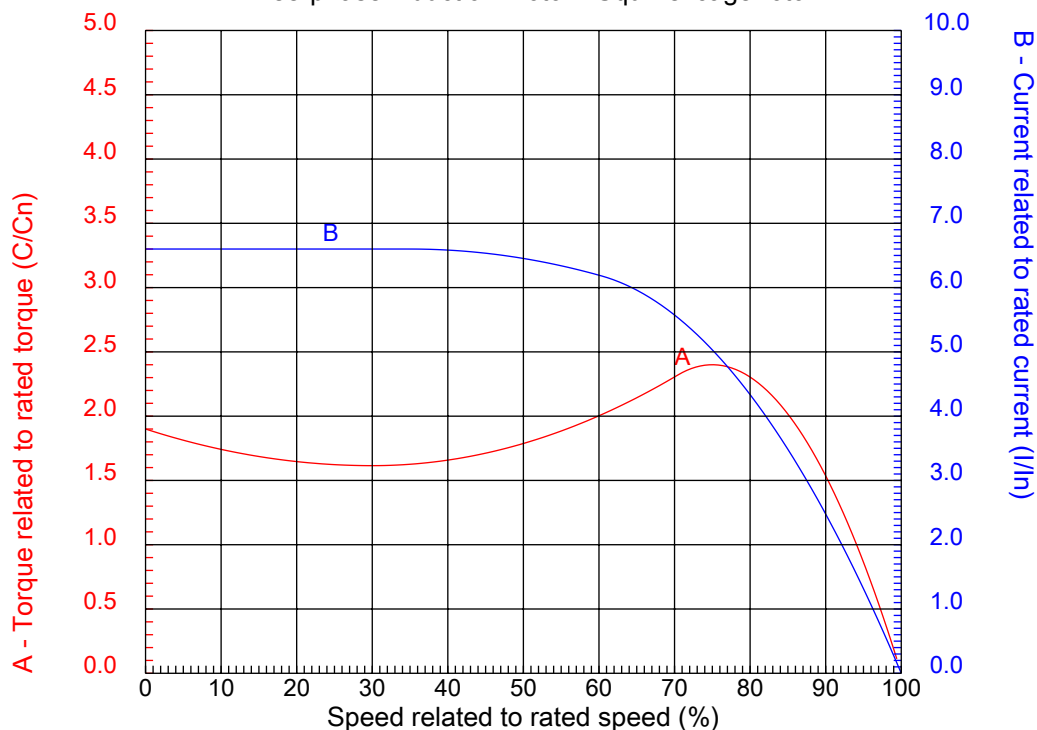


No.:

Date: 27-DEC-2012

CHARACTERISTIC CURVES RELATED TO SPEED

Three-phase induction motor - Squirrel cage rotor



Customer :
Product line : Close Coupled Pump: Three-Phase - W22 "JP" Type - TEFC - NEMA Premium

Frame	: 215JP	Locked rotor current (I _l /I _n)	: 6.6
Output	: 5 HP	Duty cycle	: S1
Frequency	: 60 Hz	Service factor	: 1.25
Full load speed	: 1160	Design	: B
Voltage	: 208-230/460 V	Locked rotor torque	: 190 %
Rated current	: 15.1-13.7/6.83 A	Breakdown torque	: 240 %
Insulation class	: F		

Notes:

Performed by

Checked

1 2 3 4 5 6 7 8

A

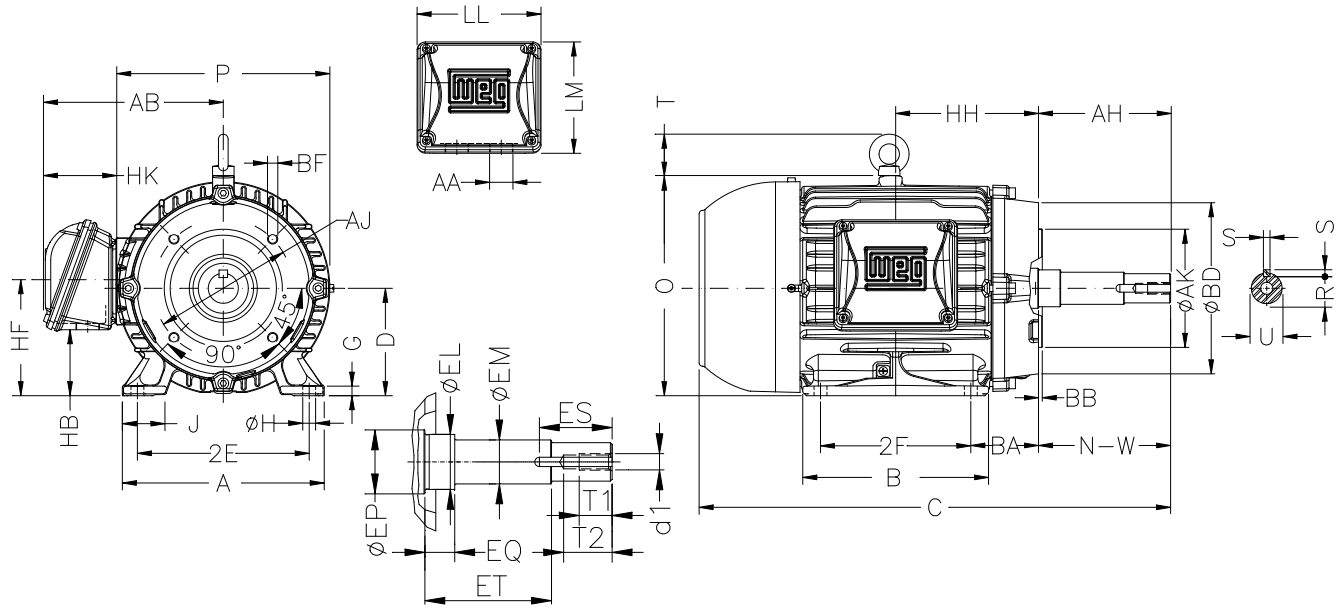
B

C

D

E

F



Notes:

2E 8.500	J 1.789	A 9.764	P 10.236	AB 8.583
2F 7.000	K 2.165	B 8.858	BA 3.500	D 5.250
G 0.646	O 10.841	T 1.772	HD 12.613	H 0.410
AA NPT 1"	ER 8.130	EQ 2.382	ET 5.886	U 1.249
EM 1.375	EL 1.750	EP 1.770	ES 2.480	t1 0.984
t2 1.496	C 24.046	Flange FC-184	AJ 7.252	AK 8.500
BD 8.858	BF UNC 1/2"x13	BB 0.248	BC ---	AH 8.130

Performed by:

Checked:

Customer:

Close Coupled Pump: Three-Phase - W22 "JP" Type - TEFC - NEMA Premium

Three-phase induction motor
Frame 215JP - IP55

27-DEC-2012

