



No.:

Date: 27-DEC-2012

Customer :

TECHNICAL PROPOSAL

Single-phase induction motor - Squirrel cage rotor

Product line : Farm Duty Motors : TEFC (IP55) - Single-Phase

Catalog Number : 00518ES1DFD184T

List Price : \$1,074

Notes:

Performed by:

Checked:



No.:

Date: 27-DEC-2012

## DATA SHEET

### Single-phase induction motor - Squirrel cage rotor

Customer :  
Product line : Farm Duty Motors : TEFC (IP55) - Single-Phase

Frame : 184T  
Output : 5 HP  
Frequency : 60 Hz  
Poles : 4  
Full load speed : 1730  
Slip : 3.89 %  
Voltage : 230 V  
Rated current : 21.4 A  
Locked rotor current : 171 A  
Locked rotor current (I<sub>L</sub>/I<sub>n</sub>) : 8.0  
No-load current : 8.40 A  
Full load torque : 15.0 lb.ft  
Locked rotor torque : 370 %  
Breakdown torque : 270 %  
Design : ---  
Insulation class : F  
Temperature rise : 80 K  
Locked rotor time : 6 s (hot)  
Service factor : 1.15  
Duty cycle : S1  
Ambient temperature : -20°C - +40°C  
Altitude : 1000  
Degree of Protection : IP55  
Approximate weight : 112 lb  
Moment of inertia : 0.43426 sq.ft.lb  
Noise level : ---

	D.E.	N.D.E.	Load	Power factor	Efficiency (%)
Bearings	6307 ZZ	6206 ZZ	100%	0.95	79.0
Regreasing interval	---	---	75%	0.92	78.0
Grease amount	---	---	50%	0.86	72.0

Notes:

Performed by

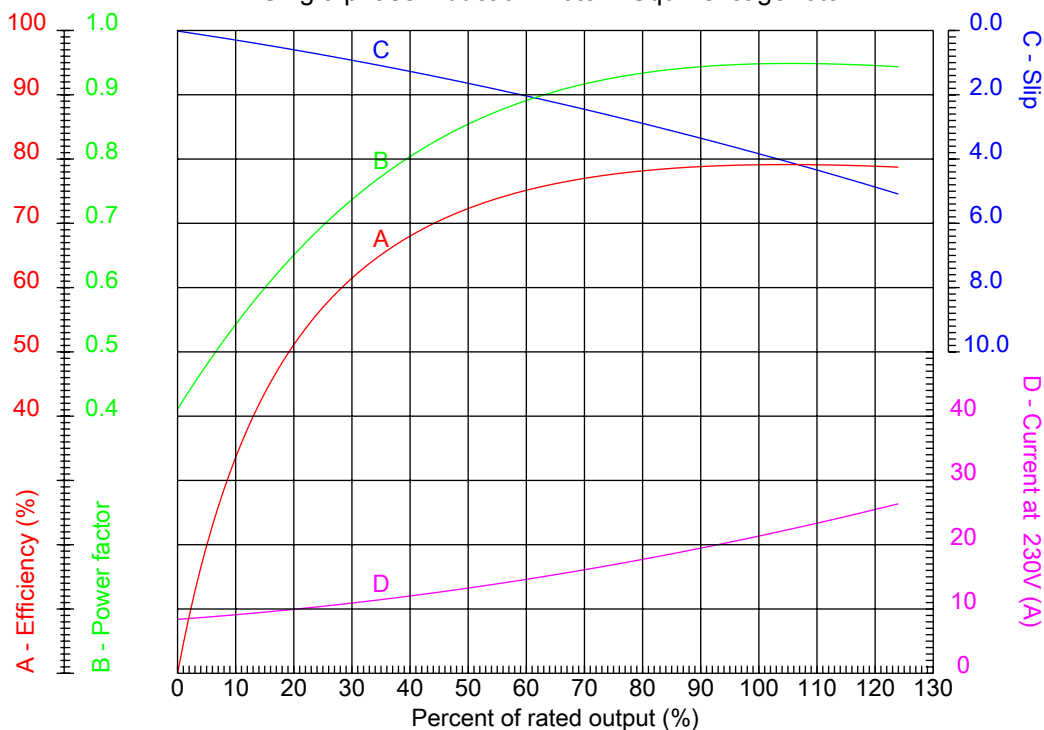
Checked



No.:

Date: 27-DEC-2012

### PERFORMANCE CURVES RELATED TO RATED OUTPUT Single-phase induction motor - Squirrel cage rotor



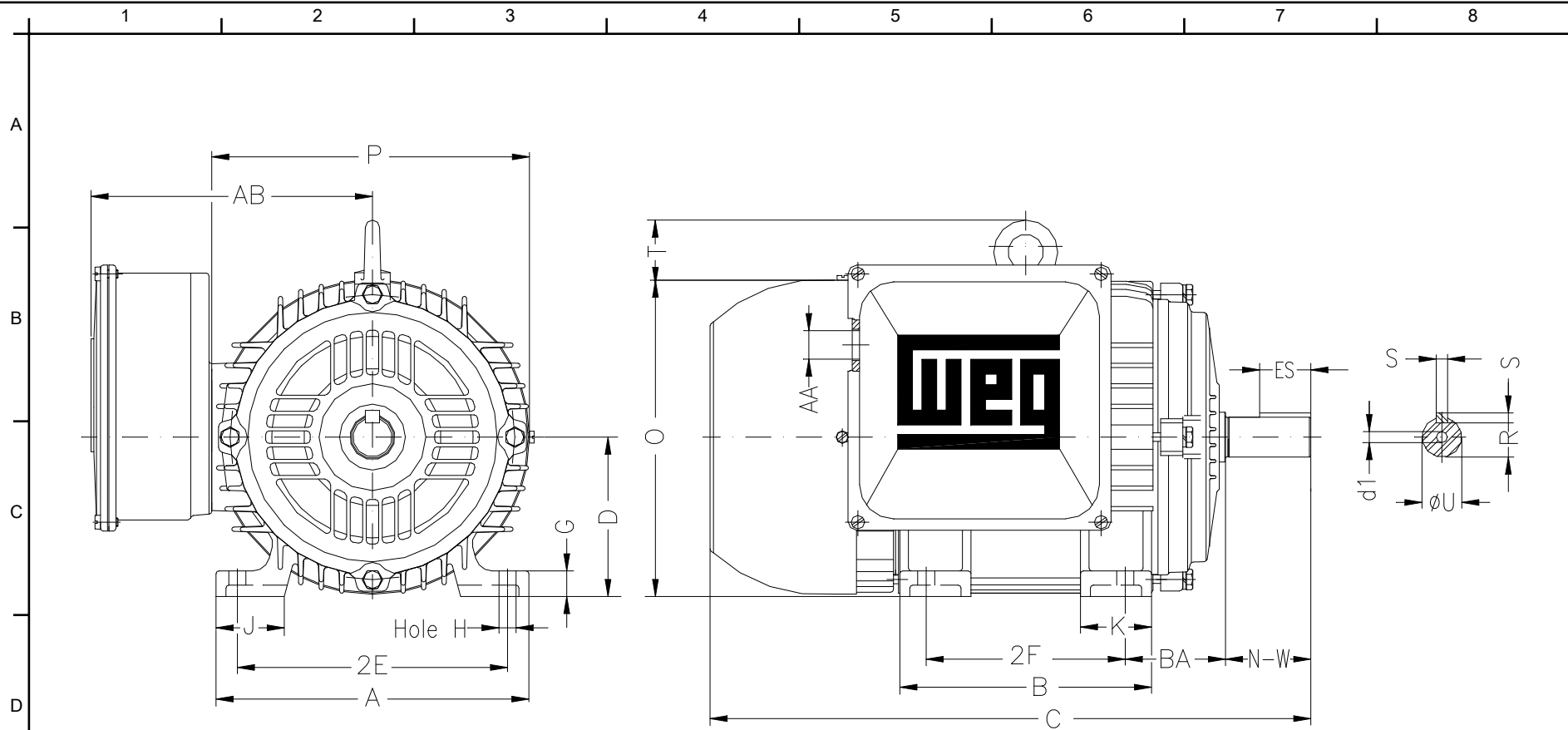
Customer :  
Product line : Farm Duty Motors : TEFC (IP55) - Single-Phase

Frame : 184T	Locked rotor current (I <sub>l</sub> /I <sub>n</sub> ) : 8.0
Output : 5 HP	Duty cycle : S1
Frequency : 60 Hz	Service factor : 1.15
Full load speed : 1730	Design : ---
Voltage : 230 V	Locked rotor torque : 370 %
Rated current : 21.4 A	Breakdown torque : 270 %
Insulation class : F	

Notes:

Performed by

Checked



Notes:

Performed by:

Checked:

Customer:

Farm Duty Motors : TEFC (IP55) - Single-Phase

2E	2F	H	BA	A
7.500	5.500	0.406	2.750	8.661
B	C	D	G	J
6.968	17.050	4.500	0.630	1.890
K	O	P	ES	S
1.968	8.267	8.820	1.968	0.250
N-W	U	R	AB	AA
2.750	1.125	0.984	7.835	NPT 3/4"
d1	Flange	AJ	AK	BD
A 4	FD-254	10.000	9.000	11.000
BF	BB			
0.590	0.190			

Single-phase induction motor  
Frame 184T - IP55

27-DEC-2012

