



No.:

Date: 28-DEC-2012

Customer :

TECHNICAL PROPOSAL

Single-phase induction motor - Squirrel cage rotor

Product line : Farm Duty Motors : TEFC (IP55) - Single-Phase

Catalog Number : 00518ES1DFD215T

List Price : \$1,205

Notes:

Performed by:

Checked:



No.:

Date: 28-DEC-2012

## DATA SHEET

### Single-phase induction motor - Squirrel cage rotor

Customer :  
Product line : Farm Duty Motors : TEFC (IP55) - Single-Phase

Frame : W213/5T  
Output : 5 HP  
Frequency : 60 Hz  
Poles : 4  
Full load speed : 1730  
Slip : 3.89 %  
Voltage : 230 V  
Rated current : 21.4 A  
Locked rotor current : 171 A  
Locked rotor current (I<sub>L</sub>/I<sub>n</sub>) : 8.0  
No-load current : 8.40 A  
Full load torque : 15.0 lb.ft  
Locked rotor torque : 370 %  
Breakdown torque : 270 %  
Design : ---  
Insulation class : F  
Temperature rise : 80 K  
Locked rotor time : 6 s (hot)  
Service factor : 1.15  
Duty cycle : S1  
Ambient temperature : -20°C - +40°C  
Altitude : 1000  
Degree of Protection : IP55  
Approximate weight : 126 lb  
Moment of inertia : 0.43426 sq.ft.lb  
Noise level : ---

	D.E.	N.D.E.	Load	Power factor	Efficiency (%)
Bearings	6308 ZZ	6206 ZZ	100%	0.95	79.0
Regreasing interval	---	---	75%	0.92	78.0
Grease amount	---	---	50%	0.86	72.0

Notes:

Performed by

Checked

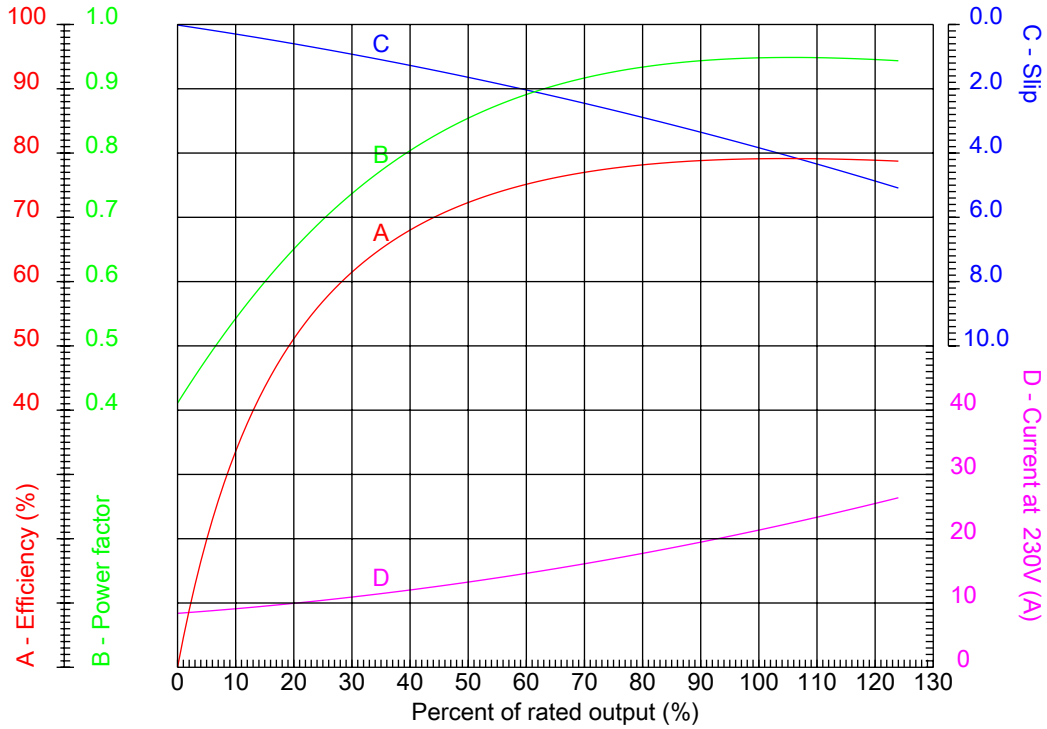


No.:

Date: 28-DEC-2012

### PERFORMANCE CURVES RELATED TO RATED OUTPUT

Single-phase induction motor - Squirrel cage rotor



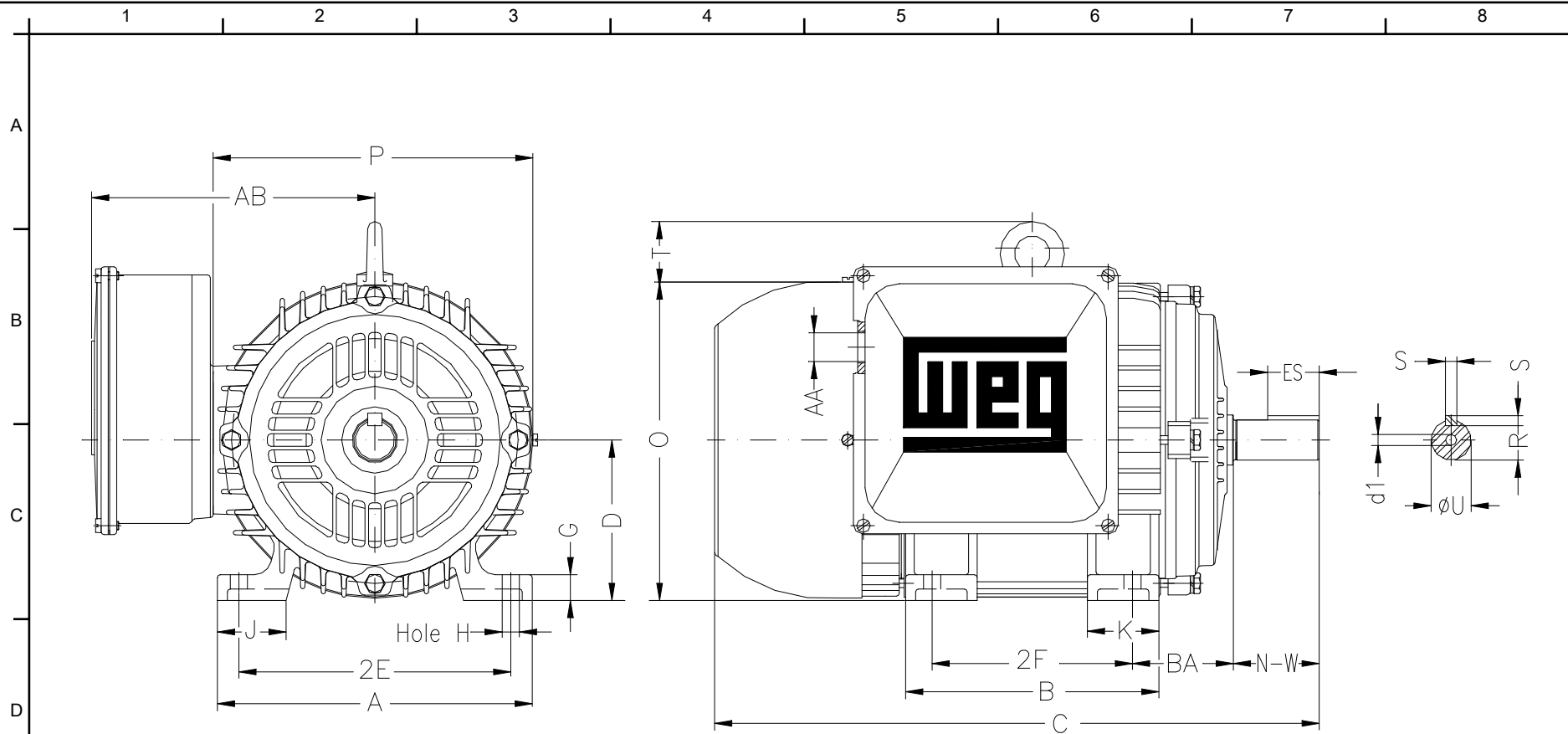
Customer :  
Product line : Farm Duty Motors : TEFC (IP55) - Single-Phase

Frame	: W213/5T	Locked rotor current (I <sub>l</sub> /I <sub>n</sub> )	: 8.0
Output	: 5 HP	Duty cycle	: S1
Frequency	: 60 Hz	Service factor	: 1.15
Full load speed	: 1730	Design	: ---
Voltage	: 230 V	Locked rotor torque	: 370 %
Rated current	: 21.4 A	Breakdown torque	: 270 %
Insulation class	: F		

Notes:

Performed by

Checked



Notes:

Performed by:

Checked:

Customer:

Farm Duty Motors : TEFC (IP55) - Single-Phase

2E	2F	H	BA	A
8.500	5.500/7.000	0.406	3.500	9.765
B	C	D	G	J
8.875	20.984	5.250	0.830	2.000
K	O	P	ES	S
3.343	9.610	8.820	2.480	0.313
N-W	U	R	AB	AA
3.375	1.375	1.203	7.953	NPT 1"
d1	Flange	AJ	AK	BD
A 4	FD-254	10.000	9.000	11.000
BF	BB			
0.590	0.190			

Single-phase induction motor  
Frame W213/5T - IP55

28-DEC-2012

