



No.:

Date: 27-DEC-2012

Customer :

TECHNICAL PROPOSAL

Three-phase induction motor - Squirrel cage rotor

Product line : Three-Phase : Explosion Proof - NEMA Premium

Catalog Number : 00518XT3ER184TC

List Price : \$1,409

Notes:

Performed by:

Checked:



No.:

Date: 27-DEC-2012

DATA SHEET

Three-phase induction motor - Squirrel cage rotor

Customer :
Product line : Three-Phase : Explosion Proof - NEMA Premium

Frame : 184T
Output : 5 HP
Frequency : 60 Hz
Poles : 4
Full load speed : 1755
Slip : 2.50 %
Voltage : 208-230/460 V
Rated current : 14.5-13.1/6.57 A
Locked rotor current : 108/53.9 A
Locked rotor current (I_L/I_n) : 8.2
No-load current : 7.20/3.60 A
Full load torque : 14.8 lb.ft
Locked rotor torque : 270 %
Breakdown torque : 330 %
Design : B
Insulation class : F
Temperature rise : 80 K
Locked rotor time : 17 s (hot)
Service factor : 1.15
Duty cycle : S1
Ambient temperature : -20°C - +40°C
Altitude : 1000
Degree of Protection : IP54
Approximate weight : 130 lb
Moment of inertia : 0.36948 sq.ft.lb
Noise level : 56 dB(A)

	D.E.	N.D.E.	Load	Power factor	Efficiency (%)
Bearings	6307 ZZ	6206 ZZ	100%	0.79	89.5
Regreasing interval	---	---	75%	0.71	88.5
Grease amount	---	---	50%	0.59	86.5

Notes:

Performed by

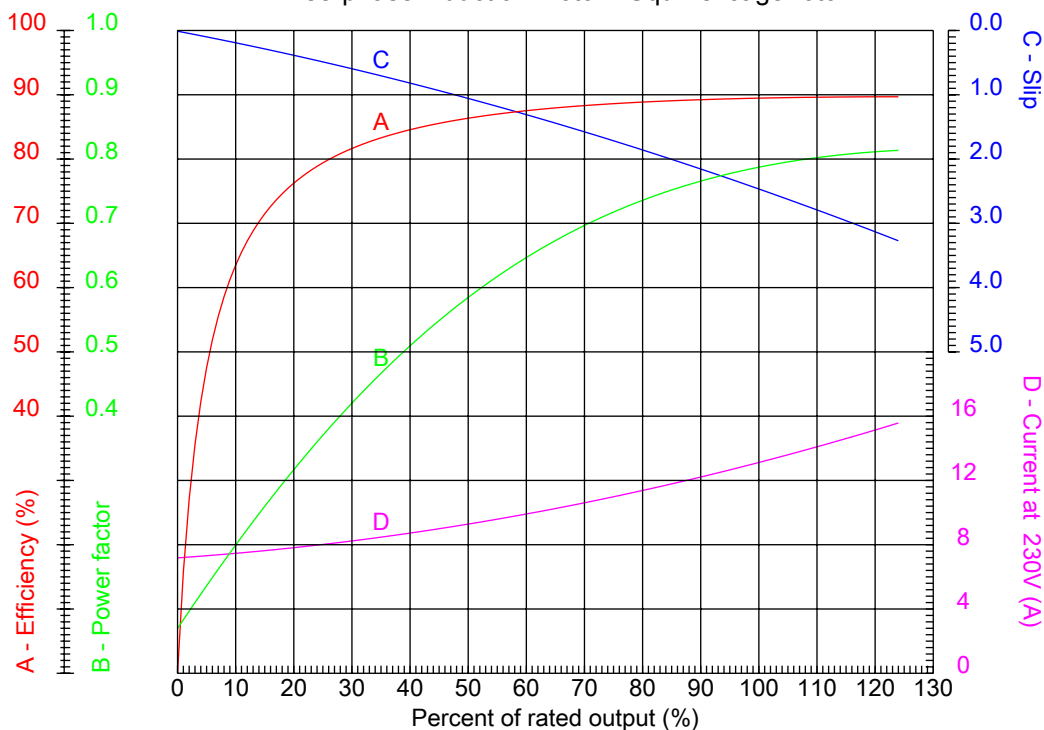
Checked



No.:

Date: 27-DEC-2012

PERFORMANCE CURVES RELATED TO RATED OUTPUT
Three-phase induction motor - Squirrel cage rotor



Customer :
Product line : Three-Phase : Explosion Proof - NEMA Premium

Frame	: 184T	Locked rotor current (I _L /I _n)	: 8.2
Output	: 5 HP	Duty cycle	: S1
Frequency	: 60 Hz	Service factor	: 1.15
Full load speed	: 1755	Design	: B
Voltage	: 208-230/460 V	Locked rotor torque	: 270 %
Rated current	: 14.5-13.1/6.57 A	Breakdown torque	: 330 %
Insulation class	: F		

Notes:

Performed by

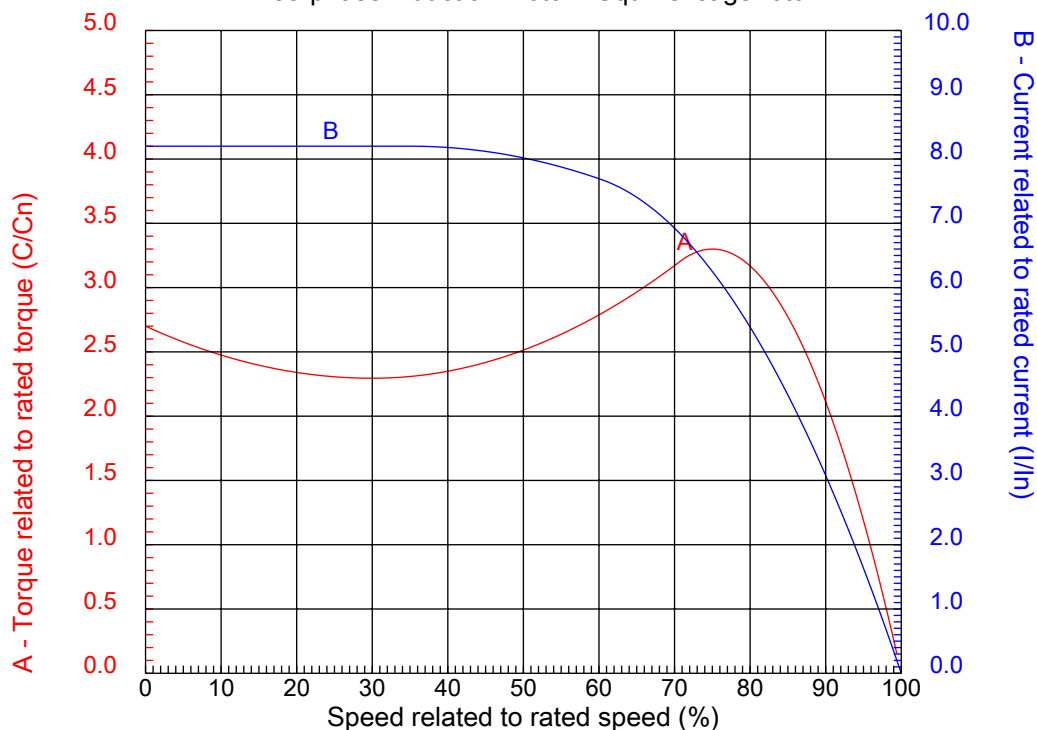
Checked



No.:

Date: 27-DEC-2012

CHARACTERISTIC CURVES RELATED TO SPEED Three-phase induction motor - Squirrel cage rotor



Customer :
Product line : Three-Phase : Explosion Proof - NEMA Premium

Frame	: 184T	Locked rotor current (I _l /I _{ln})	: 8.2
Output	: 5 HP	Duty cycle	: S1
Frequency	: 60 Hz	Service factor	: 1.15
Full load speed	: 1755	Design	: B
Voltage	: 208-230/460 V	Locked rotor torque	: 270 %
Rated current	: 14.5-13.1/6.57 A	Breakdown torque	: 330 %
Insulation class	: F		

Notes:

Performed by

Checked

1 2 3 4 5 6 7 8

A

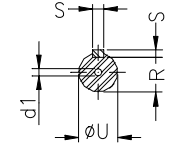
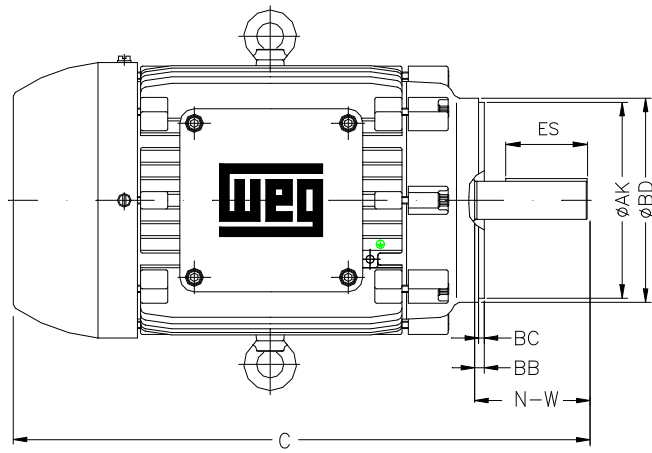
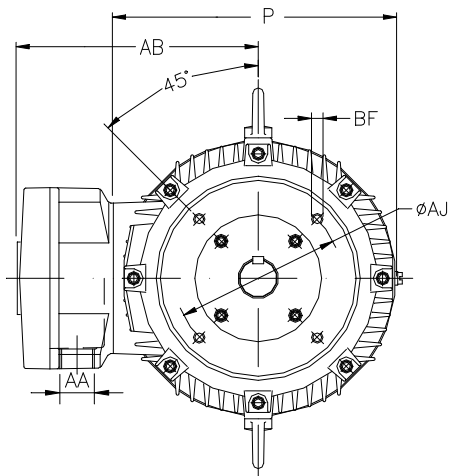
B

C

D

E

F



Notes:

Performed by:

Checked:

Customer:

Three-Phase : Explosion Proof - NEMA Premium

Three-phase induction motor
Frame 184T - IP54

27-DEC-2012



P	ES	S	depth	N-W
8.909	1.969	0.250	0.250	2.750
U	R	AB	C	AA
1.125	0.984	8.240	15.862	NPT 3/4"
d1	d2	Flange	AJ	AK
A 4	A 4	FC-184	7.250	8.500
BD	BF	BB	BC	AH
8.875	UNC 1/2"x13	0.250	0.125	2.625