



No.:

Date: 27-DEC-2012

Customer :

TECHNICAL PROPOSAL

Three-phase induction motor - Squirrel cage rotor

Product line : Three-Phase: W22 IEEE-841™ Petrochem Motors - NEMA Premium® Efficiency

Catalog Number : 00709ST3QIE256T-W22

List Price : \$5,040

Notes:

Performed by:

Checked:



No.:

Date: 27-DEC-2012

## DATA SHEET

### Three-phase induction motor - Squirrel cage rotor

Customer :  
Product line : Three-Phase: W22 IEEE-841™ Petrochem Motors - NEMA Premium® Efficiency

Frame : 256T  
Output : 7.5 HP  
Frequency : 60 Hz  
Poles : 8  
Full load speed : 880  
Slip : 2.22 %  
Voltage : 460 V  
Rated current : 11.1 A  
Locked rotor current : 58.8 A  
Locked rotor current (I<sub>L</sub>/I<sub>n</sub>) : 5.3  
No-load current : 6.50 A  
Full load torque : 44.2 lb.ft  
Locked rotor torque : 200 %  
Breakdown torque : 250 %  
Design : B  
Insulation class : F  
Temperature rise : 80 K  
Locked rotor time : 33 s (hot)  
Service factor : 1.25  
Duty cycle : S1  
Ambient temperature : -20°C - +40°C  
Altitude : 1000  
Degree of Protection : IP55  
Approximate weight : 284 lb  
Moment of inertia : 4.4311 sq.ft.lb  
Noise level : 54 dB(A)

	D.E.	N.D.E.	Load	Power factor	Efficiency (%)
Bearings	6309 C3	6209 C3	100%	0.71	87.5
Regreasing interval	20000 h	20000 h	75%	0.63	87.5
Grease amount	13 g	9 g	50%	0.50	85.5

Notes:

Performed by

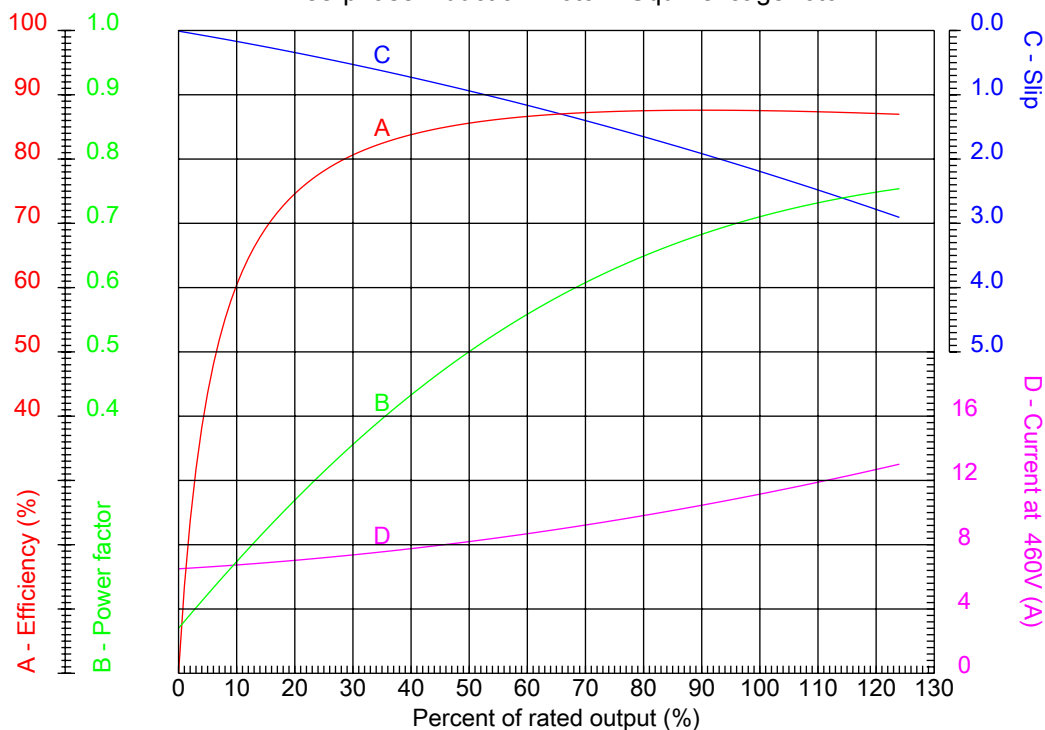
Checked



No.:

Date: 27-DEC-2012

### PERFORMANCE CURVES RELATED TO RATED OUTPUT Three-phase induction motor - Squirrel cage rotor



Customer :  
Product line : Three-Phase: W22 IEEE-841™ Petrochem Motors - NEMA Premium® Efficiency

Frame : 256T	Locked rotor current (I <sub>L</sub> /I <sub>n</sub> ) : 5.3
Output : 7.5 HP	Duty cycle : S1
Frequency : 60 Hz	Service factor : 1.25
Full load speed : 880	Design : B
Voltage : 460 V	Locked rotor torque : 200 %
Rated current : 11.1 A	Breakdown torque : 250 %
Insulation class : F	

Notes:

Performed by

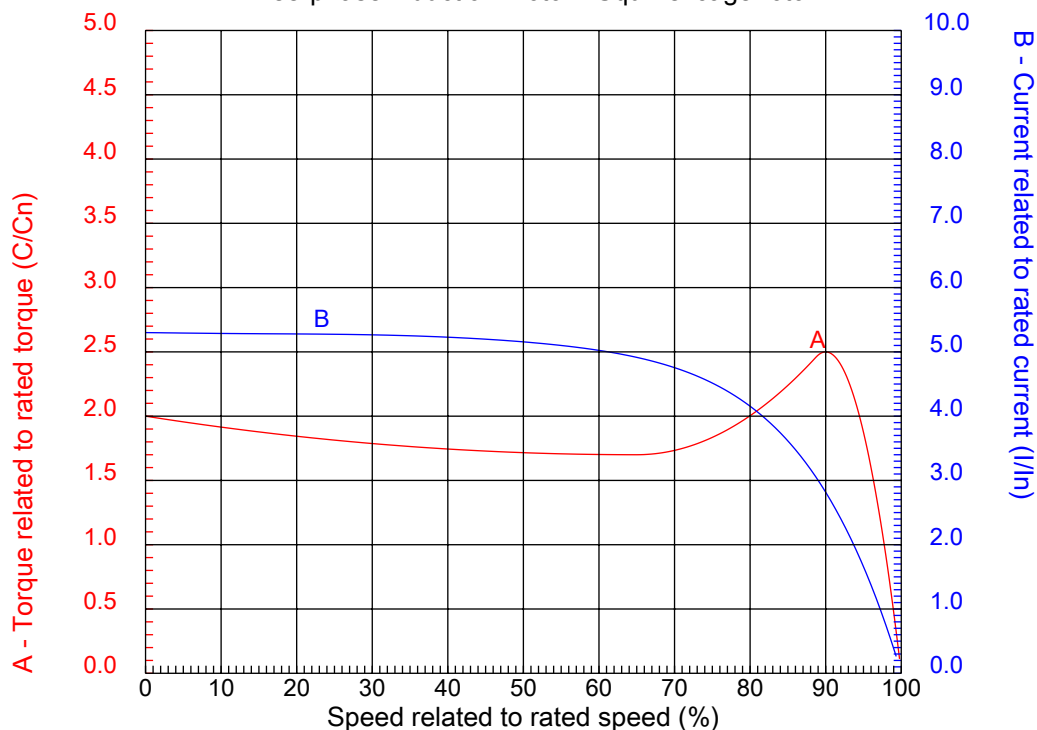
Checked



No.:

Date: 27-DEC-2012

### CHARACTERISTIC CURVES RELATED TO SPEED Three-phase induction motor - Squirrel cage rotor



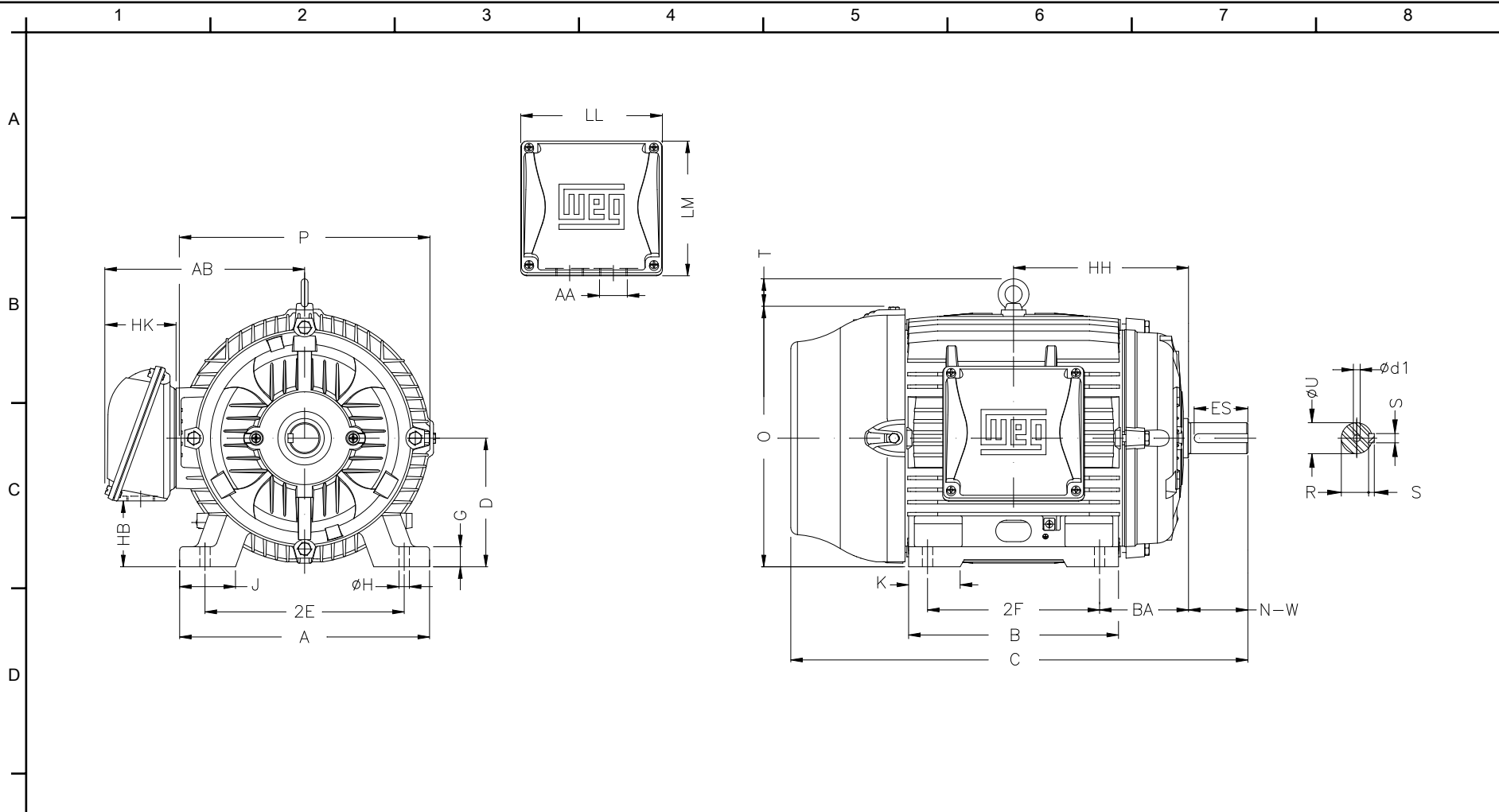
Customer :  
Product line : Three-Phase: W22 IEEE-841™ Petrochem Motors - NEMA Premium® Efficiency

Frame	: 256T	Locked rotor current (I <sub>l</sub> /I <sub>n</sub> )	: 5.3
Output	: 7.5 HP	Duty cycle	: S1
Frequency	: 60 Hz	Service factor	: 1.25
Full load speed	: 880	Design	: B
Voltage	: 460 V	Locked rotor torque	: 200 %
Rated current	: 11.1 A	Breakdown torque	: 250 %
Insulation class	: F		

Notes:

Performed by

Checked



E	2E 10.000	J 2.539	A 12.126	P 12.953	AB 10.394
	2F 10.000	K 2.559	B 11.732	BA 4.250	U 1.625
	N-W 4.000	ES 3.150	S 0.375	R 1.406	depth 0.375
	D 6.250	G 0.827	HB 3.061	O 12.598	T 2.087
	HD 14.685	HF 6.565	HH 9.250	HK 3.937	H 0.531
F	C 24.945	LL 7.795	LM 7.402	AA NPT 1 1/2"	d1 A 4
	d2 A 4	Flange FD-317	AJ 12.500	AK 11.000	BD 14.00
	BF 0.828	BB 0.203			

Notes:

Performed by:

Checked:

Customer:

Three-Phase: W22 IEEE-841™ Petrochem Motors - NEMA Premium® Efficiency

Three-phase induction motor Frame 256T - IP55	27-DEC-2012	
--	-------------	--