



No.:

Date: 27-DEC-2012

Customer :

TECHNICAL PROPOSAL

Three-phase induction motor - Squirrel cage rotor

Product line : Oil Well Pumping : High Slip - NEMA Design "D" - TEFC (IP55)

Catalog Number : 00712ES3EOW254T

List Price : \$1,688

Notes:

Performed by:

Checked:



No.:

Date: 27-DEC-2012

## DATA SHEET

### Three-phase induction motor - Squirrel cage rotor

Customer :  
Product line : Oil Well Pumping : High Slip - NEMA Design "D" - TEFC (IP55)

Frame : 254T  
Output : 7.5 HP  
Frequency : 60 Hz  
Poles : 6  
Full load speed : 1125  
Slip : 6.25 %  
Voltage : 208-230/460 V  
Rated current : 20.5-18.5/9.26 A  
Locked rotor current : 126/62.9 A  
Locked rotor current (I<sub>L</sub>/I<sub>n</sub>) : 6.8  
No-load current : 5.60/2.80 A  
Full load torque : 34.5 lb.ft  
Locked rotor torque : 320 %  
Breakdown torque : 0 %  
Design : D  
Insulation class : F  
Temperature rise : 80 K  
Locked rotor time : 14 s (hot)  
Service factor : 1.15  
Duty cycle : S1  
Ambient temperature : -20°C - +40°C  
Altitude : 1000  
Degree of Protection : IP55  
Approximate weight : 247 lb  
Moment of inertia : 3.0678 sq.ft.lb  
Noise level : 59 dB(A)

	D.E.	N.D.E.	Load	Power factor	Efficiency (%)
Bearings	6309 C3	6209 C3	100%	0.89	83.8
Regreasing interval	20000 h	20000 h	75%	0.85	85.0
Grease amount	13 g	9 g	50%	0.77	83.8

Notes:

Performed by

Checked

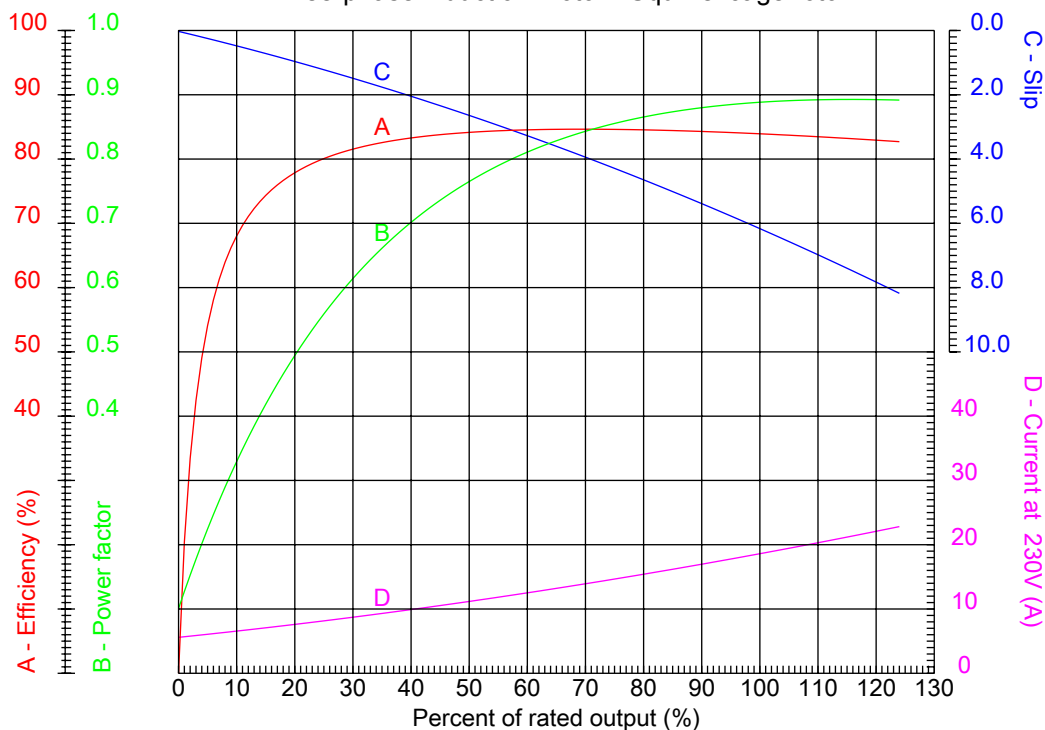


No.:

Date: 27-DEC-2012

### PERFORMANCE CURVES RELATED TO RATED OUTPUT

Three-phase induction motor - Squirrel cage rotor



Customer :  
Product line : Oil Well Pumping : High Slip - NEMA Design "D" - TEFC (IP55)

Frame	: 254T	Locked rotor current (I <sub>l</sub> /I <sub>n</sub> )	: 6.8
Output	: 7.5 HP	Duty cycle	: S1
Frequency	: 60 Hz	Service factor	: 1.15
Full load speed	: 1125	Design	: D
Voltage	: 208-230/460 V	Locked rotor torque	: 320 %
Rated current	: 20.5-18.5/9.26 A	Breakdown torque	: 0 %
Insulation class	: F		

Notes:

Performed by

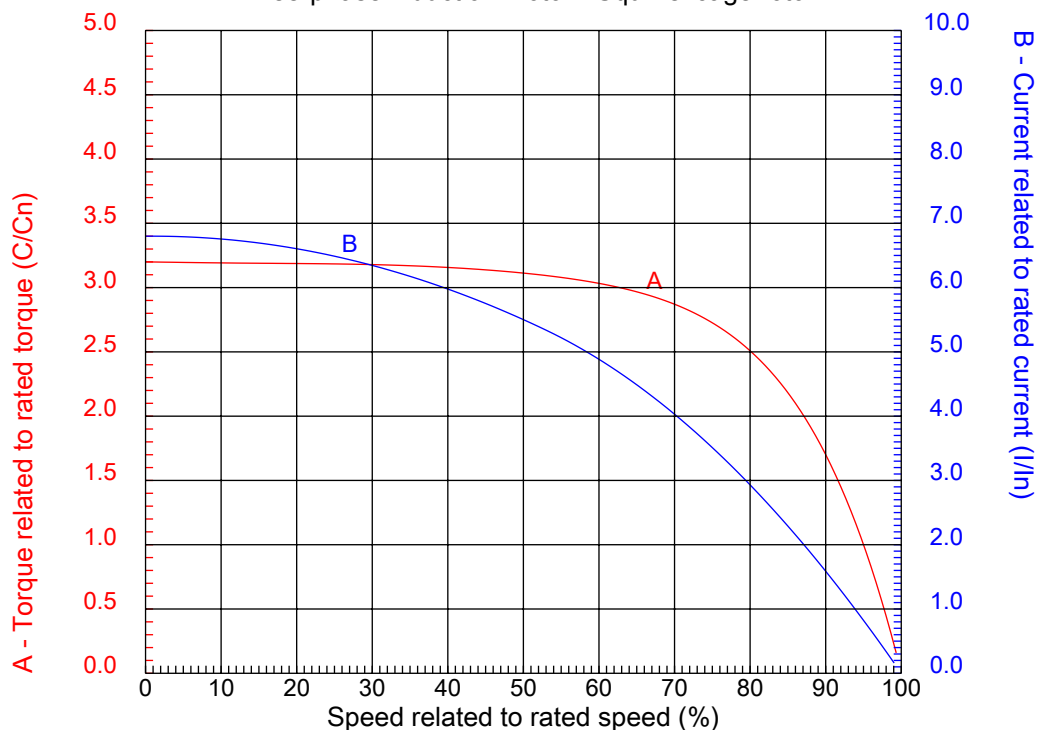
Checked



No.:

Date: 27-DEC-2012

### CHARACTERISTIC CURVES RELATED TO SPEED Three-phase induction motor - Squirrel cage rotor



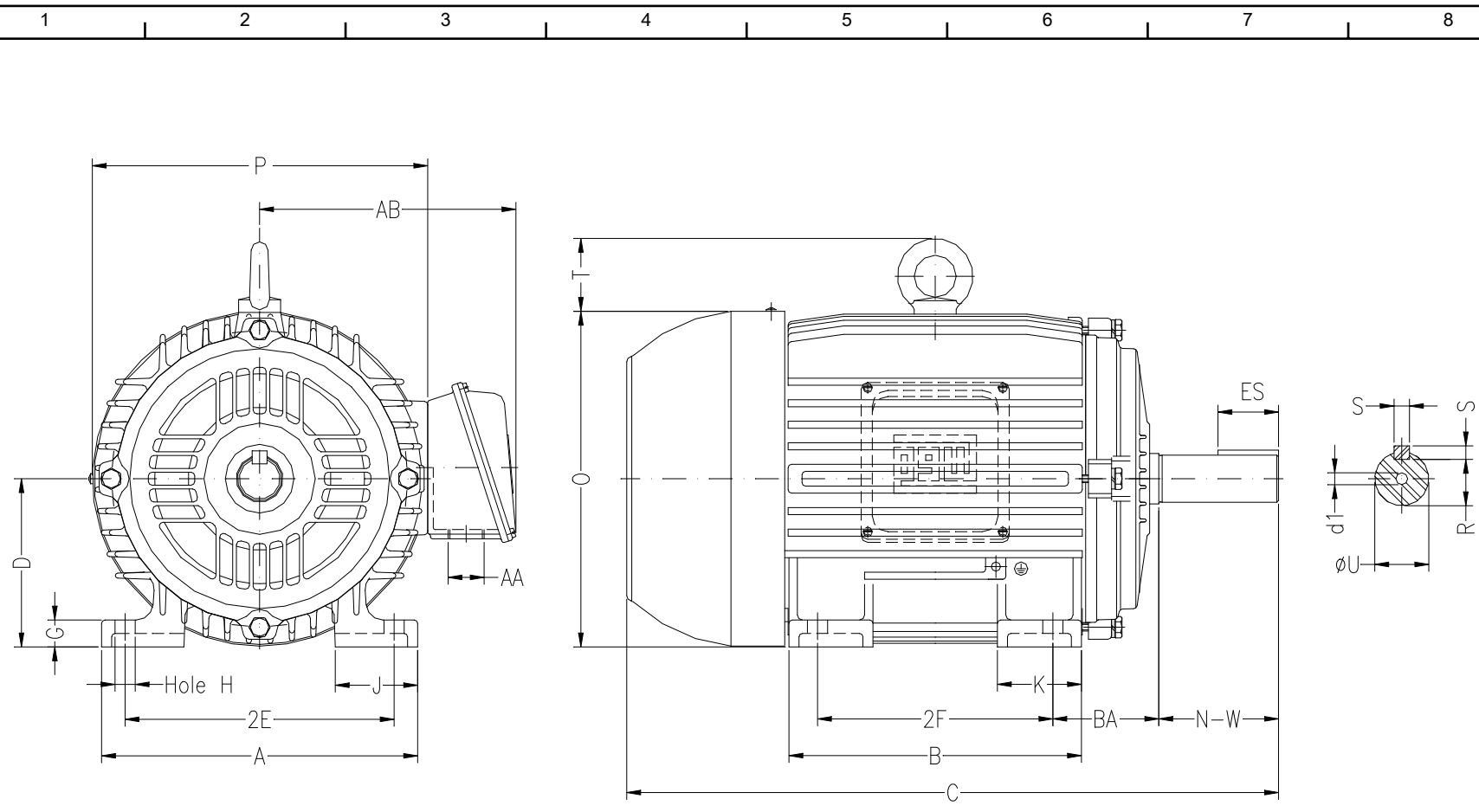
Customer :  
Product line : Oil Well Pumping : High Slip - NEMA Design "D" - TEFC (IP55)

Frame	: 254T	Locked rotor current (I <sub>l</sub> /I <sub>ln</sub> )	: 6.8
Output	: 7.5 HP	Duty cycle	: S1
Frequency	: 60 Hz	Service factor	: 1.15
Full load speed	: 1125	Design	: D
Voltage	: 208-230/460 V	Locked rotor torque	: 320 %
Rated current	: 20.5-18.5/9.26 A	Breakdown torque	: 0 %
Insulation class	: F		

Notes:

Performed by

Checked



Notes:

2E 10.000	A 12.126	2F 8.252	B 10.000	BA 4.250
J 2.520	K 2.559	P 12.283	ES 2.756	depth 0.375
S 0.375	N-W 4.000	U 1.625	R 1.406	AB 10.079
D 6.250	G 0.817	O 12.431	T 2.087	HD 14.518
H 0.531	C 23.213	AA NPT 1 1/2"	d1 A 4	d2 A 4
Flange FD-317	AJ 12.500	AK 11.000	BD 14.000	BF 0.828
BB 0.203				

Performed by:

Checked:

Customer:

Oil Well Pumping : High Slip - NEMA Design "D" - TEFC (IP55)

Three-phase induction motor  
Frame 254T - IP55

27-DEC-2012

