



No.:

Date: 27-DEC-2012

Customer :

TECHNICAL PROPOSAL

Three-phase induction motor - Squirrel cage rotor

Product line : Close Coupled Pump : Three-Phase - "JM" Type - ODP - NEMA Premium

Catalog Number : 00712OT3E254JM

List Price : \$1,985

Notes:

Performed by:

Checked:



No.:

Date: 27-DEC-2012

DATA SHEET

Three-phase induction motor - Squirrel cage rotor

Customer :
 Product line : Close Coupled Pump : Three-Phase - "JM" Type - ODP - NEMA Premium

Frame : 254JM
 Output : 7.5 HP
 Frequency : 60 Hz
 Poles : 6
 Full load speed : 1175
 Slip : 2.08 %
 Voltage : 208-230/460 V
 Rated current : 21.4-19.4/9.69 A
 Locked rotor current : 134/66.9 A
 Locked rotor current (I_L/I_n) : 6.9
 No-load current : 10.4/5.20 A
 Full load torque : 33.1 lb.ft
 Locked rotor torque : 240 %
 Breakdown torque : 300 %
 Design : B
 Insulation class : F
 Temperature rise : 80 K
 Locked rotor time : 12 s (hot)
 Service factor : 1.15
 Duty cycle : S1
 Ambient temperature : -20°C - +40°C
 Altitude : 1000
 Degree of Protection : IP23
 Approximate weight : 232 lb
 Moment of inertia : 2.7268 sq.ft.lb
 Noise level : 56 dB(A)

	D.E.	N.D.E.	Load	Power factor	Efficiency (%)
Bearings	6309 Z-C3	6209 Z-C3	100%	0.79	90.2
Regreasing interval	20000 h	20000 h	75%	0.72	89.5
Grease amount	13 g	9 g	50%	0.59	87.5

Notes:

Performed by

Checked

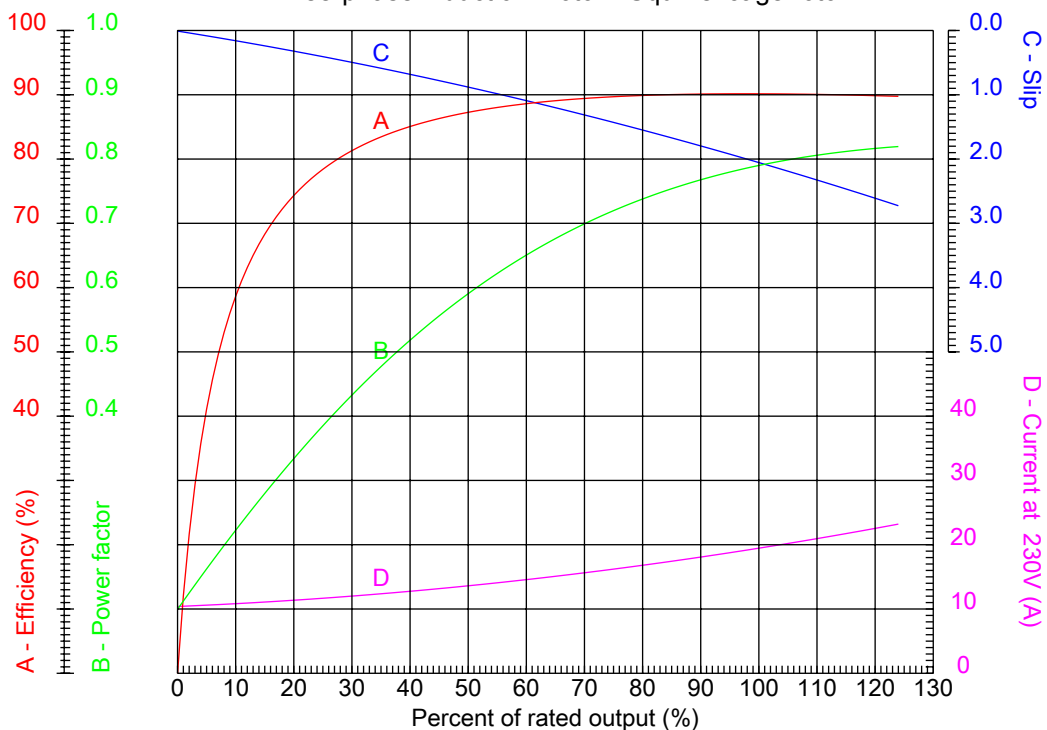


No.:

Date: 27-DEC-2012

PERFORMANCE CURVES RELATED TO RATED OUTPUT

Three-phase induction motor - Squirrel cage rotor



Customer :
Product line : Close Coupled Pump : Three-Phase - "JM" Type - ODP - NEMA Premium

Frame	: 254JM	Locked rotor current (I _l /I _n)	: 6.9
Output	: 7.5 HP	Duty cycle	: S1
Frequency	: 60 Hz	Service factor	: 1.15
Full load speed	: 1175	Design	: B
Voltage	: 208-230/460 V	Locked rotor torque	: 240 %
Rated current	: 21.4-19.4/9.69 A	Breakdown torque	: 300 %
Insulation class	: F		

Notes:

Performed by

Checked

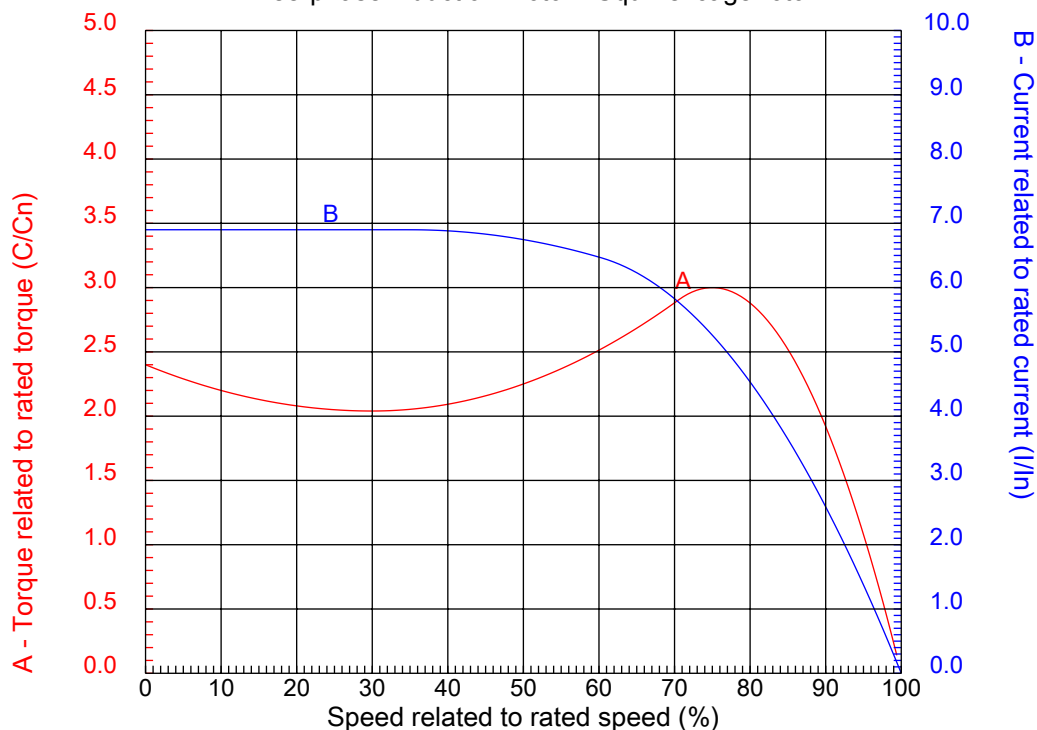


No.:

Date: 27-DEC-2012

CHARACTERISTIC CURVES RELATED TO SPEED

Three-phase induction motor - Squirrel cage rotor



Customer :
Product line : Close Coupled Pump : Three-Phase - "JM" Type - ODP - NEMA Premium

Frame	: 254JM	Locked rotor current (I _l /I _n)	: 6.9
Output	: 7.5 HP	Duty cycle	: S1
Frequency	: 60 Hz	Service factor	: 1.15
Full load speed	: 1175	Design	: B
Voltage	: 208-230/460 V	Locked rotor torque	: 240 %
Rated current	: 21.4-19.4/9.69 A	Breakdown torque	: 300 %
Insulation class	: F		

Notes:

Performed by

Checked

1 2 3 4 5 6 7 8

A

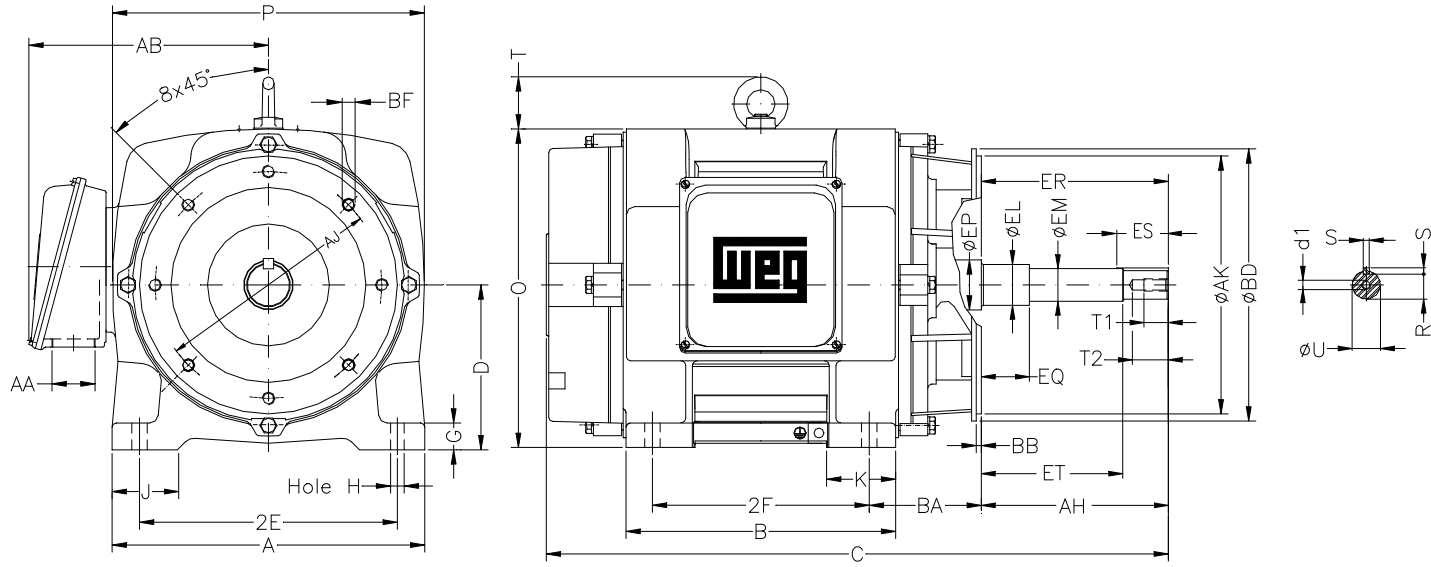
B

C

D

E

F



Notes:

2E	A	2F	B	J
10.000	12.130	8.250	10.100	2.520
BA	D	K	G	O
4.500	6.220	2.560	0.787	12.204
P	T	HD	H	AA
11.812	2.165	14.369	0.531	NPT 1 1/2"
ER	EQ	ET	U	EM
5.250	0.630	3.006	1.249	1.375
EL	S	EP	R	ES
1.750	0.250	1.750	1.110	2.480
d1	t1	t2	C	Flange
EUNC 1/2"-13	0.984	1.496	22.169	FC-184
AJ	AK	BD	BF	BB
7.250	8.500	8.858	UNC 1/2"x13	0.250
BC	AH			
	5.250			

Performed by:

Checked:

Customer:

Close Coupled Pump : Three-Phase - "JM" Type - ODP - NEMA Premium

Three-phase induction motor
Frame 254JM - IP23

27-DEC-2012

