



No.:

Date: 27-DEC-2012

Customer :

TECHNICAL PROPOSAL

Three-phase induction motor - Squirrel cage rotor

Product line : Three-Phase : Explosion Proof - NEMA Premium

Catalog Number : 00712XT3H254T

List Price : \$2,483

Notes:

Performed by:

Checked:



No.:

Date: 27-DEC-2012

DATA SHEET

Three-phase induction motor - Squirrel cage rotor

Customer :
Product line : Three-Phase : Explosion Proof - NEMA Premium

Frame : 254T
Output : 7.5 HP
Frequency : 60 Hz
Poles : 6
Full load speed : 1175
Slip : 2.08 %
Voltage : 575 V
Rated current : 7.78 A
Locked rotor current : 54.5 A
Locked rotor current (I_L/I_n) : 7.0
No-load current : 4.16 A
Full load torque : 33.1 lb.ft
Locked rotor torque : 270 %
Breakdown torque : 320 %
Design : B
Insulation class : F
Temperature rise : 80 K
Locked rotor time : 25 s (hot)
Service factor : 1.15
Duty cycle : S1
Ambient temperature : -20°C - +40°C
Altitude : 1000
Degree of Protection : IP54
Approximate weight : 309 lb
Moment of inertia : 3.3236 sq.ft.lb
Noise level : 59 dB(A)

	D.E.	N.D.E.	Load	Power factor	Efficiency (%)
Bearings	6309 C3	6209 Z-C3	100%	0.78	91.0
Regreasing interval	20000 h	20000 h	75%	0.71	90.2
Grease amount	13 g	9 g	50%	0.58	88.5

Notes:

Performed by

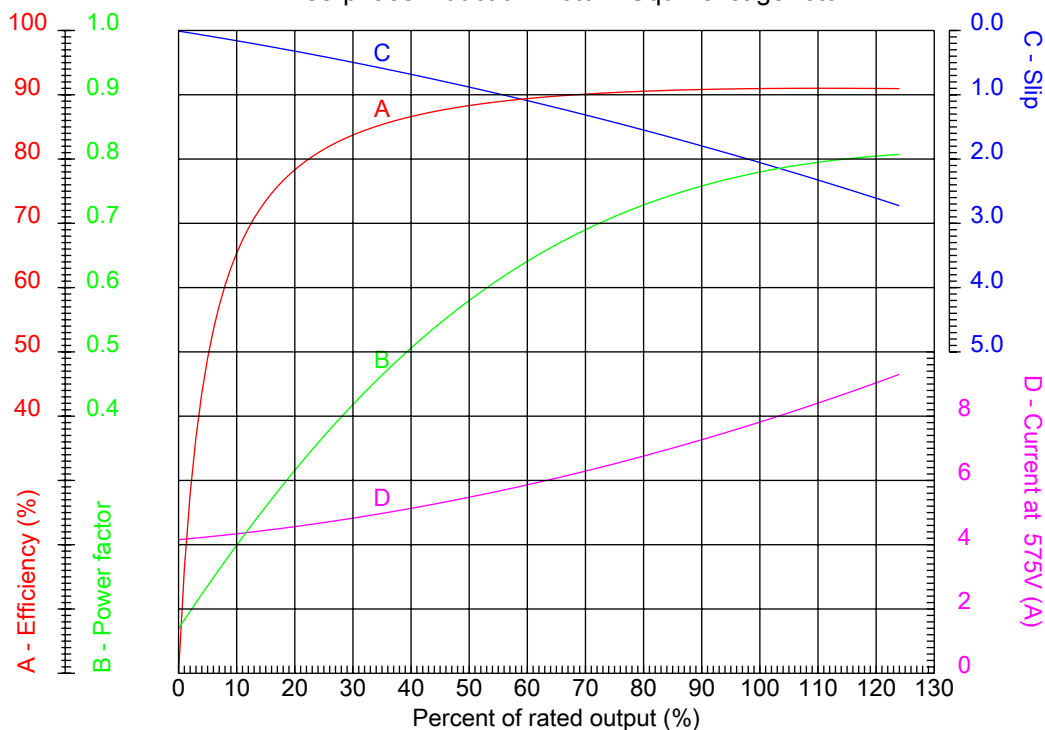
Checked



No.:

Date: 27-DEC-2012

PERFORMANCE CURVES RELATED TO RATED OUTPUT Three-phase induction motor - Squirrel cage rotor



Customer :
Product line : Three-Phase : Explosion Proof - NEMA Premium

Frame : 254T	Locked rotor current (I _L /I _n) : 7.0
Output : 7.5 HP	Duty cycle : S1
Frequency : 60 Hz	Service factor : 1.15
Full load speed : 1175	Design : B
Voltage : 575 V	Locked rotor torque : 270 %
Rated current : 7.78 A	Breakdown torque : 320 %
Insulation class : F	

Notes:

Performed by

Checked

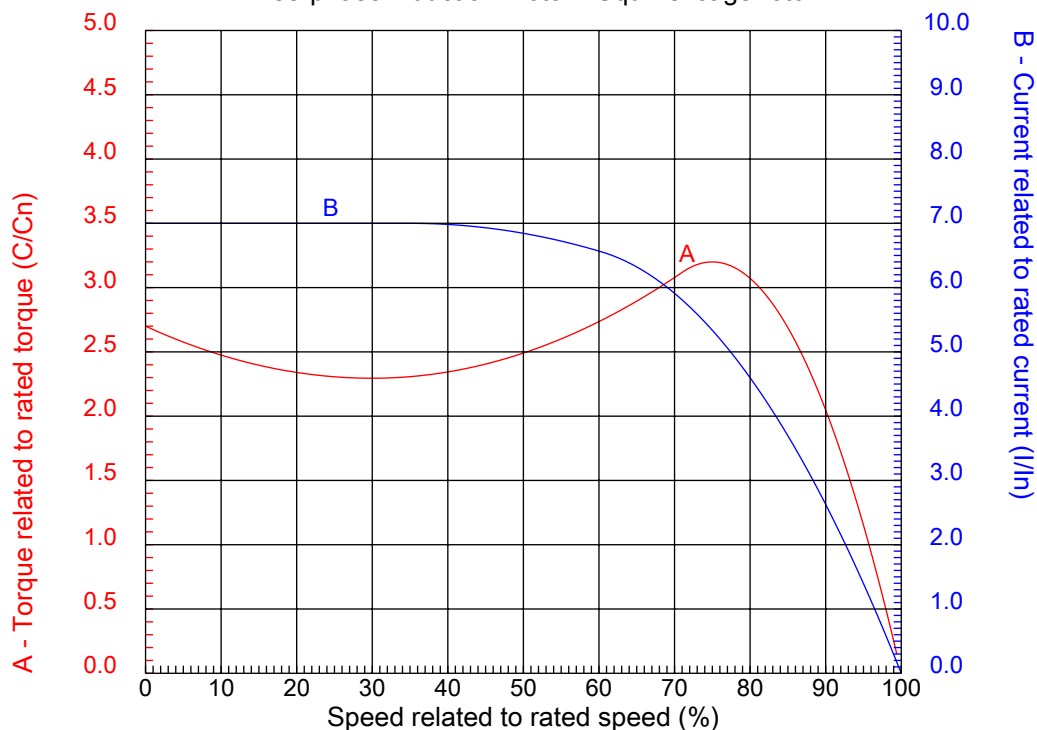


No.:

Date: 27-DEC-2012

CHARACTERISTIC CURVES RELATED TO SPEED

Three-phase induction motor - Squirrel cage rotor



Customer :
Product line : Three-Phase : Explosion Proof - NEMA Premium

Frame	: 254T	Locked rotor current (I _l /I _n)	: 7.0
Output	: 7.5 HP	Duty cycle	: S1
Frequency	: 60 Hz	Service factor	: 1.15
Full load speed	: 1175	Design	: B
Voltage	: 575 V	Locked rotor torque	: 270 %
Rated current	: 7.78 A	Breakdown torque	: 320 %
Insulation class	: F		

Notes:

Performed by

Checked

1 2 3 4 5 6 7 8

A

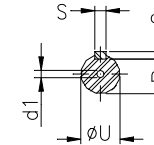
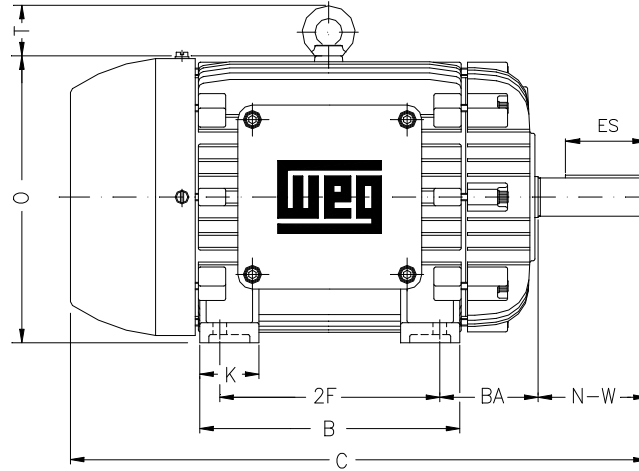
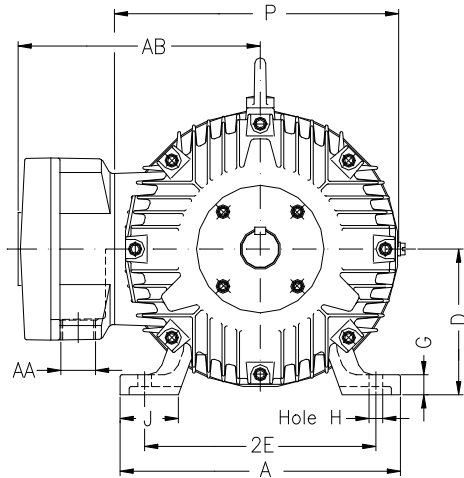
B

C

D

E

F



Notes:

Performed by:

Checked:

Customer:

Three-Phase : Explosion Proof - NEMA Premium

Three-phase induction motor
Frame 254T - IP54

27-DEC-2012



2E 10.000	A 12.126	2F 8.252	B 10.000	BA 4.250
J 2.520	K 2.559	P 12.224	ES 2.756	depth 0.375
S 0.375	N-W 4.000	U 1.625	R 1.406	AB 11.063
D 6.250	G 0.817	O 12.352	HD 14.439	H 0.531
C 23.175	AA NPT 1 1/2"	d1 A 4	d2 A 4	T 2.087
Flange FD-317	AJ 12.500	AK 11.000	BD 14.000	BF 0.828
BB 0.203				