



No.:

Date: 27-DEC-2012

Customer :

TECHNICAL PROPOSAL  
Single-phase induction motor - Squirrel cage rotor

Product line : Farm Duty Motors : TEFC (IP55) - Single-Phase

Catalog Number : 00718ES1DFD215Z

List Price : \$1,463

Notes:

Performed by:

Checked:



No.:

Date: 27-DEC-2012

## DATA SHEET

### Single-phase induction motor - Squirrel cage rotor

Customer :  
Product line : Farm Duty Motors : TEFC (IP55) - Single-Phase

Frame : 215TZ  
Output : 7.5 HP  
Frequency : 60 Hz  
Poles : 4  
Full load speed : 1730  
Slip : 3.89 %  
Voltage : 230 V  
Rated current : 33.0 A  
Locked rotor current : 248 A  
Locked rotor current (I<sub>L</sub>/I<sub>n</sub>) : 7.5  
No-load current : 18.0 A  
Full load torque : 22.5 lb.ft  
Locked rotor torque : 400 %  
Breakdown torque : 260 %  
Design : ---  
Insulation class : F  
Temperature rise : 80 K  
Locked rotor time : 6 s (hot)  
Service factor : 1.15  
Duty cycle : S1  
Ambient temperature : -20°C - +40°C  
Altitude : 1000  
Degree of Protection : IP55  
Approximate weight : 157 lb  
Moment of inertia : 0.88276 sq.ft.lb  
Noise level : ---

	D.E.	N.D.E.	Load	Power factor	Efficiency (%)
Bearings	6308 ZZ	6206 ZZ	100%	0.90	83.0
Regreasing interval	---	---	75%	0.81	81.0
Grease amount	---	---	50%	0.71	77.0

Notes:

Performed by

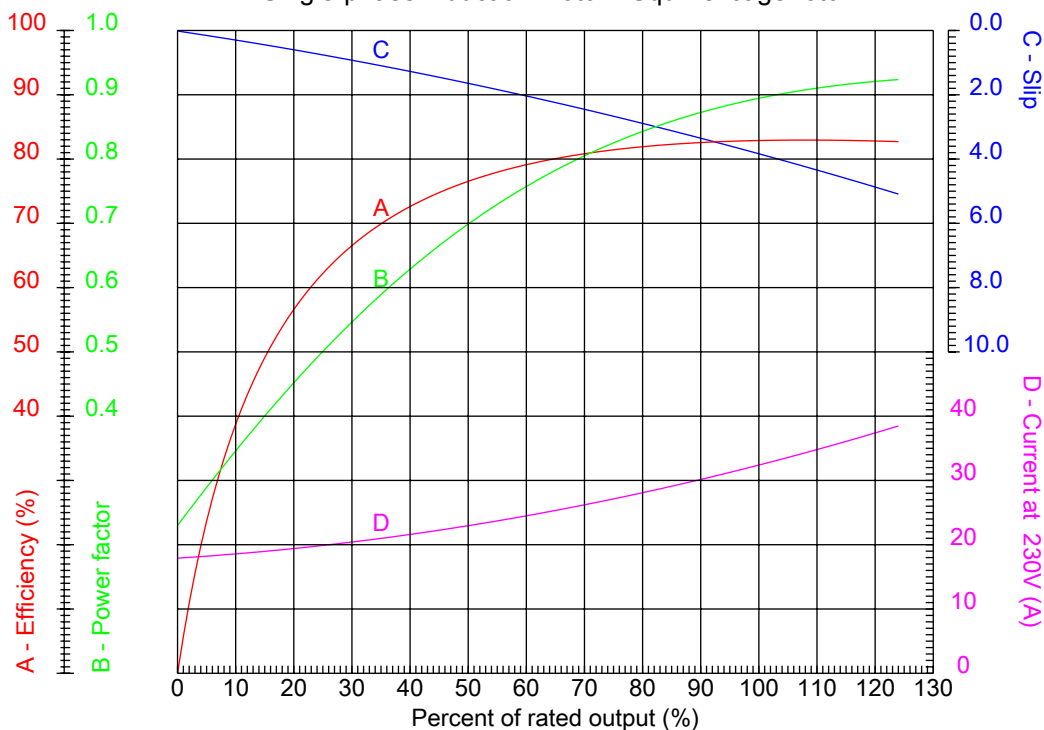
Checked



No.:

Date: 27-DEC-2012

### PERFORMANCE CURVES RELATED TO RATED OUTPUT Single-phase induction motor - Squirrel cage rotor



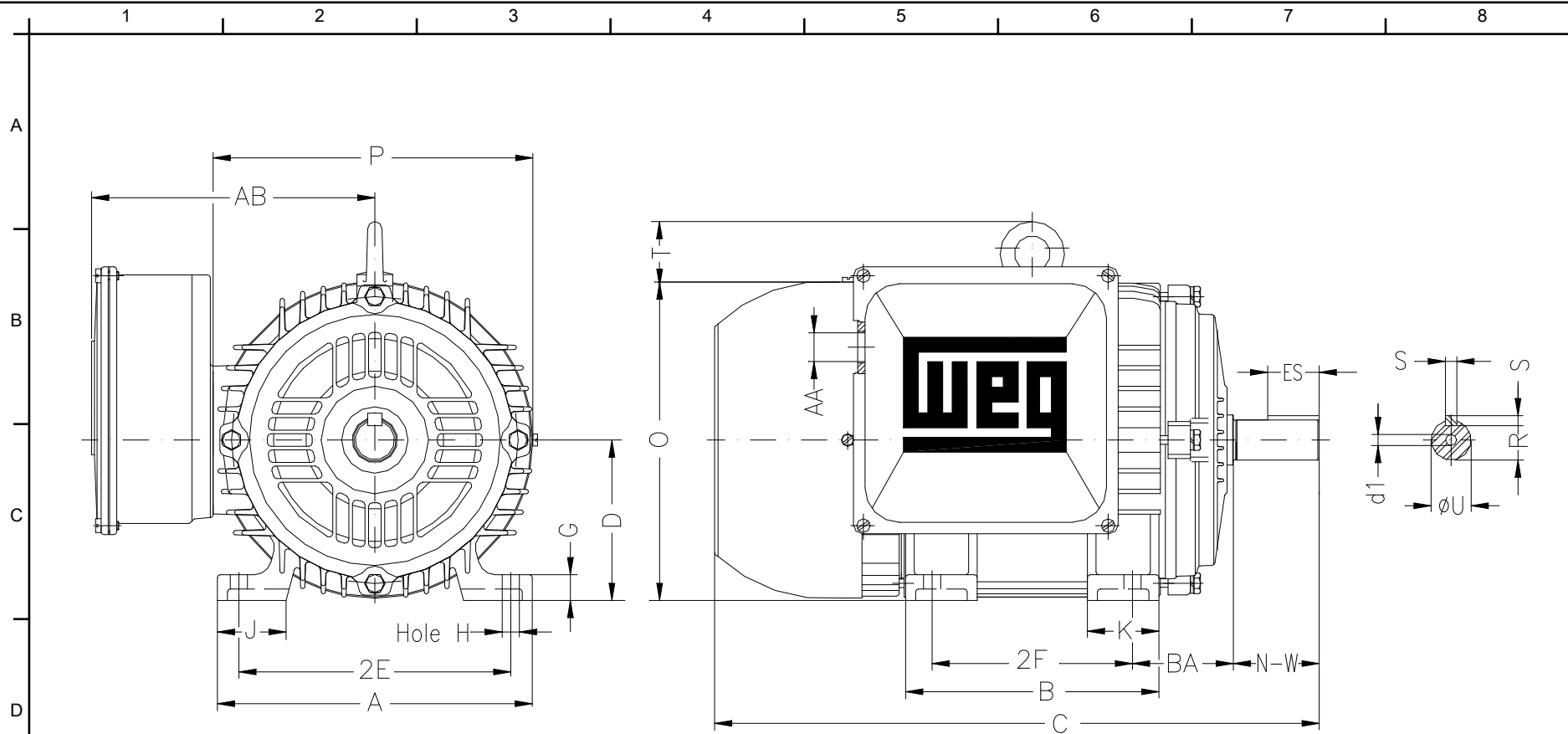
Customer :  
Product line : Farm Duty Motors : TEFC (IP55) - Single-Phase

Frame	: 215TZ	Locked rotor current (I <sub>l</sub> /I <sub>n</sub> )	: 7.5
Output	: 7.5 HP	Duty cycle	: S1
Frequency	: 60 Hz	Service factor	: 1.15
Full load speed	: 1730	Design	: ---
Voltage	: 230 V	Locked rotor torque	: 400 %
Rated current	: 33.0 A	Breakdown torque	: 260 %
Insulation class	: F		

Notes:

Performed by

Checked



Notes:

Performed by:

Checked:

Customer:

Farm Duty Motors : TEFC (IP55) - Single-Phase

Single-phase induction motor  
Frame 215TZ - IP55

27-DEC-2012



	2E 8.500	2F 7.000	H 0.406	BA 3.500	A 9.765
	B 8.875	C 19.567	D 5.250	G 0.830	J 2.000
	K 2.165	O 9.610	P 10.630	ES 1.968	S 0.250
F	N-W 3.375	U 1.125	R 0.986	AB 9.055	AA NPT 1"
	d1 A 4	Flange FD-254	AJ 10.000	AK 9.000	BD 11.000
	BF 0.590	BB 0.190			