



No.:

Date: 27-DEC-2012

Customer :

TECHNICAL PROPOSAL
Three-phase induction motor - Squirrel cage rotor

Product line : Three-Phase: W22 IEEE-841™ Petrochem Motors - NEMA Premium® Efficiency

Catalog Number : 00718ST3QIE213TC-W22

List Price : \$1,726

Notes:

Performed by:

Checked:



No.:

Date: 27-DEC-2012

DATA SHEET

Three-phase induction motor - Squirrel cage rotor

Customer :
Product line : Three-Phase: W22 IEEE-841™ Petrochem Motors - NEMA Premium® Efficiency

Frame : 213T
Output : 7.5 HP
Frequency : 60 Hz
Poles : 4
Full load speed : 1765
Slip : 1.94 %
Voltage : 460 V
Rated current : 9.00 A
Locked rotor current : 63.9 A
Locked rotor current (I_L/I_n) : 7.1
No-load current : 4.05 A
Full load torque : 22.0 lb.ft
Locked rotor torque : 220 %
Breakdown torque : 310 %
Design : B
Insulation class : F
Temperature rise : 80 K
Locked rotor time : 20 s (hot)
Service factor : 1.25
Duty cycle : S1
Ambient temperature : -20°C - +40°C
Altitude : 1000
Degree of Protection : IP55
Approximate weight : 154 lb
Moment of inertia : 1.3436 sq.ft.lb
Noise level : 58 dB(A)

	D.E.	N.D.E.	Load	Power factor	Efficiency (%)
Bearings	6308 C3	6207 C3	100%	0.84	91.7
Regreasing interval	20000 h	20000 h	75%	0.78	91.0
Grease amount	11 g	7 g	50%	0.67	89.5

Notes:

Performed by

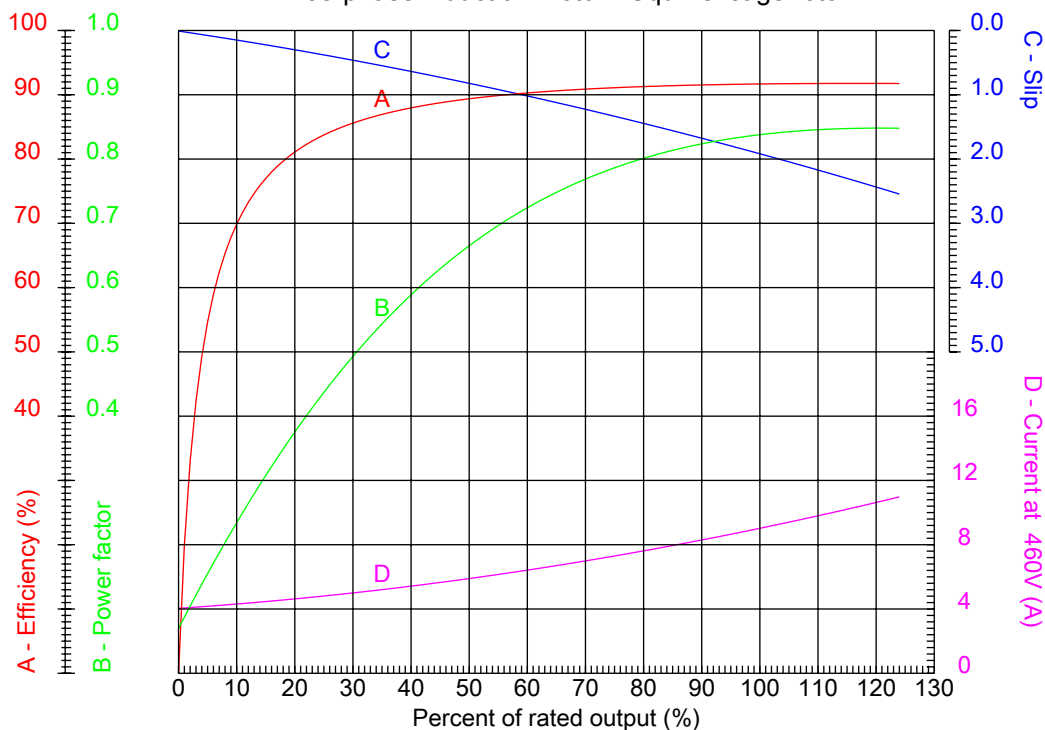
Checked



No.:

Date: 27-DEC-2012

PERFORMANCE CURVES RELATED TO RATED OUTPUT
Three-phase induction motor - Squirrel cage rotor



Customer :
Product line : Three-Phase: W22 IEEE-841™ Petrochem Motors - NEMA Premium® Efficiency

Frame : 213T	Locked rotor current (I _L /I _n) : 7.1
Output : 7.5 HP	Duty cycle : S1
Frequency : 60 Hz	Service factor : 1.25
Full load speed : 1765	Design : B
Voltage : 460 V	Locked rotor torque : 220 %
Rated current : 9.00 A	Breakdown torque : 310 %
Insulation class : F	

Notes:

Performed by

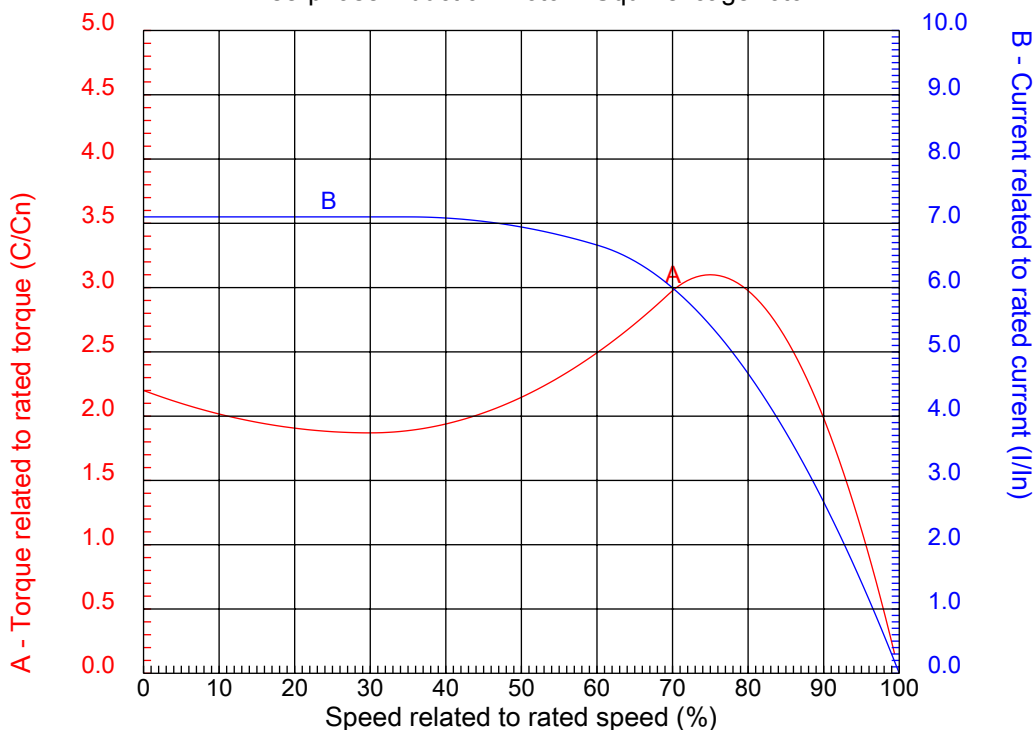
Checked



No.:

Date: 27-DEC-2012

CHARACTERISTIC CURVES RELATED TO SPEED Three-phase induction motor - Squirrel cage rotor



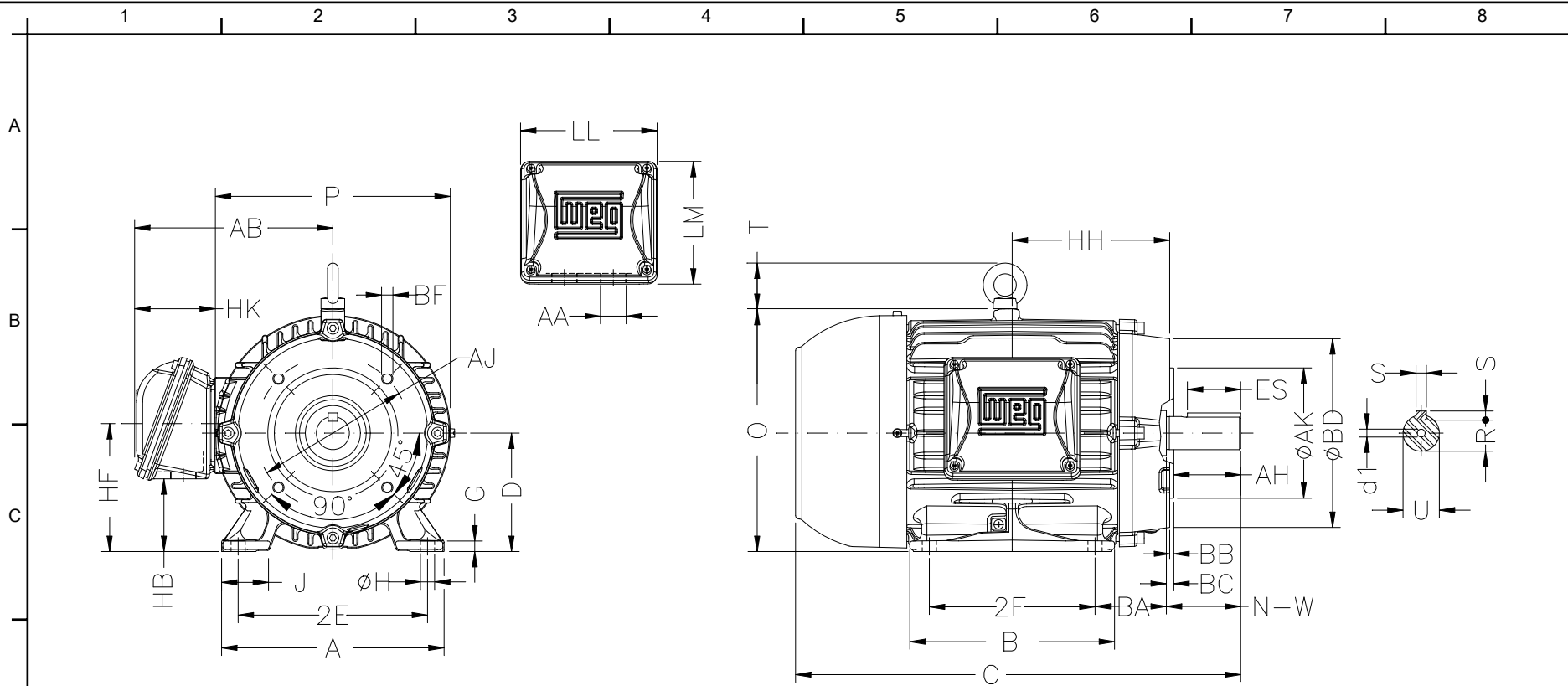
Customer :
Product line : Three-Phase: W22 IEEE-841™ Petrochem Motors - NEMA Premium® Efficiency

Frame	: 213T	Locked rotor current (I _l /I _n)	: 7.1
Output	: 7.5 HP	Duty cycle	: S1
Frequency	: 60 Hz	Service factor	: 1.25
Full load speed	: 1765	Design	: B
Voltage	: 460 V	Locked rotor torque	: 220 %
Rated current	: 9.00 A	Breakdown torque	: 310 %
Insulation class	: F		

Notes:

Performed by

Checked



E	2E	J	A	P	AB
	8.500	1.988	9.764	10.669	8.583
	2F	K	B	BA	U
	5.500	2.165	7.362	3.500	1.375
	N-W	ES	S	R	depth
	3.375	2.756	0.313	1.203	0.313
	D	G	HB	O	T
	5.250	0.827	3.006	10.841	1.772
	HD	HF	HH	HK	H
	12.613	5.250	6.250	3.110	0.406
F	C	LL	LM	AA	d1
	18.021	5.512	5.236	NPT 1"	A 4
	d2	Flange	AJ	AK	BD
	A 4	FC-184	7.250	8.500	8.875
	BF	BB	BC	AH	
	UNC 1/2"x13	0.250	0.250	3.125	

Notes:		
Performed by:		
Checked:		
Customer:		
Three-Phase: W22 IEEE-841™ Petrochem Motors - NEMA Premium® Efficiency		
Three-phase induction motor Frame 213T - IP55	27-DEC-2012	