



No.:

Date: 28-DEC-2012

Customer :

TECHNICAL PROPOSAL

Three-phase induction motor - Squirrel cage rotor

Product line : Saw Arbor Motors : Single and Double Shaft End

Catalog Number : 00736ES3ESA80LR

List Price : \$1,642

Notes:

Performed by:

Checked:



No.:

Date: 28-DEC-2012

DATA SHEET

Three-phase induction motor - Squirrel cage rotor

Customer :
Product line : Saw Arbor Motors : Single and Double Shaft End

Frame : 80L
Output : 7.5 HP
Frequency : 60 Hz
Poles : 2
Full load speed : 3490
Slip : 3.06 %
Voltage : 208-230/460 V
Rated current : 21.6-19.5/9.76 A
Locked rotor current : 180/89.8 A
Locked rotor current (I_L/I_n) : 9.2
No-load current : 8.80/4.40 A
Full load torque : 11.1 lb.ft
Locked rotor torque : 400 %
Breakdown torque : 460 %
Design : N
Insulation class : F
Temperature rise : 80 K
Locked rotor time : 5 s (hot)
Service factor : 1.15
Duty cycle : S6 50%
Ambient temperature : -20°C - +40°C
Altitude : 1000
Degree of Protection : IP54
Approximate weight : 120 lb
Moment of inertia : 0.14357 sq.ft.lb
Noise level : 62 dB(A)

| | D.E. | N.D.E. | Load | Power factor | Efficiency (%) |
|---------------------|---------|---------|------|--------------|----------------|
| Bearings | 6307 ZZ | 6207 ZZ | 100% | 0.81 | 87.4 |
| Regreasing interval | --- | --- | 75% | 0.75 | 87.0 |
| Grease amount | --- | --- | 50% | 0.64 | 85.2 |

Notes:

Performed by

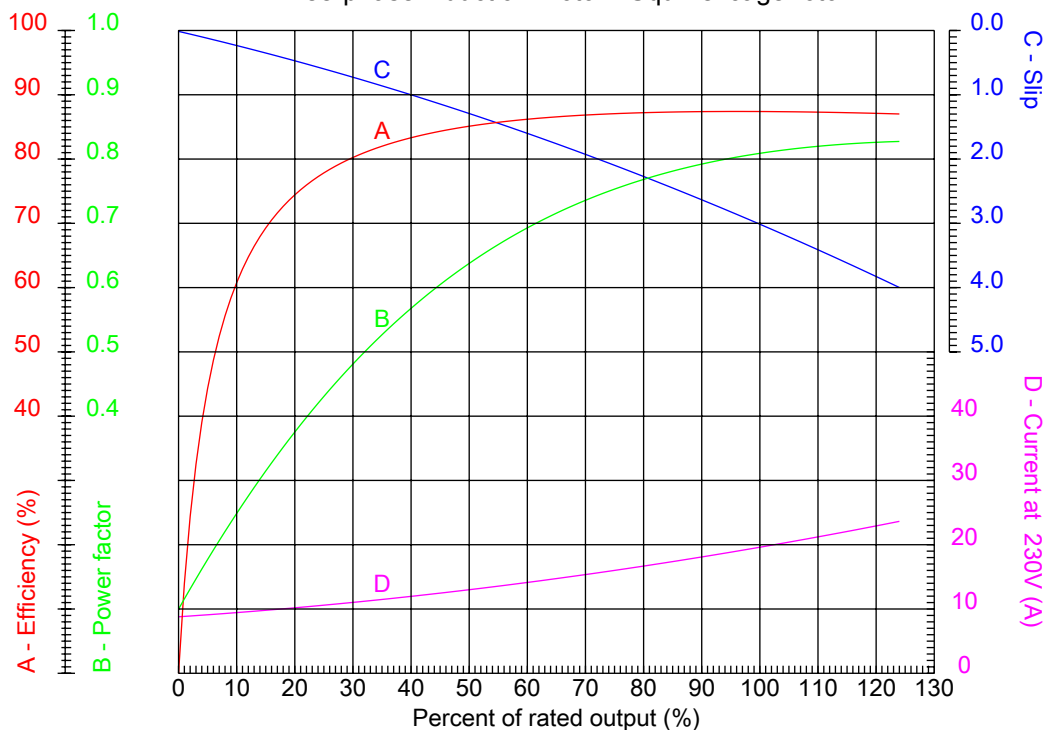
Checked



No.:

Date: 28-DEC-2012

PERFORMANCE CURVES RELATED TO RATED OUTPUT Three-phase induction motor - Squirrel cage rotor



Customer :
Product line : Saw Arbor Motors : Single and Double Shaft End

| | | | |
|------------------|--------------------|--|----------|
| Frame | : 80L | Locked rotor current (I _l /I _n) | : 9.2 |
| Output | : 7.5 HP | Duty cycle | : S6 50% |
| Frequency | : 60 Hz | Service factor | : 1.15 |
| Full load speed | : 3490 | Design | : N |
| Voltage | : 208-230/460 V | Locked rotor torque | : 400 % |
| Rated current | : 21.6-19.5/9.76 A | Breakdown torque | : 460 % |
| Insulation class | : F | | |

Notes:

Performed by

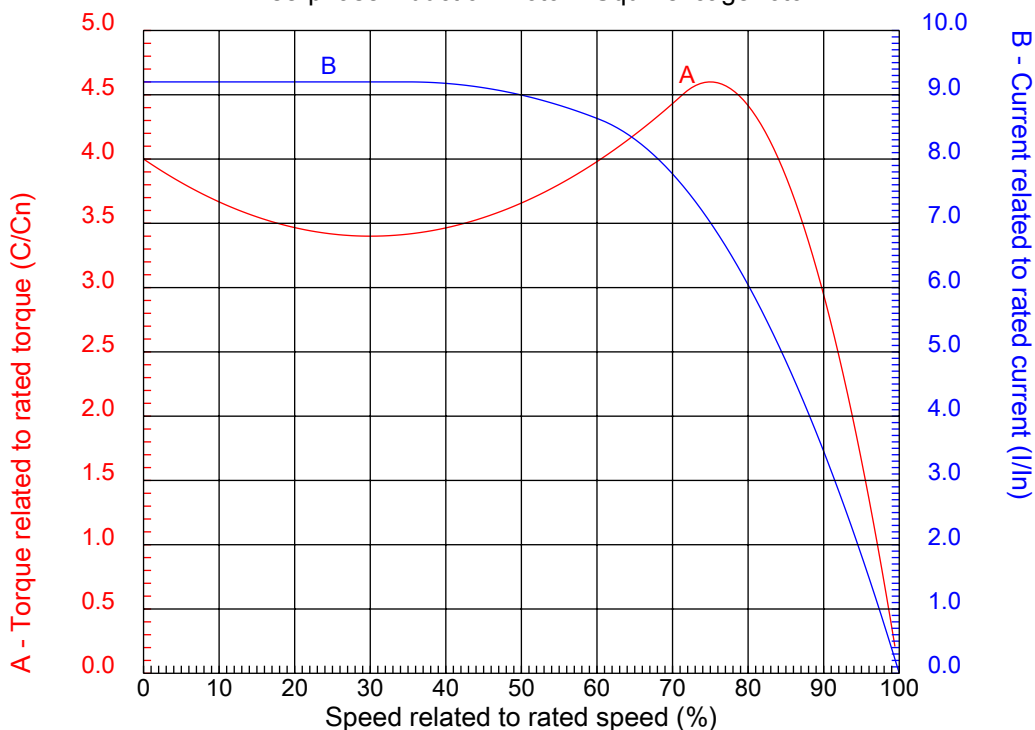
Checked



No.:

Date: 28-DEC-2012

CHARACTERISTIC CURVES RELATED TO SPEED Three-phase induction motor - Squirrel cage rotor



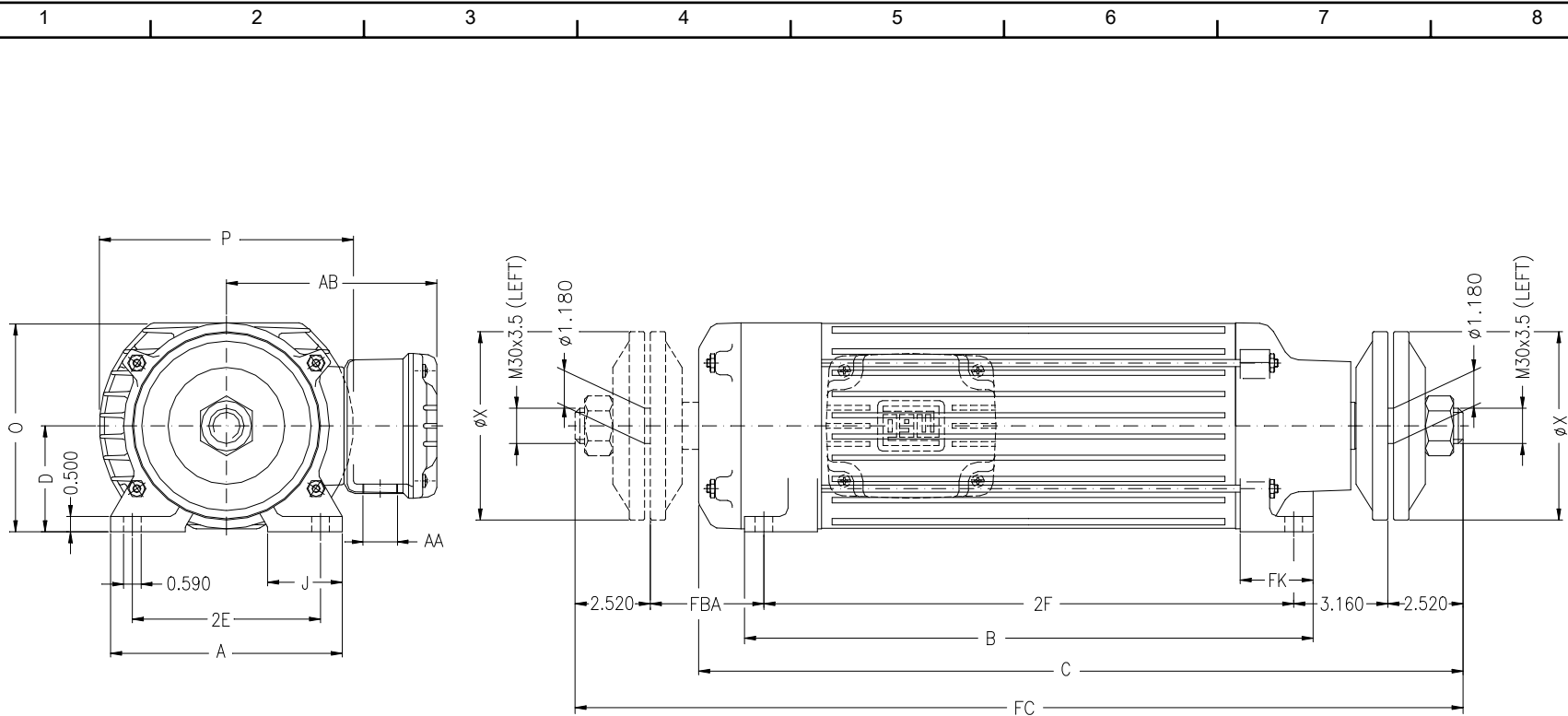
Customer :
Product line : Saw Arbor Motors : Single and Double Shaft End

| | | | |
|------------------|--------------------|---|----------|
| Frame | : 80L | Locked rotor current (I _l /I _{ln}) | : 9.2 |
| Output | : 7.5 HP | Duty cycle | : S6 50% |
| Frequency | : 60 Hz | Service factor | : 1.15 |
| Full load speed | : 3490 | Design | : N |
| Voltage | : 208-230/460 V | Locked rotor torque | : 400 % |
| Rated current | : 21.6-19.5/9.76 A | Breakdown torque | : 460 % |
| Insulation class | : F | | |

Notes:

Performed by

Checked



Notes:

Performed by:

Checked:

Customer:

Saw Arbor Motors : Single and Double Shaft End

| | | | | |
|-----|-------|-------|----------|----|
| 2E | 2F | A | B | FK |
| 190 | 360 | 225 | 405 | 45 |
| FBA | C | FC | D | J |
| 102 | 571.0 | 670.0 | 80 | 35 |
| O | P | AB | AA | |
| 157 | 190 | 164 | NPT 3/4" | |

Three-phase induction motor
Frame 80L - IP54

28-DEC-2012

