



No.:

Date: 27-DEC-2012

Customer :

TECHNICAL PROPOSAL

Three-phase induction motor - Squirrel cage rotor

Product line : Close Coupled Pump : Three-Phase - "JM" Type - ODP - NEMA Premium

Catalog Number : 01012OT3E256JM

List Price : \$2,298

Notes:

Performed by:

Checked:



No.:

Date: 27-DEC-2012

## DATA SHEET

### Three-phase induction motor - Squirrel cage rotor

Customer :  
Product line : Close Coupled Pump : Three-Phase - "JM" Type - ODP - NEMA Premium

Frame : 256JM  
Output : 10 HP  
Frequency : 60 Hz  
Poles : 6  
Full load speed : 1175  
Slip : 2.08 %  
Voltage : 208-230/460 V  
Rated current : 28.3-25.6/12.8 A  
Locked rotor current : 169/84.5 A  
Locked rotor current (I<sub>L</sub>/I<sub>n</sub>) : 6.6  
No-load current : 13.0/6.50 A  
Full load torque : 44.1 lb.ft  
Locked rotor torque : 230 %  
Breakdown torque : 280 %  
Design : B  
Insulation class : F  
Temperature rise : 80 K  
Locked rotor time : 12 s (hot)  
Service factor : 1.15  
Duty cycle : S1  
Ambient temperature : -20°C - +40°C  
Altitude : 1000  
Degree of Protection : IP23  
Approximate weight : 251 lb  
Moment of inertia : 3.4086 sq.ft.lb  
Noise level : 57 dB(A)

|                     | D.E.      | N.D.E.    | Load | Power factor | Efficiency (%) |
|---------------------|-----------|-----------|------|--------------|----------------|
| Bearings            | 6309 Z-C3 | 6209 Z-C3 | 100% | 0.80         | 91.7           |
| Regreasing interval | 20000 h   | 20000 h   | 75%  | 0.74         | 91.0           |
| Grease amount       | 13 g      | 9 g       | 50%  | 0.62         | 90.2           |

Notes:

Performed by

Checked

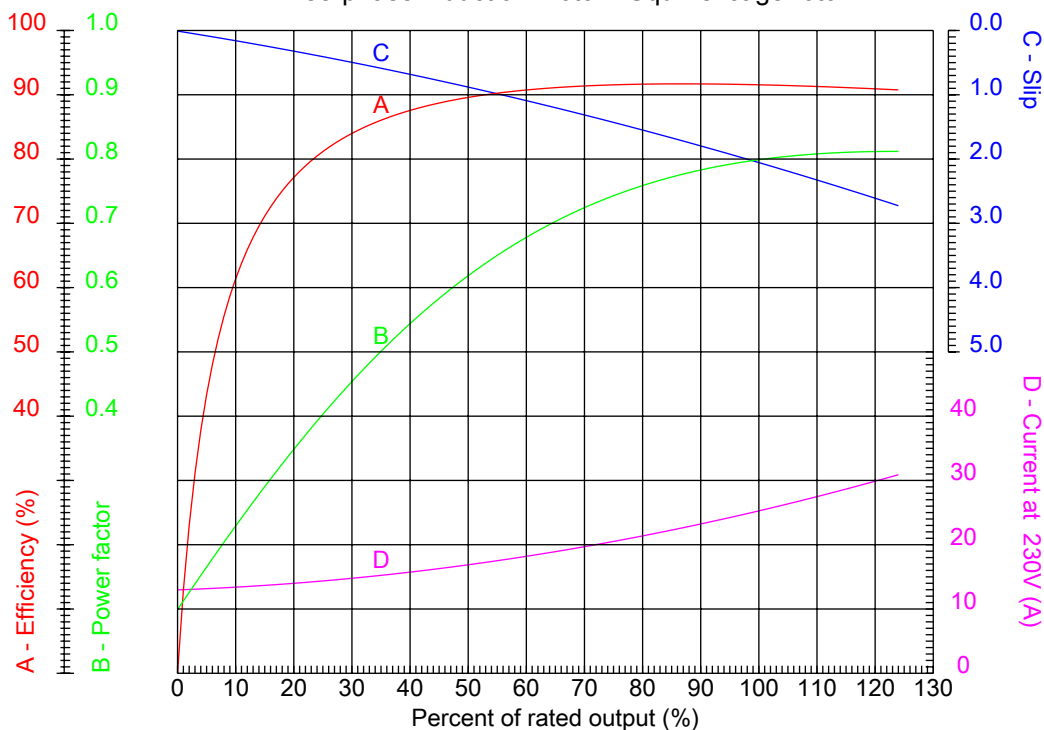


No.:

Date: 27-DEC-2012

### PERFORMANCE CURVES RELATED TO RATED OUTPUT

Three-phase induction motor - Squirrel cage rotor



Customer :  
Product line : Close Coupled Pump : Three-Phase - "JM" Type - ODP - NEMA Premium

|                  |                    |  |         |
|------------------|--------------------|--|---------|
| Frame            | : 256JM            | Locked rotor current (I <sub>l</sub> /I <sub>n</sub> ) | : 6.6   |
| Output           | : 10 HP            | Duty cycle   | : S1    |
| Frequency        | : 60 Hz            | Service factor   | : 1.15  |
| Full load speed  | : 1175             | Design   | : B     |
| Voltage          | : 208-230/460 V    | Locked rotor torque                                    | : 230 % |
| Rated current    | : 28.3-25.6/12.8 A | Breakdown torque                                       | : 280 % |
| Insulation class | : F                |  |         |

Notes:

Performed by

Checked

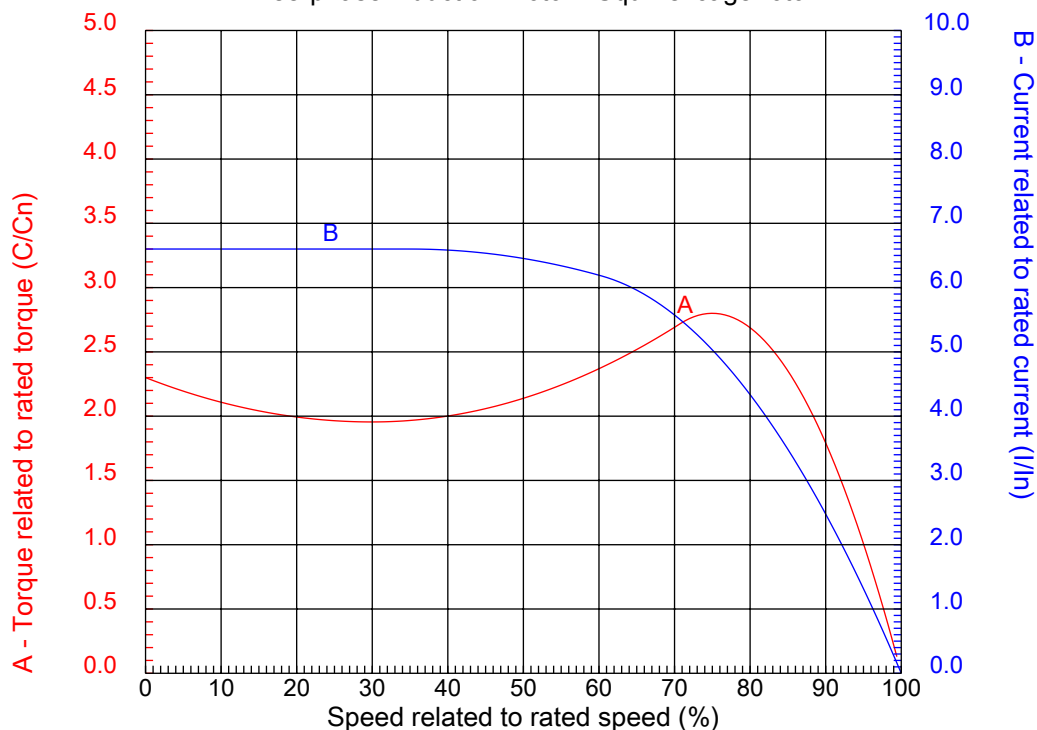


No.:

Date: 27-DEC-2012

### CHARACTERISTIC CURVES RELATED TO SPEED

Three-phase induction motor - Squirrel cage rotor



Customer :  
Product line : Close Coupled Pump : Three-Phase - "JM" Type - ODP - NEMA Premium

|                  |                    |  |         |
|------------------|--------------------|--|---------|
| Frame            | : 256JM            | Locked rotor current (I <sub>l</sub> /I <sub>n</sub> ) | : 6.6   |
| Output           | : 10 HP            | Duty cycle   | : S1    |
| Frequency        | : 60 Hz            | Service factor   | : 1.15  |
| Full load speed  | : 1175             | Design   | : B     |
| Voltage          | : 208-230/460 V    | Locked rotor torque                                    | : 230 % |
| Rated current    | : 28.3-25.6/12.8 A | Breakdown torque                                       | : 280 % |
| Insulation class | : F                |  |         |

Notes:

Performed by

Checked

1 2 3 4 5 6 7 8

A

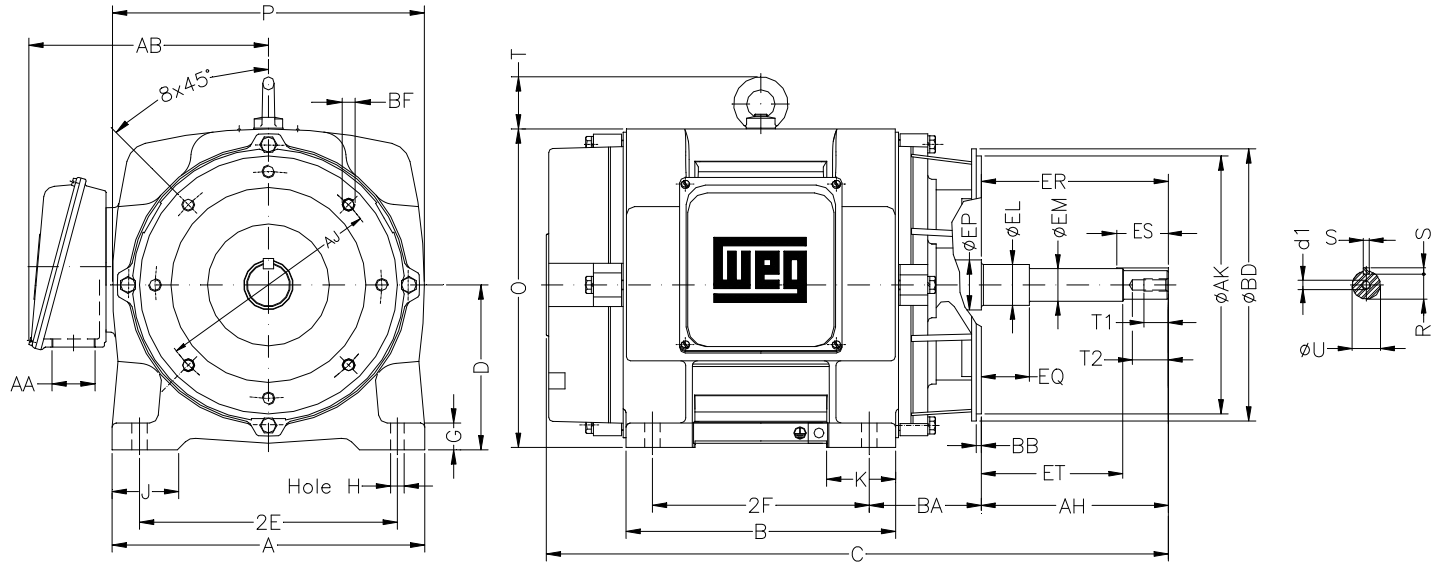
B

C

D

E

F



Notes:

|              |        |        |             |            |
|--------------|--------|--------|-------------|------------|
| 2E           | A      | 2F     | B           | J          |
| 10.000       | 12.130 | 10.000 | 11.732      | 2.520      |
| BA           | D      | K      | G           | O          |
| 4.500        | 6.220  | 2.560  | 0.787       | 12.204     |
| P            | T      | HD     | H           | AA         |
| 11.812       | 2.165  | 14.369 | 0.531       | NPT 1 1/2" |
| ER           | EQ     | ET     | U           | EM         |
| 5.250        | 0.630  | 3.006  | 1.249       | 1.375      |
| EL           | S      | EP     | R           | ES         |
| 1.750        | 0.250  | 1.750  | 1.110       | 2.559      |
| d1           | t1     | t2     | C           | Flange     |
| EUNC 1/2"-13 | 0.984  | 1.496  | 23.902      | FC-184     |
| AJ           | AK     | BD     | BF          | BB         |
| 7.250        | 8.500  | 8.858  | UNC 1/2"x13 | 0.250      |
| BC           | AH     |        |             |            |
|              | 5.250  |        |             |            |

Performed by:

Checked:

Customer:

Close Coupled Pump : Three-Phase - "JM" Type - ODP - NEMA Premium

Three-phase induction motor  
Frame 256JM - IP23

27-DEC-2012

