



No.:

Date: 27-DEC-2012

Customer :

TECHNICAL PROPOSAL

Three-phase induction motor - Squirrel cage rotor

Product line : Three-Phase: W22 IEEE-841™ Petrochem Motors - NEMA Premium® Efficiency

Catalog Number : 01036ST3QIE215TC-W22

List Price : \$2,000

Notes:

Performed by:

Checked:



No.:

Date: 27-DEC-2012

## DATA SHEET

### Three-phase induction motor - Squirrel cage rotor

Customer :  
 Product line : Three-Phase: W22 IEEE-841™ Petrochem Motors - NEMA Premium® Efficiency

Frame : 215T  
 Output : 10 HP  
 Frequency : 60 Hz  
 Poles : 2  
 Full load speed : 3515  
 Slip : 2.36 %  
 Voltage : 460 V  
 Rated current : 11.6 A  
 Locked rotor current : 83.5 A  
 Locked rotor current (I<sub>L</sub>/I<sub>n</sub>) : 7.2  
 No-load current : 3.70 A  
 Full load torque : 14.7 lb.ft  
 Locked rotor torque : 210 %  
 Breakdown torque : 290 %  
 Design : B  
 Insulation class : F  
 Temperature rise : 80 K  
 Locked rotor time : 24 s (hot)  
 Service factor : 1.25  
 Duty cycle : S1  
 Ambient temperature : -20°C - +40°C  
 Altitude : 1000  
 Degree of Protection : IP55  
 Approximate weight : 163 lb  
 Moment of inertia : 0.63620 sq.ft.lb  
 Noise level : 72 dB(A)

	D.E.	N.D.E.	Load	Power factor	Efficiency (%)
Bearings	6308 C3	6207 C3	100%	0.90	90.2
Regreasing interval	20000 h	20000 h	75%	0.87	90.2
Grease amount	11 g	7 g	50%	0.79	89.5

Notes:

Performed by

Checked

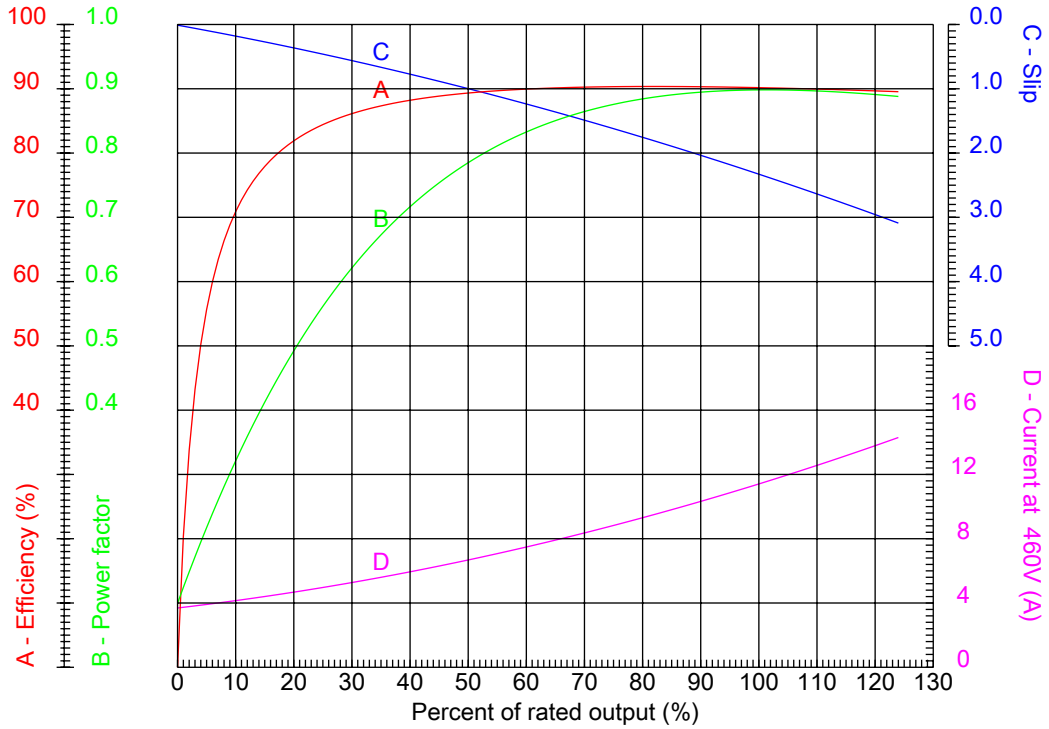


No.:

Date: 27-DEC-2012

PERFORMANCE CURVES RELATED TO RATED OUTPUT

Three-phase induction motor - Squirrel cage rotor



Customer :  
 Product line : Three-Phase: W22 IEEE-841™ Petrochem Motors - NEMA Premium® Efficiency

Frame	: 215T	Locked rotor current (I <sub>L</sub> /I <sub>n</sub> )	: 7.2
Output	: 10 HP	Duty cycle	: S1
Frequency	: 60 Hz	Service factor	: 1.25
Full load speed	: 3515	Design	: B
Voltage	: 460 V	Locked rotor torque	: 210 %
Rated current	: 11.6 A	Breakdown torque	: 290 %
Insulation class	: F		

Notes:

Performed by

Checked

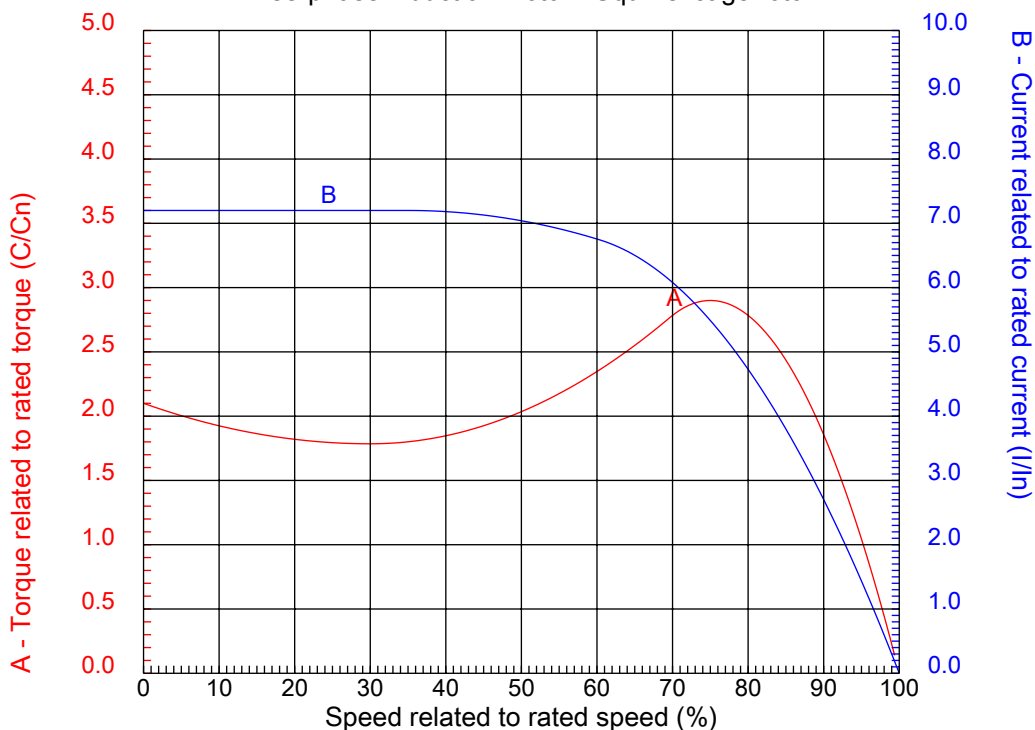


No.:

Date: 27-DEC-2012

### CHARACTERISTIC CURVES RELATED TO SPEED

Three-phase induction motor - Squirrel cage rotor



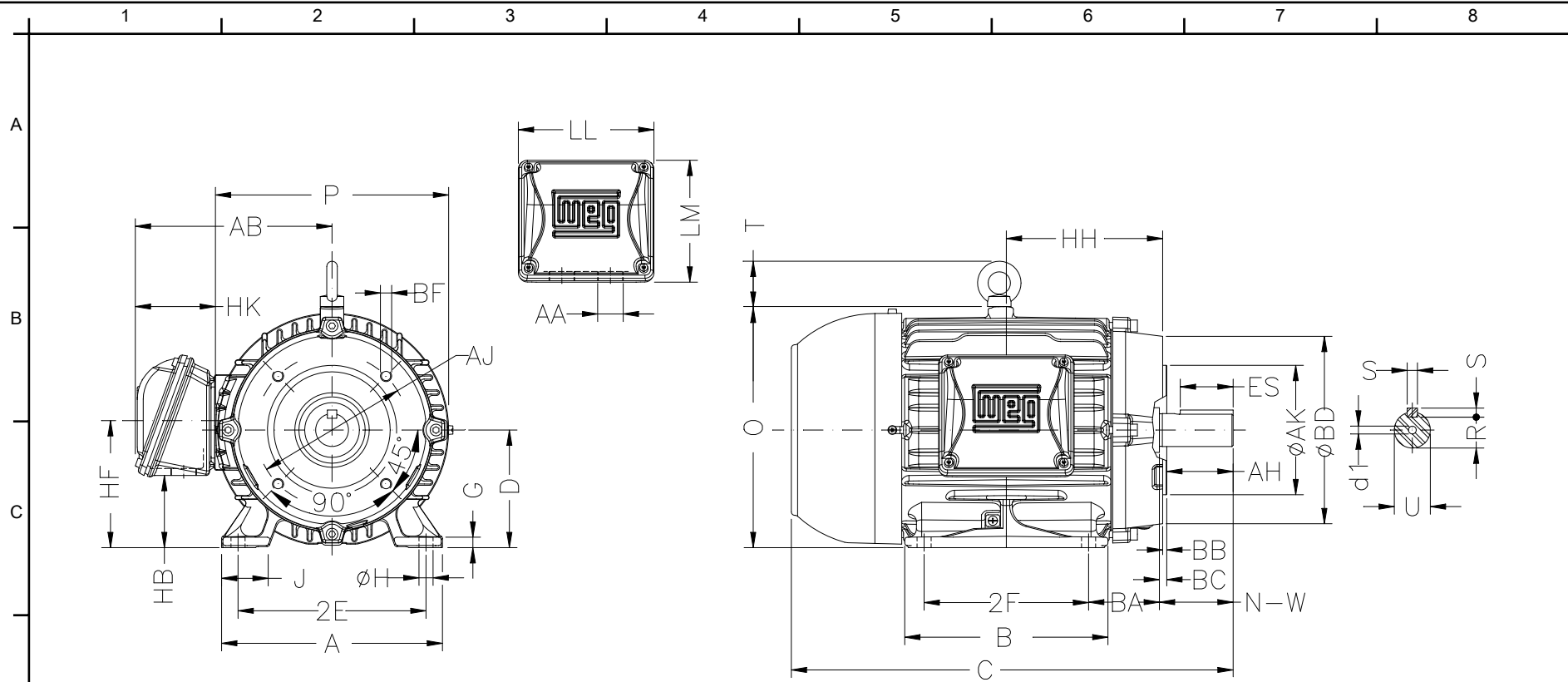
Customer :  
Product line : Three-Phase: W22 IEEE-841™ Petrochem Motors - NEMA Premium® Efficiency

Frame	: 215T	Locked rotor current (I <sub>l</sub> /I <sub>n</sub> )	: 7.2
Output	: 10 HP	Duty cycle	: S1
Frequency	: 60 Hz	Service factor	: 1.25
Full load speed	: 3515	Design	: B
Voltage	: 460 V	Locked rotor torque	: 210 %
Rated current	: 11.6 A	Breakdown torque	: 290 %
Insulation class	: F		

Notes:

Performed by

Checked



E	2E 8.500	J 1.988	A 9.764	P 10.669	AB 8.583
	2F 7.000	K 2.165	B 8.858	BA 3.500	U 1.375
	N-W 3.375	ES 2.756	S 0.313	R 1.203	depth 0.313
	D 5.250	G 0.827	HB 3.006	O 10.841	T 1.772
	HD 12.613	HF 5.250	HH 7.000	HK 3.110	H 0.406
F	C 19.517	LL 5.512	LM 5.236	AA NPT 1"	d1 A 4
	d2 A 4	Flange FC-184	AJ 7.250	AK 8.500	BD 8.875
	BF UNC 1/2"x13	BB 0.250	BC 0.250	AH 3.125	

Notes:

Performed by:

Checked:

Customer:

Three-Phase: W22 IEEE-841™ Petrochem Motors - NEMA Premium® Efficiency

Three-phase induction motor  
Frame 215T - IP55

27-DEC-2012

