



No.:

Date: 27-DEC-2012

Customer :

TECHNICAL PROPOSAL

Three-phase induction motor - Squirrel cage rotor

Product line : Three-Phase : Explosion Proof - NEMA Premium

Catalog Number : 01036XT3E215TC

List Price : \$1,803

Notes:

Performed by:

Checked:



No.:

Date: 27-DEC-2012

## DATA SHEET

### Three-phase induction motor - Squirrel cage rotor

Customer :  
Product line : Three-Phase : Explosion Proof - NEMA Premium

Frame : 215T  
Output : 10 HP  
Frequency : 60 Hz  
Poles : 2  
Full load speed : 3535  
Slip : 1.81 %  
Voltage : 208-230/460 V  
Rated current : 26.5-24.0/12.0 A  
Locked rotor current : 221/110 A  
Locked rotor current (I<sub>L</sub>/I<sub>n</sub>) : 9.2  
No-load current : 10.2/5.10 A  
Full load torque : 14.7 lb.ft  
Locked rotor torque : 280 %  
Breakdown torque : 350 %  
Design : B  
Insulation class : F  
Temperature rise : 80 K  
Locked rotor time : 18 s (hot)  
Service factor : 1.15  
Duty cycle : S1  
Ambient temperature : -20°C - +40°C  
Altitude : 1000  
Degree of Protection : IP54  
Approximate weight : 201 lb  
Moment of inertia : 0.55125 sq.ft.lb  
Noise level : 72 dB(A)

	D.E.	N.D.E.	Load	Power factor	Efficiency (%)
Bearings	6308 ZZ	6207 ZZ	100%	0.87	90.2
Regreasing interval	---	---	75%	0.81	89.5
Grease amount	---	---	50%	0.71	88.5

Notes:

Performed by

Checked

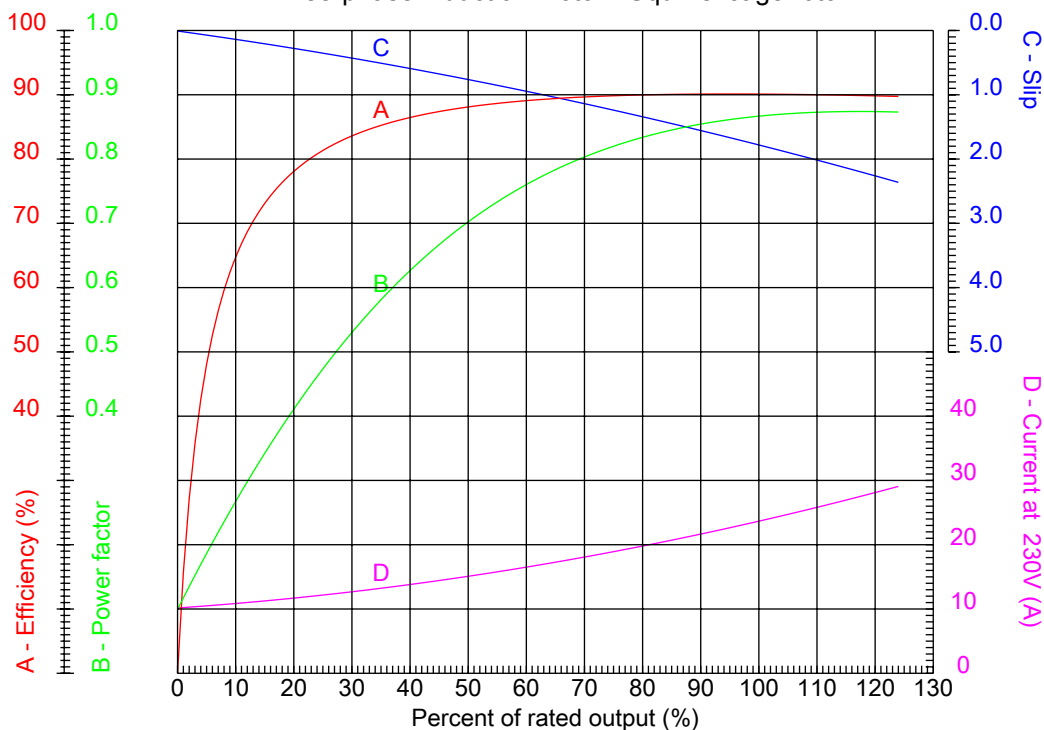


No.:

Date: 27-DEC-2012

### PERFORMANCE CURVES RELATED TO RATED OUTPUT

Three-phase induction motor - Squirrel cage rotor



Customer :  
Product line : Three-Phase : Explosion Proof - NEMA Premium

Frame	: 215T	Locked rotor current (I <sub>l</sub> /I <sub>n</sub> )	: 9.2
Output	: 10 HP	Duty cycle	: S1
Frequency	: 60 Hz	Service factor	: 1.15
Full load speed	: 3535	Design	: B
Voltage	: 208-230/460 V	Locked rotor torque	: 280 %
Rated current	: 26.5-24.0/12.0 A	Breakdown torque	: 350 %
Insulation class	: F		

Notes:

Performed by

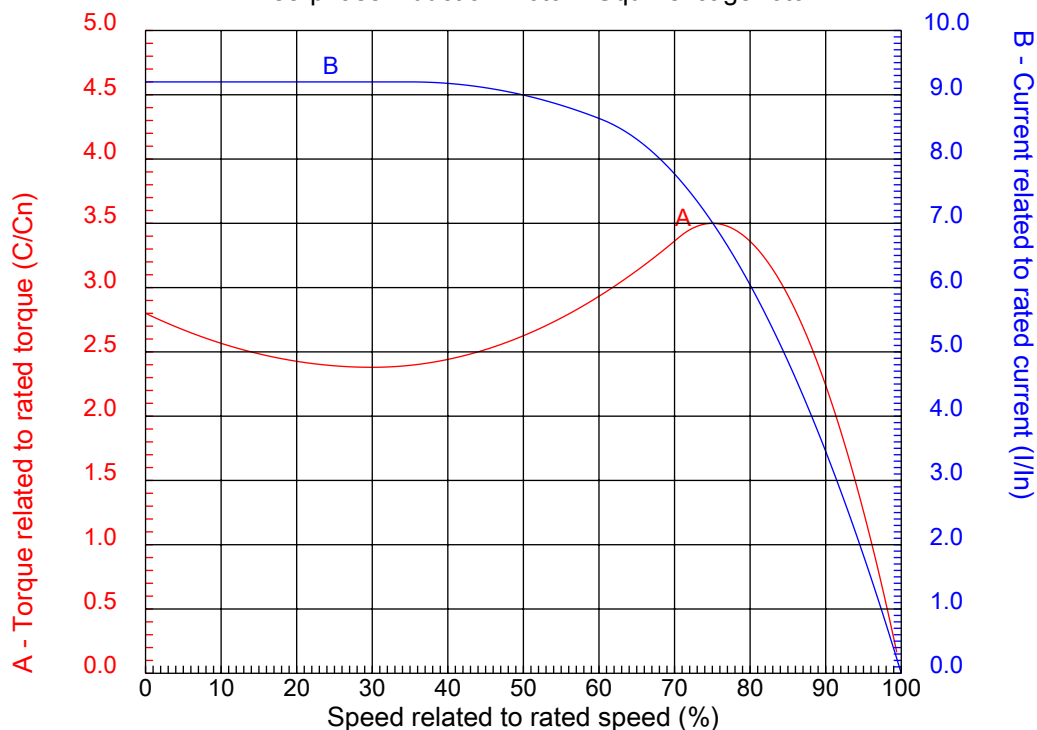
Checked



No.:

Date: 27-DEC-2012

### CHARACTERISTIC CURVES RELATED TO SPEED Three-phase induction motor - Squirrel cage rotor



Customer :  
Product line : Three-Phase : Explosion Proof - NEMA Premium

Frame	: 215T	Locked rotor current (I <sub>l</sub> /I <sub>ln</sub> )	: 9.2
Output	: 10 HP	Duty cycle	: S1
Frequency	: 60 Hz	Service factor	: 1.15
Full load speed	: 3535	Design	: B
Voltage	: 208-230/460 V	Locked rotor torque	: 280 %
Rated current	: 26.5-24.0/12.0 A	Breakdown torque	: 350 %
Insulation class	: F		

Notes:

Performed by

Checked

1 2 3 4 5 6 7 8

A

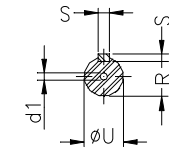
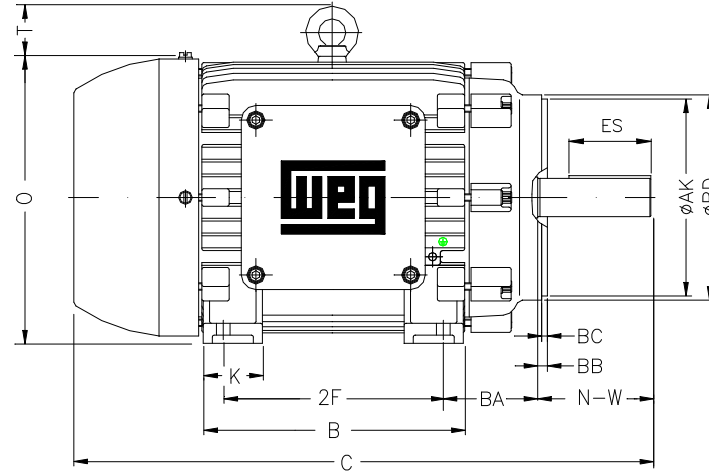
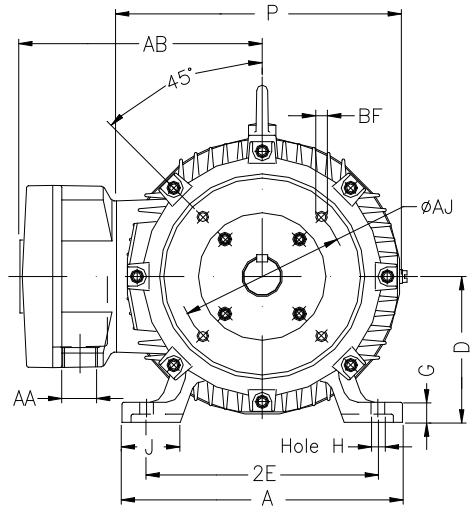
B

C

D

E

F



Notes:

Performed by:

Checked:

Customer:

Three-Phase : Explosion Proof - NEMA Premium

Three-phase induction motor  
Frame 215T - IP54

27-DEC-2012



2E 8.500	A 9.764	2F 7.000	B 8.898	BA 3.500
J 2.008	K 2.165	P 10.709	ES 2.480	depth 0.313
S 0.313	N-W 3.375	U 1.375	R 1.203	AB 9.252
D 5.250	G 0.827	O 11.156	HD 12.928	H 0.406
C 19.450	AA NPT 1"	d1 A 4	d2 A 4	T 1.772
Flange FC-184	AJ 7.250	AK 8.500	BD 8.875	BF UNC 1/2"x13
BB 0.250	BC 0.250	AH 3.125		