



No.:

Date: 27-DEC-2012

Customer :

TECHNICAL PROPOSAL

Three-phase induction motor - Squirrel cage rotor

Product line : Three-Phase: W22 IEEE-841™ Petrochem Motors - NEMA Premium® Efficiency

Catalog Number : 01509ST3QIE286TC-W22

List Price : \$6,942

Notes:

Performed by:

Checked:



No.:

Date: 27-DEC-2012

## DATA SHEET

### Three-phase induction motor - Squirrel cage rotor

Customer :  
Product line : Three-Phase: W22 IEEE-841™ Petrochem Motors - NEMA Premium® Efficiency

Frame : 286T  
Output : 15 HP  
Frequency : 60 Hz  
Poles : 8  
Full load speed : 880  
Slip : 2.22 %  
Voltage : 460 V  
Rated current : 19.4 A  
Locked rotor current : 107 A  
Locked rotor current (I<sub>L</sub>/I<sub>n</sub>) : 5.5  
No-load current : 9.00 A  
Full load torque : 88.3 lb.ft  
Locked rotor torque : 200 %  
Breakdown torque : 230 %  
Design : B  
Insulation class : F  
Temperature rise : 80 K  
Locked rotor time : 25 s (hot)  
Service factor : 1.25  
Duty cycle : S1  
Ambient temperature : -20°C - +40°C  
Altitude : 1000  
Degree of Protection : IP55  
Approximate weight : 417 lb  
Moment of inertia : 8.1809 sq.ft.lb  
Noise level : 54 dB(A)

	D.E.	N.D.E.	Load	Power factor	Efficiency (%)
Bearings	6311 C3	6211 C3	100%	0.79	90.2
Regreasing interval	20000 h	20000 h	75%	0.73	91.0
Grease amount	18 g	11 g	50%	0.62	90.2

Notes:

Performed by

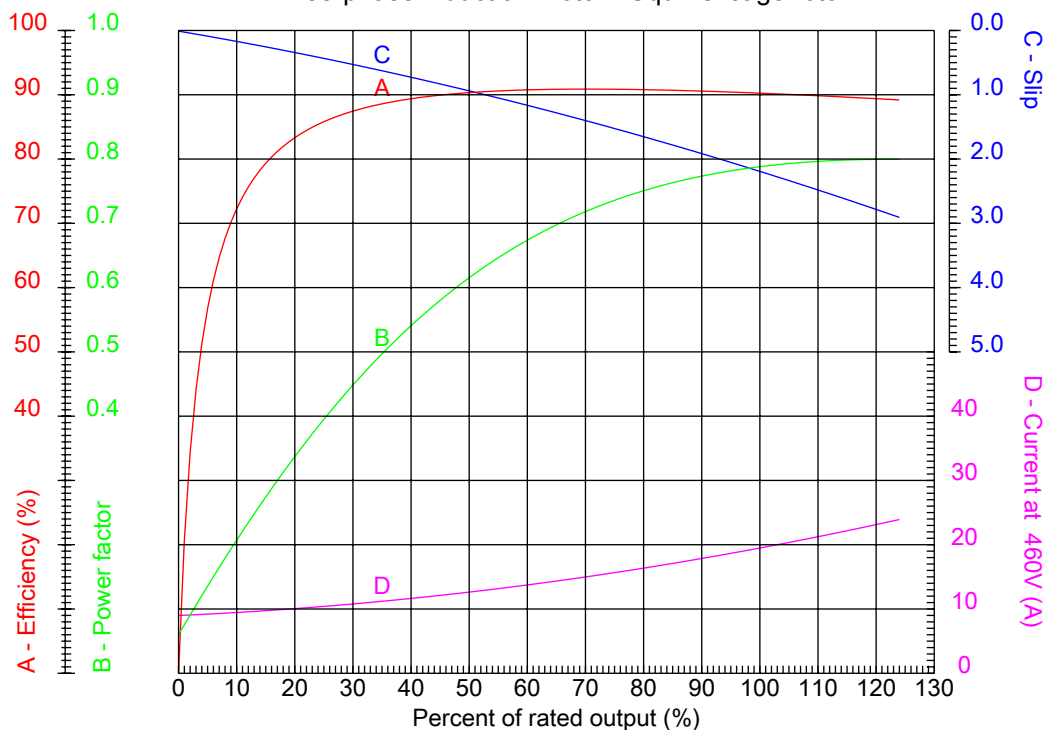
Checked



No.:

Date: 27-DEC-2012

### PERFORMANCE CURVES RELATED TO RATED OUTPUT Three-phase induction motor - Squirrel cage rotor



Customer :  
Product line : Three-Phase: W22 IEEE-841™ Petrochem Motors - NEMA Premium® Efficiency

Frame : 286T	Locked rotor current (I <sub>l</sub> /I <sub>n</sub> ) : 5.5
Output : 15 HP	Duty cycle : S1
Frequency : 60 Hz	Service factor : 1.25
Full load speed : 880	Design : B
Voltage : 460 V	Locked rotor torque : 200 %
Rated current : 19.4 A	Breakdown torque : 230 %
Insulation class : F	

Notes:

Performed by

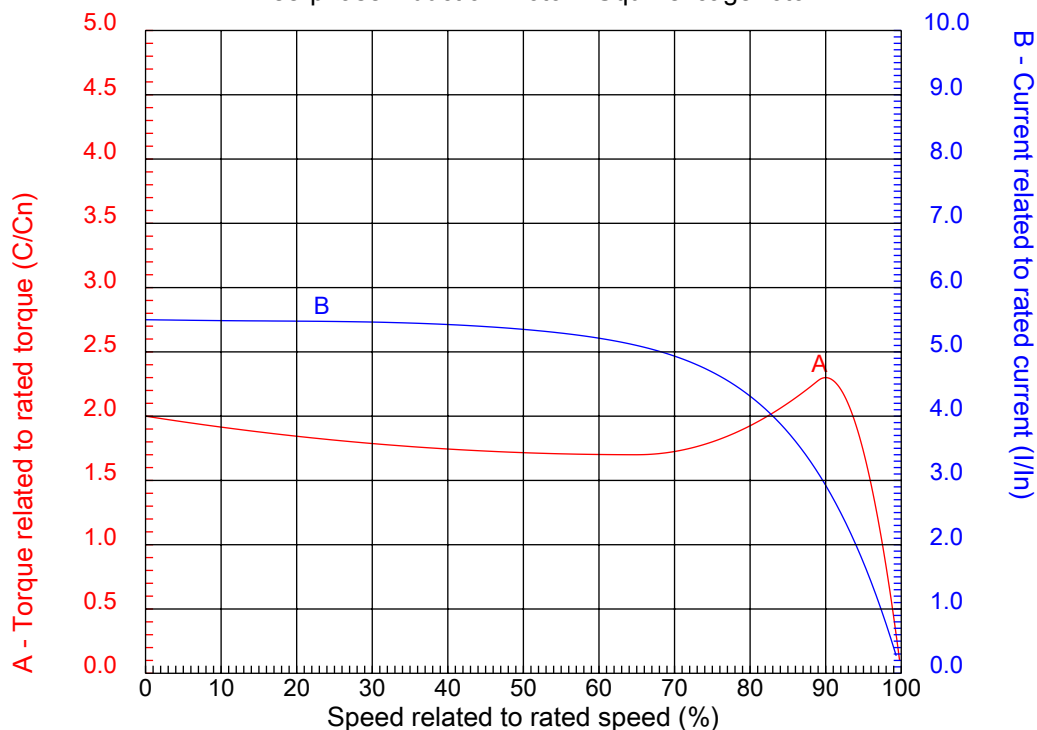
Checked



No.:

Date: 27-DEC-2012

### CHARACTERISTIC CURVES RELATED TO SPEED Three-phase induction motor - Squirrel cage rotor



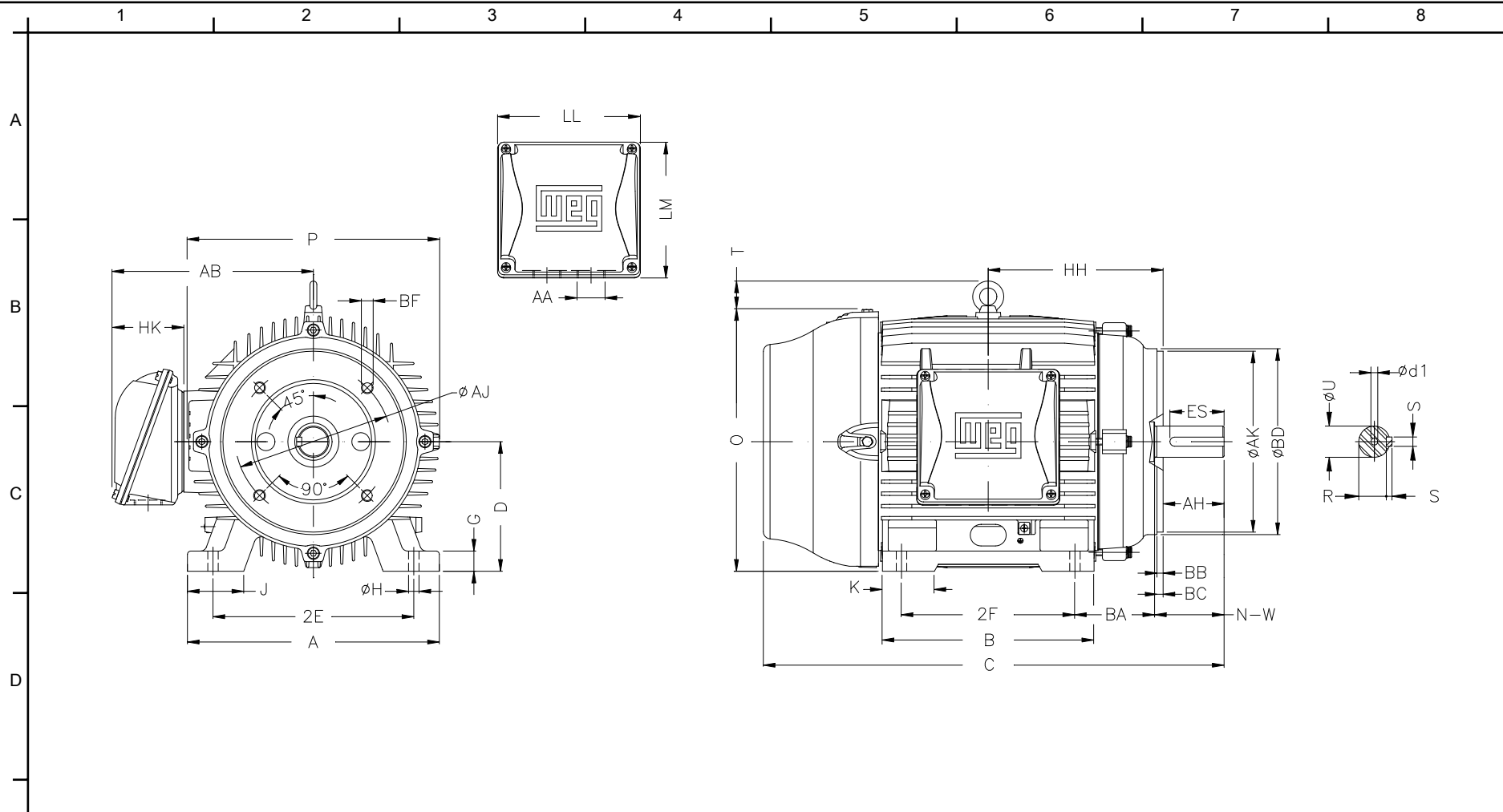
Customer :  
Product line : Three-Phase: W22 IEEE-841™ Petrochem Motors - NEMA Premium® Efficiency

Frame	: 286T	Locked rotor current (I <sub>l</sub> /I <sub>n</sub> )	: 5.5
Output	: 15 HP	Duty cycle	: S1
Frequency	: 60 Hz	Service factor	: 1.25
Full load speed	: 880	Design	: B
Voltage	: 460 V	Locked rotor torque	: 200 %
Rated current	: 19.4 A	Breakdown torque	: 230 %
Insulation class	: F		

Notes:

Performed by

Checked



E	2E	J	A	P	AB
	11.000	3.110	13.780	14.173	10.984
F	2F	K	B	BA	U
	11.000	2.874	13.071	4.750	1.875
F	N-W	ES	S	R	depth
	4.622	3.149	0.500	1.594	0.500
F	D	G	HB	O	T
	7.000	1.023	3.535	14.067	2.087
F	HD	HF	HH	HK	H
	16.154	7.000	10.250	3.937	0.531
F	C	LL	LM	AA	d1
	27.929	7.795	7.402	NPT 1 1/2"	A 4
F	d2	Flange	AJ	AK	BD
	A 4	FC-228	9.000	10.500	11.03
F	BF	BB	BC	AH	
	UNC 1/2"x13	0.250	0.250	4.375	

Notes:

Performed by:

Checked:

Customer:

Three-Phase: W22 IEEE-841™ Petrochem Motors - NEMA Premium® Efficiency

Three-phase induction motor  
Frame 286T - IP55

27-DEC-2012

