



No.:

Date: 27-DEC-2012

Customer :

TECHNICAL PROPOSAL

Three-phase induction motor - Squirrel cage rotor

Product line : Three-Phase : Explosion Proof - NEMA Premium

Catalog Number : 01509XT3E286T

List Price : \$7,102

Notes:

Performed by:

Checked:



No.:

Date: 27-DEC-2012

DATA SHEET

Three-phase induction motor - Squirrel cage rotor

Customer :
Product line : Three-Phase : Explosion Proof - NEMA Premium

Frame : 286T
Output : 15 HP
Frequency : 60 Hz
Poles : 8
Full load speed : 880
Slip : 2.22 %
Voltage : 208-230/460 V
Rated current : 42.0-38.0/19.0 A
Locked rotor current : 232/116 A
Locked rotor current (I_L/I_n) : 6.1
No-load current : 16.3/8.13 A
Full load torque : 88.3 lb.ft
Locked rotor torque : 240 %
Breakdown torque : 230 %
Design : B
Insulation class : F
Temperature rise : 80 K
Locked rotor time : 37 s (hot)
Service factor : 1.15
Duty cycle : S1
Ambient temperature : -20°C - +40°C
Altitude : 1000
Degree of Protection : IP54
Approximate weight : 507 lb
Moment of inertia : 8.1809 sq.ft.lb
Noise level : 54 dB(A)

| | D.E. | N.D.E. | Load | Power factor | Efficiency (%) |
|---------------------|---------|-----------|------|--------------|----------------|
| Bearings | 6311 C3 | 6211 Z-C3 | 100% | 0.80 | 91.0 |
| Regreasing interval | 20000 h | 20000 h | 75% | 0.76 | 91.7 |
| Grease amount | 18 g | 11 g | 50% | 0.66 | 91.0 |

Notes:

Performed by

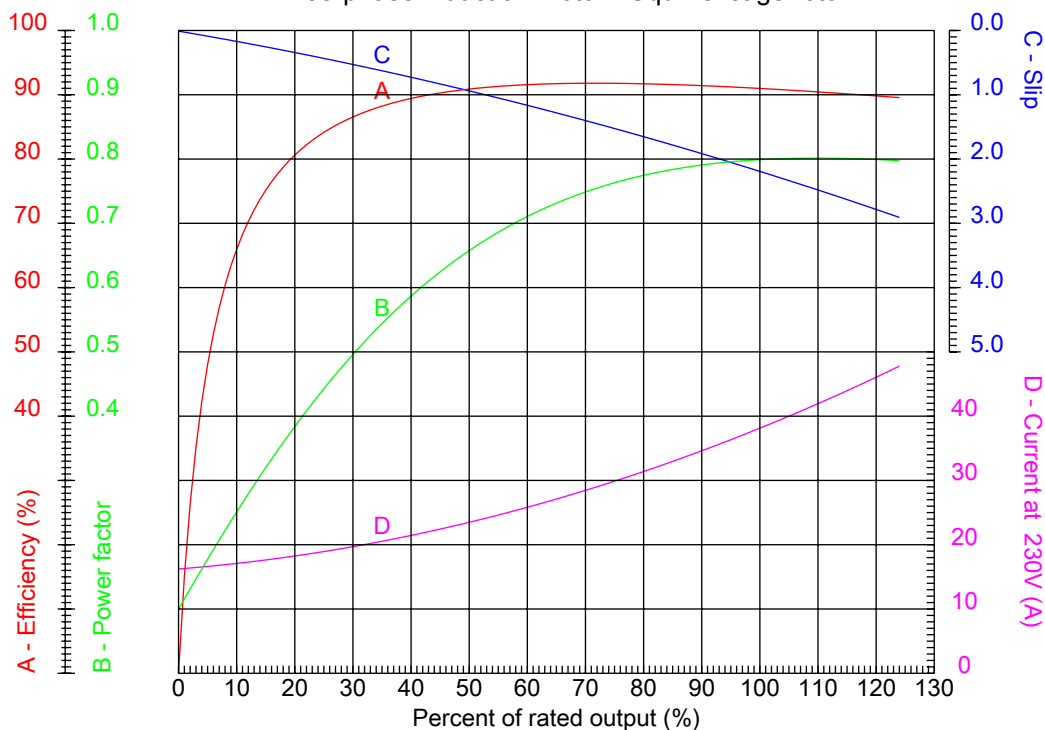
Checked



No.:

Date: 27-DEC-2012

PERFORMANCE CURVES RELATED TO RATED OUTPUT
Three-phase induction motor - Squirrel cage rotor



Customer :
Product line : Three-Phase : Explosion Proof - NEMA Premium

| | |
|----------------------------------|--|
| Frame : 286T | Locked rotor current (I _L /I _n) : 6.1 |
| Output : 15 HP | Duty cycle : S1 |
| Frequency : 60 Hz | Service factor : 1.15 |
| Full load speed : 880 | Design : B |
| Voltage : 208-230/460 V | Locked rotor torque : 240 % |
| Rated current : 42.0-38.0/19.0 A | Breakdown torque : 230 % |
| Insulation class : F | |

Notes:

Performed by

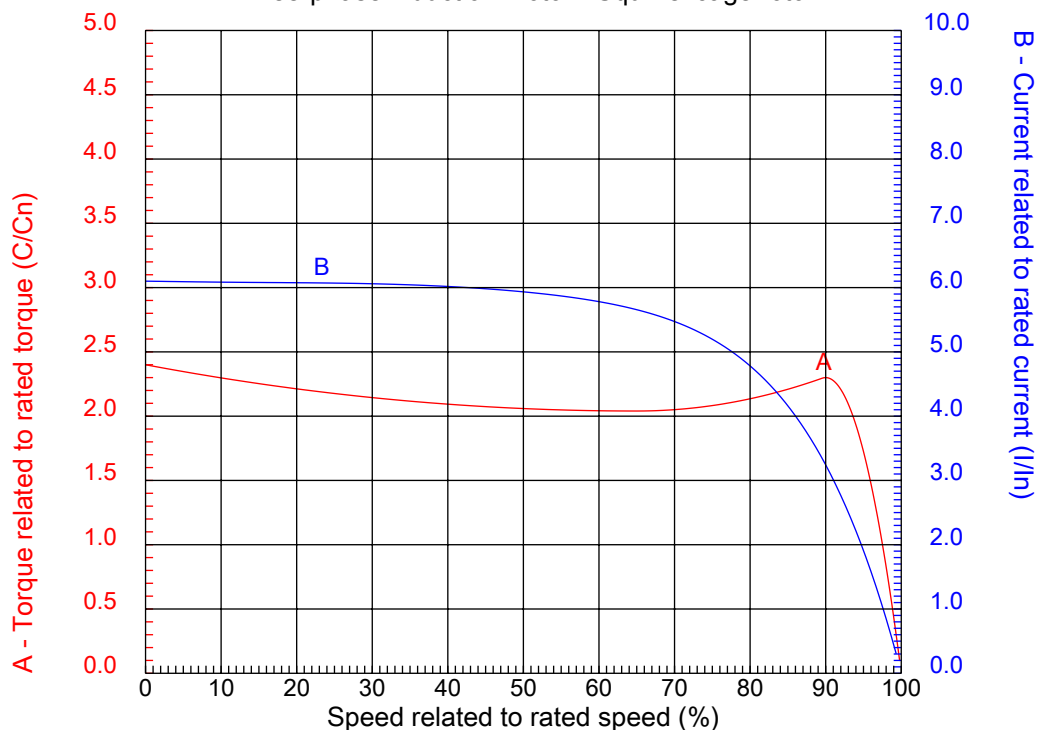
Checked



No.:

Date: 27-DEC-2012

CHARACTERISTIC CURVES RELATED TO SPEED Three-phase induction motor - Squirrel cage rotor



Customer :
Product line : Three-Phase : Explosion Proof - NEMA Premium

| | | | |
|------------------|--------------------|---|---------|
| Frame | : 286T | Locked rotor current (I _l /I _{ln}) | : 6.1 |
| Output | : 15 HP | Duty cycle | : S1 |
| Frequency | : 60 Hz | Service factor | : 1.15 |
| Full load speed | : 880 | Design | : B |
| Voltage | : 208-230/460 V | Locked rotor torque | : 240 % |
| Rated current | : 42.0-38.0/19.0 A | Breakdown torque | : 230 % |
| Insulation class | : F | | |

Notes:

Performed by

Checked

1 2 3 4 5 6 7 8

A

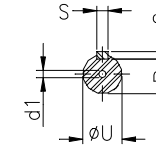
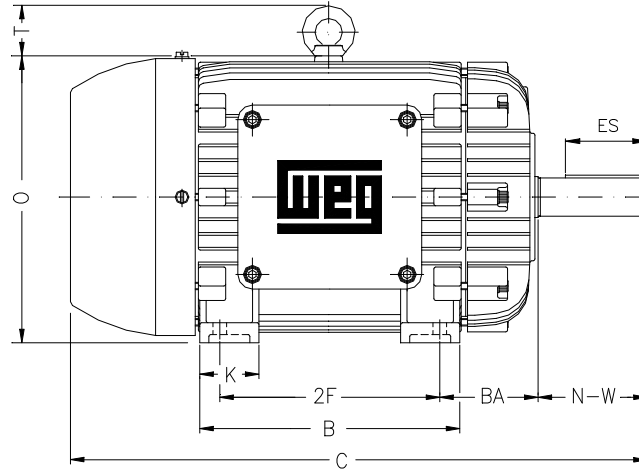
B

C

D

E

F



Notes:

Performed by:

Checked:

Customer:

Three-Phase : Explosion Proof - NEMA Premium

Three-phase induction motor
Frame 286T - IP54

27-DEC-2012



| | | | | |
|------------------|------------------|--------------|--------------|----------------|
| 2E 11.000 | A 13.780 | 2F 11.000 | B 13.071 | BA 4.750 |
| J 3.150 | K 2.953 | P 14.094 | ES 3.149 | depth 0.500 |
| S 0.500 | N-W 4.622 | U 1.875 | R 1.594 | AB 11.850 |
| D 7.000 | G 1.024 | O 14.362 | HD 16.803 | H 0.531 |
| C 27.905 | AA NPT 1 1/2" | d1 A 4 | d2 A 4 | T 2.441 |
| Flange FD-317 | AJ 12.500 | AK 11.000 | BD 14.000 | BF 0.828 |
| BB 0.203 | | | | |