



No.:

Date: 27-DEC-2012

Customer :

TECHNICAL PROPOSAL

Three-phase induction motor - Squirrel cage rotor

Product line : Oil Well Pumping : High Slip - NEMA Design "D" - TEFC (IP55)

Catalog Number : 01512ES3EOW284T

List Price : \$2,679

Notes:

Performed by:

Checked:



No.:

Date: 27-DEC-2012

DATA SHEET

Three-phase induction motor - Squirrel cage rotor

Customer :
Product line : Oil Well Pumping : High Slip - NEMA Design "D" - TEFC (IP55)

Frame : 284T
Output : 15 HP
Frequency : 60 Hz
Poles : 6
Full load speed : 1115
Slip : 7.08 %
Voltage : 208-230/460 V
Rated current : 40.8-36.9/18.5 A
Locked rotor current : 225/113 A
Locked rotor current (I_L/I_n) : 6.1
No-load current : 11.0/5.50 A
Full load torque : 69.7 lb.ft
Locked rotor torque : 300 %
Breakdown torque : 0 %
Design : D
Insulation class : F
Temperature rise : 80 K
Locked rotor time : 16 s (hot)
Service factor : 1.15
Duty cycle : S1
Ambient temperature : -20°C - +40°C
Altitude : 1000
Degree of Protection : IP55
Approximate weight : 391 lb
Moment of inertia : 7.1992 sq.ft.lb
Noise level : 59 dB(A)

	D.E.	N.D.E.	Load	Power factor	Efficiency (%)
Bearings	6311 C3	6211 C3	100%	0.88	85.0
Regreasing interval	20000 h	20000 h	75%	0.85	86.0
Grease amount	18 g	11 g	50%	0.78	85.0

Notes:

Performed by

Checked

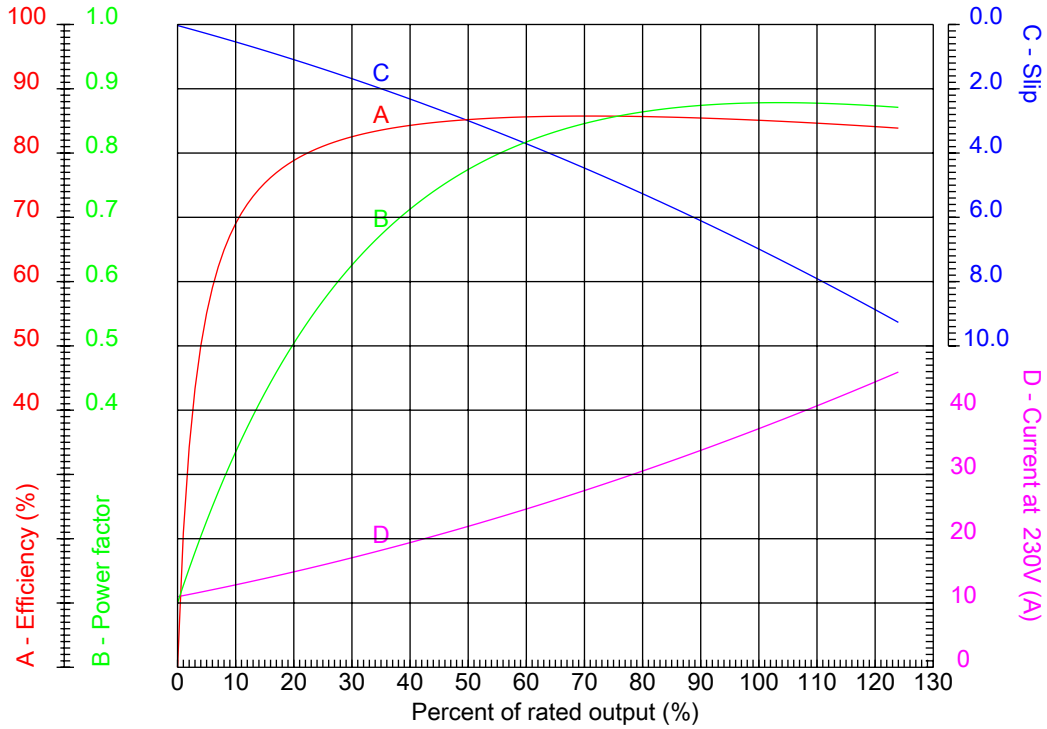


No.:

Date: 27-DEC-2012

PERFORMANCE CURVES RELATED TO RATED OUTPUT

Three-phase induction motor - Squirrel cage rotor



Customer :
Product line : Oil Well Pumping : High Slip - NEMA Design "D" - TEFC (IP55)

Frame : 284T	Locked rotor current (I _l /I _n) : 6.1
Output : 15 HP	Duty cycle : S1
Frequency : 60 Hz	Service factor : 1.15
Full load speed : 1115	Design : D
Voltage : 208-230/460 V	Locked rotor torque : 300 %
Rated current : 40.8-36.9/18.5 A	Breakdown torque : 0 %
Insulation class : F	

Notes:

Performed by

Checked

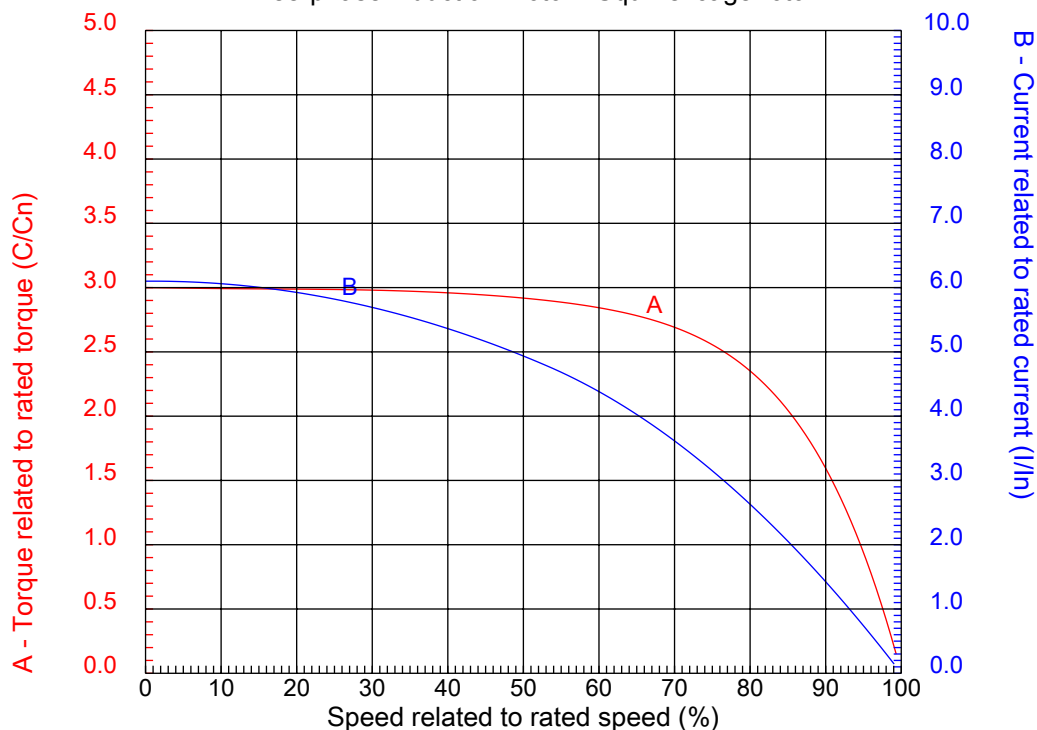


No.:

Date: 27-DEC-2012

CHARACTERISTIC CURVES RELATED TO SPEED

Three-phase induction motor - Squirrel cage rotor



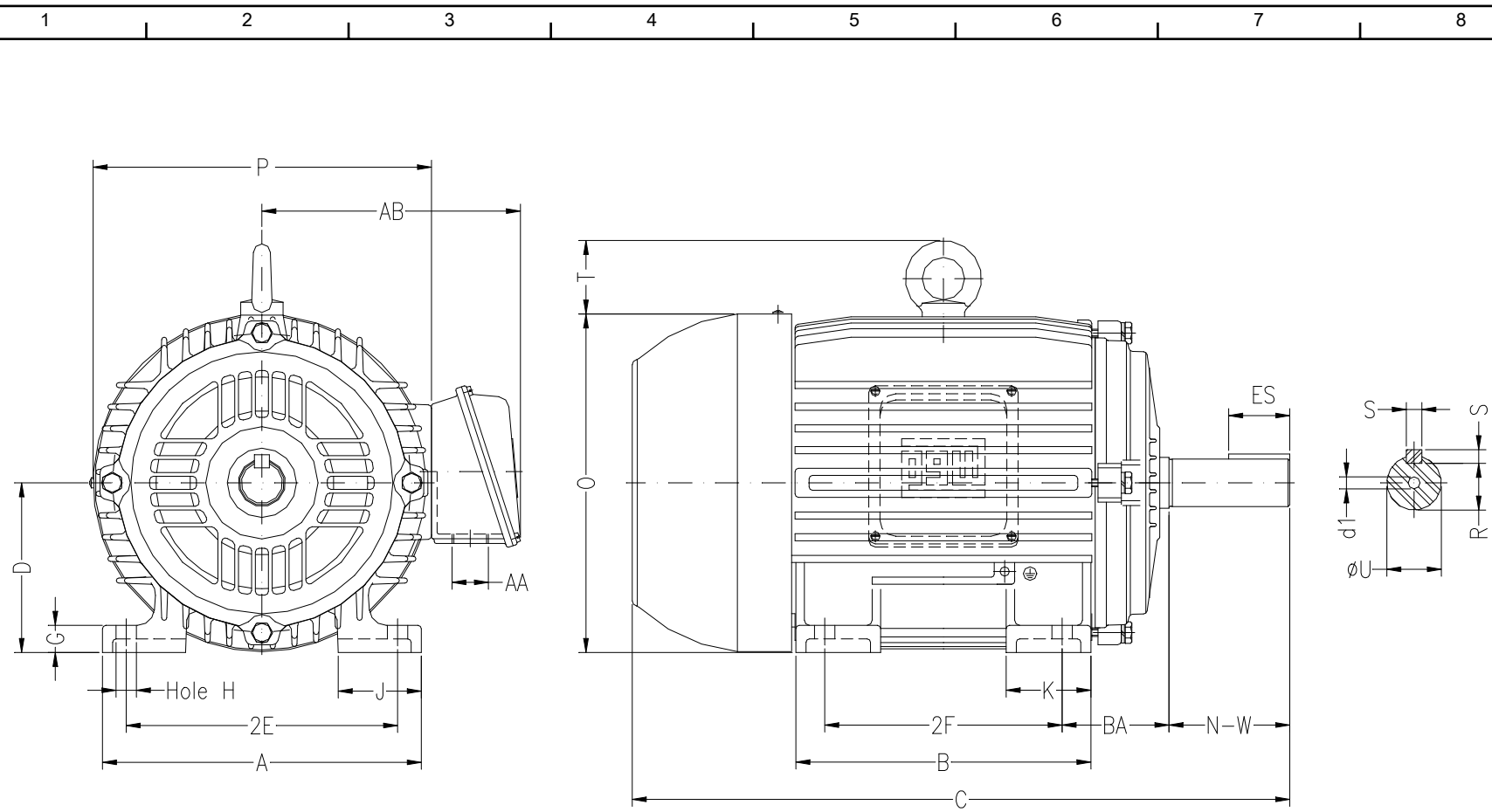
Customer :
Product line : Oil Well Pumping : High Slip - NEMA Design "D" - TEFC (IP55)

Frame	: 284T	Locked rotor current (I _l /I _n)	: 6.1
Output	: 15 HP	Duty cycle	: S1
Frequency	: 60 Hz	Service factor	: 1.15
Full load speed	: 1115	Design	: D
Voltage	: 208-230/460 V	Locked rotor torque	: 300 %
Rated current	: 40.8-36.9/18.5 A	Breakdown torque	: 0 %
Insulation class	: F		

Notes:

Performed by

Checked



Notes:

2E 11.000	A 13.780	2F 9.500	B 11.575	BA 4.750
J 3.150	K 2.953	P 14.094	ES 3.149	depth 0.500
S 0.500	N-W 4.622	U 1.875	R 1.594	AB 10.866
D 7.000	G 1.016	O 14.067	T 2.087	HD 16.154
H 0.531	C 26.433	AA NPT 1 1/2"	d1 A 4	d2 A 4
Flange FD-317	AJ 12.500	AK 11.000	BD 14.000	BF 0.828
BB 0.203				

Performed by:

Checked:

Customer:

Oil Well Pumping : High Slip - NEMA Design "D" - TEFC (IP55)

Three-phase induction motor
Frame 284T - IP55

27-DEC-2012

