



No.:

Date: 27-DEC-2012

Customer :

TECHNICAL PROPOSAL

Three-phase induction motor - Squirrel cage rotor

Product line : Close Coupled Pump: Three-Phase - W22 "JP" Type - TEFC - NEMA Premium

Catalog Number : 01512ET3E284JP-W22

List Price : \$3,972

Notes:

Performed by:

Checked:



No.:

Date: 27-DEC-2012

DATA SHEET

Three-phase induction motor - Squirrel cage rotor

Customer :
Product line : Close Coupled Pump: Three-Phase - W22 "JP" Type - TEFC - NEMA Premium

Frame : 284JP
Output : 15 HP
Frequency : 60 Hz
Poles : 6
Full load speed : 1175
Slip : 2.08 %
Voltage : 208-230/460 V
Rated current : 39.6-35.8/17.9 A
Locked rotor current : 236/118 A
Locked rotor current (I_L/I_n) : 6.6
No-load current : 15.0/7.50 A
Full load torque : 66.1 lb.ft
Locked rotor torque : 230 %
Breakdown torque : 270 %
Design : B
Insulation class : F
Temperature rise : 80 K
Locked rotor time : 20 s (hot)
Service factor : 1.25
Duty cycle : S1
Ambient temperature : -20°C - +40°C
Altitude : 1000
Degree of Protection : IP55
Approximate weight : 379 lb
Moment of inertia : 7.8534 sq.ft.lb
Noise level : 59 dB(A)

| | D.E. | N.D.E. | Load | Power factor | Efficiency (%) |
|---------------------|---------|---------|------|--------------|----------------|
| Bearings | 6311 C3 | 6211 C3 | 100% | 0.84 | 91.7 |
| Regreasing interval | 20000 h | 20000 h | 75% | 0.80 | 91.7 |
| Grease amount | 18 g | 11 g | 50% | 0.69 | 91.0 |

Notes:

Performed by

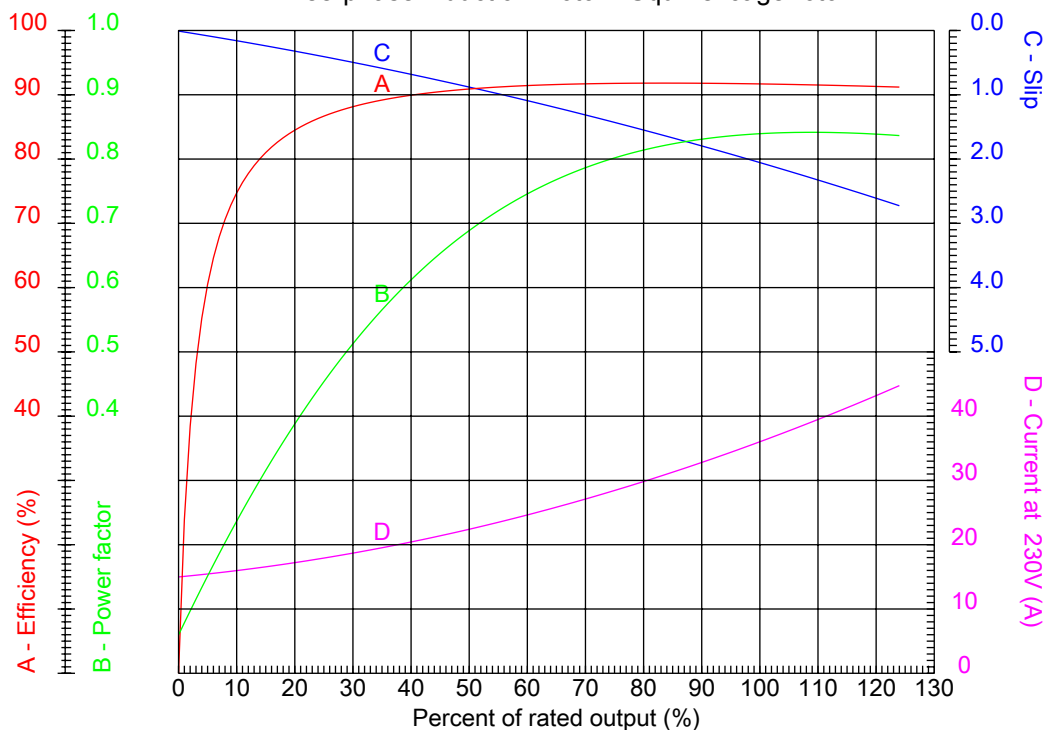
Checked



No.:

Date: 27-DEC-2012

PERFORMANCE CURVES RELATED TO RATED OUTPUT Three-phase induction motor - Squirrel cage rotor



Customer :
Product line : Close Coupled Pump: Three-Phase - W22 "JP" Type - TEFC - NEMA Premium

| | | | |
|------------------|--------------------|--|---------|
| Frame | : 284JP | Locked rotor current (I _l /I _n) | : 6.6 |
| Output | : 15 HP | Duty cycle | : S1 |
| Frequency | : 60 Hz | Service factor | : 1.25 |
| Full load speed | : 1175 | Design | : B |
| Voltage | : 208-230/460 V | Locked rotor torque | : 230 % |
| Rated current | : 39.6-35.8/17.9 A | Breakdown torque | : 270 % |
| Insulation class | : F | | |

Notes:

Performed by

Checked

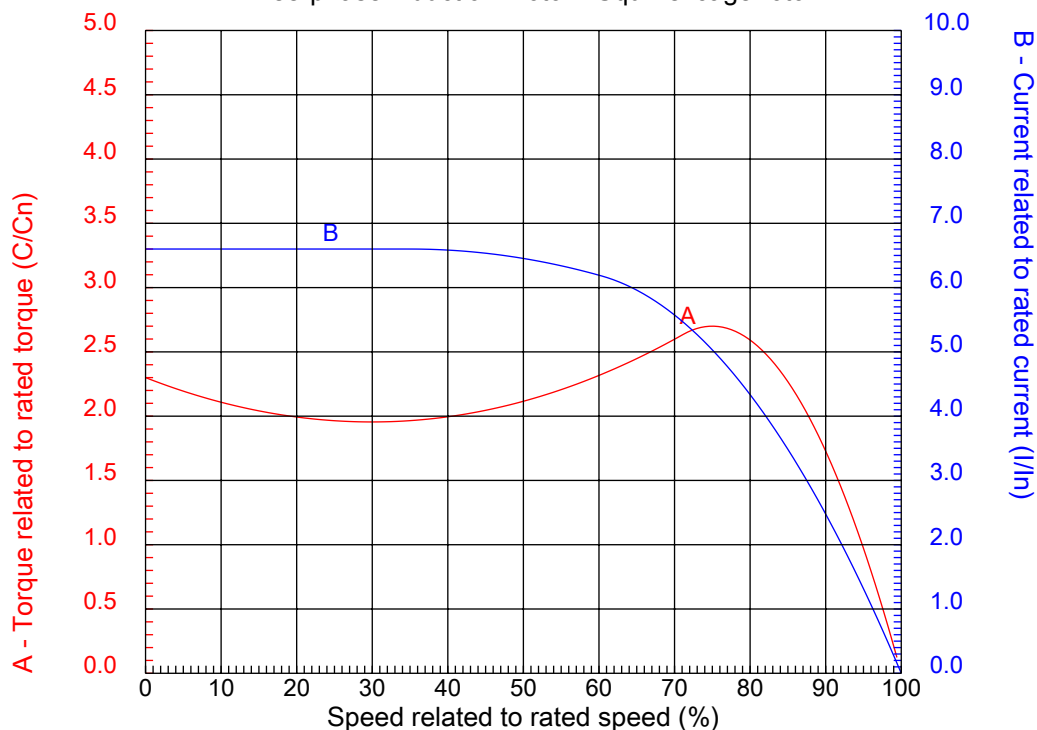


No.:

Date: 27-DEC-2012

CHARACTERISTIC CURVES RELATED TO SPEED

Three-phase induction motor - Squirrel cage rotor



Customer :
Product line : Close Coupled Pump: Three-Phase - W22 "JP" Type - TEFC - NEMA Premium

| | | | |
|------------------|--------------------|--|---------|
| Frame | : 284JP | Locked rotor current (I _l /I _n) | : 6.6 |
| Output | : 15 HP | Duty cycle | : S1 |
| Frequency | : 60 Hz | Service factor | : 1.25 |
| Full load speed | : 1175 | Design | : B |
| Voltage | : 208-230/460 V | Locked rotor torque | : 230 % |
| Rated current | : 39.6-35.8/17.9 A | Breakdown torque | : 270 % |
| Insulation class | : F | | |

Notes:

Performed by

Checked

1 2 3 4 5 6 7 8

A

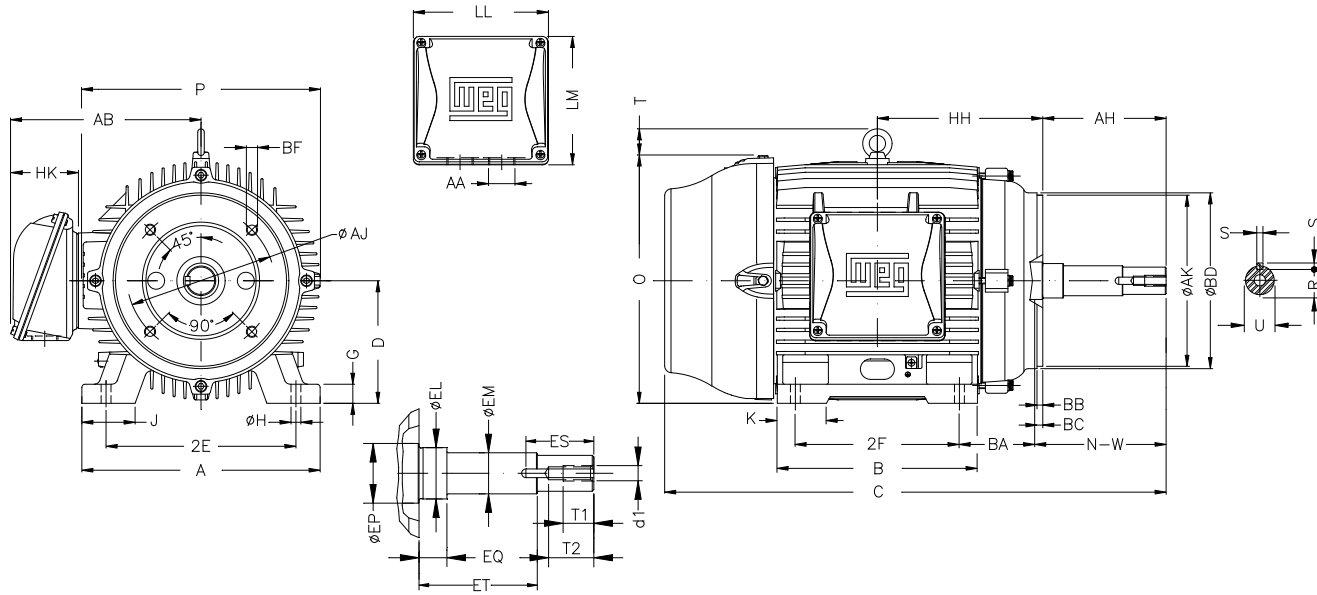
B

C

D

E

F



Notes:

| | | | | |
|------------------|-------------------|------------------|--------------|--------------|
| 2E 11.000 | J 3.110 | A 13.780 | P 14.173 | AB 10.984 |
| 2F 9.500 | K 2.874 | B 11.575 | BA 4.750 | D 7.000 |
| G 1.023 | O 14.067 | T 2.087 | HD 16.154 | H 0.531 |
| AA NPT 1 1/2" | ER 8.130 | EQ 2.382 | ET 5.886 | U 1.249 |
| EM 1.375 | EL 1.750 | EP 2.163 | ES 2.480 | t1 0.984 |
| t2 1.496 | C 30.079 | Flange FC-279 | AJ 11.000 | AK 12.500 |
| BD 13.593 | BF UNC 5/8"x11 | BB 0.248 | BC --- | AH 8.130 |

Performed by:

Checked:

Customer:

Close Coupled Pump: Three-Phase - W22 "JP" Type - TEFC - NEMA Premium

Three-phase induction motor
Frame 284JP - IP55

27-DEC-2012

