



No.:

Date: 27-DEC-2012

Customer :

TECHNICAL PROPOSAL

Three-phase induction motor - Squirrel cage rotor

Product line : Three-Phase: W22 IEEE-841™ Petrochem Motors - NEMA Premium® Efficiency

Catalog Number : 01512ST3QIE284TC-W22

List Price : \$4,403

Notes:

Performed by:

Checked:



No.:

Date: 27-DEC-2012

DATA SHEET

Three-phase induction motor - Squirrel cage rotor

Customer :
 Product line : Three-Phase: W22 IEEE-841™ Petrochem Motors - NEMA Premium® Efficiency

Frame : 284T
 Output : 15 HP
 Frequency : 60 Hz
 Poles : 6
 Full load speed : 1175
 Slip : 2.08 %
 Voltage : 460 V
 Rated current : 17.9 A
 Locked rotor current : 118 A
 Locked rotor current (I_L/I_n) : 6.6
 No-load current : 7.50 A
 Full load torque : 66.1 lb.ft
 Locked rotor torque : 230 %
 Breakdown torque : 270 %
 Design : B
 Insulation class : F
 Temperature rise : 80 K
 Locked rotor time : 20 s (hot)
 Service factor : 1.25
 Duty cycle : S1
 Ambient temperature : -20°C - +40°C
 Altitude : 1000
 Degree of Protection : IP55
 Approximate weight : 379 lb
 Moment of inertia : 7.8534 sq.ft.lb
 Noise level : 59 dB(A)

	D.E.	N.D.E.	Load	Power factor	Efficiency (%)
Bearings	6311 C3	6211 C3	100%	0.84	91.7
Regreasing interval	20000 h	20000 h	75%	0.80	91.7
Grease amount	18 g	11 g	50%	0.69	91.0

Notes:

Performed by

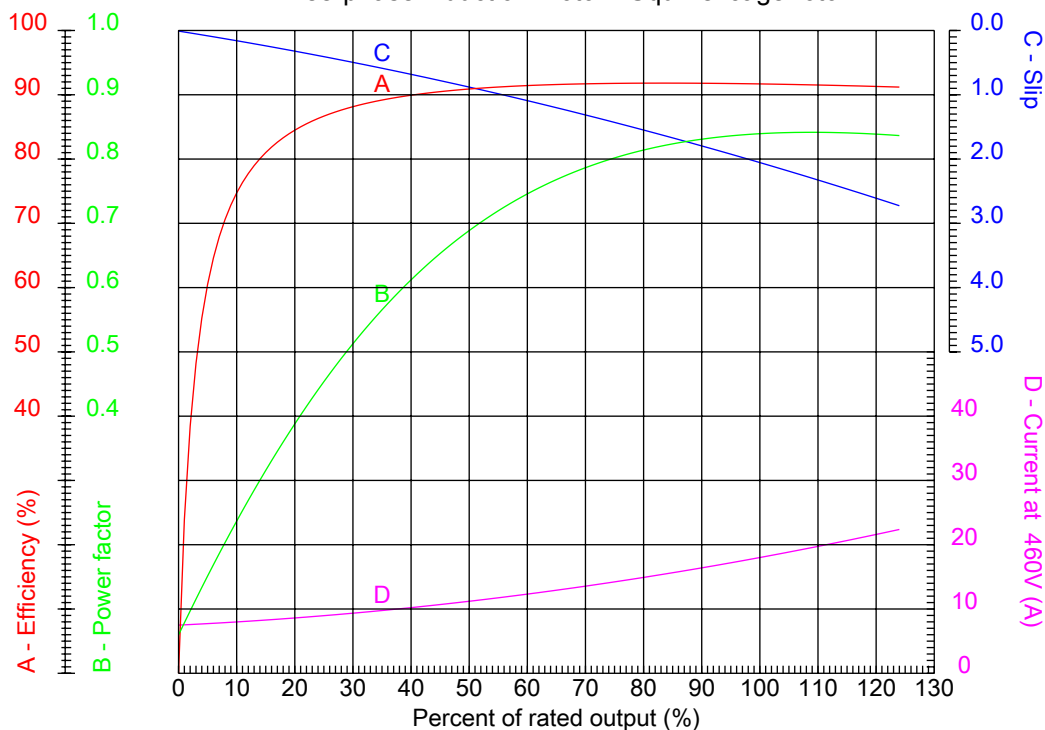
Checked



No.:

Date: 27-DEC-2012

PERFORMANCE CURVES RELATED TO RATED OUTPUT Three-phase induction motor - Squirrel cage rotor



Customer :
Product line : Three-Phase: W22 IEEE-841™ Petrochem Motors - NEMA Premium® Efficiency

Frame	: 284T	Locked rotor current (I _L /I _n)	: 6.6
Output	: 15 HP	Duty cycle	: S1
Frequency	: 60 Hz	Service factor	: 1.25
Full load speed	: 1175	Design	: B
Voltage	: 460 V	Locked rotor torque	: 230 %
Rated current	: 17.9 A	Breakdown torque	: 270 %
Insulation class	: F		

Notes:

Performed by

Checked

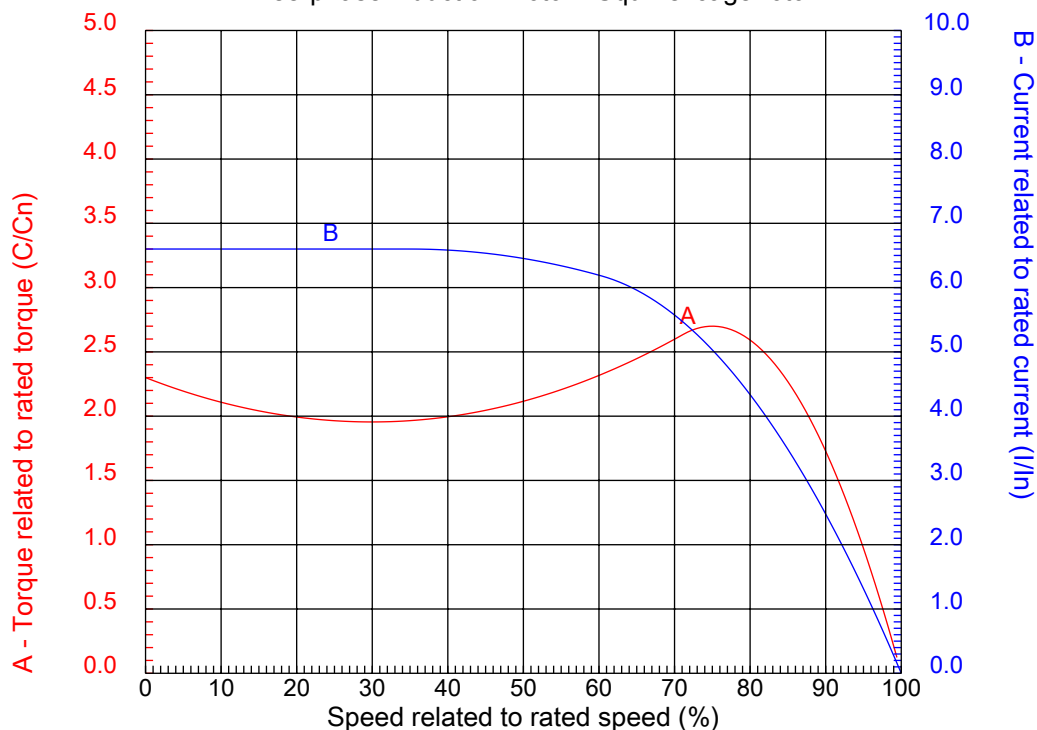


No.:

Date: 27-DEC-2012

CHARACTERISTIC CURVES RELATED TO SPEED

Three-phase induction motor - Squirrel cage rotor



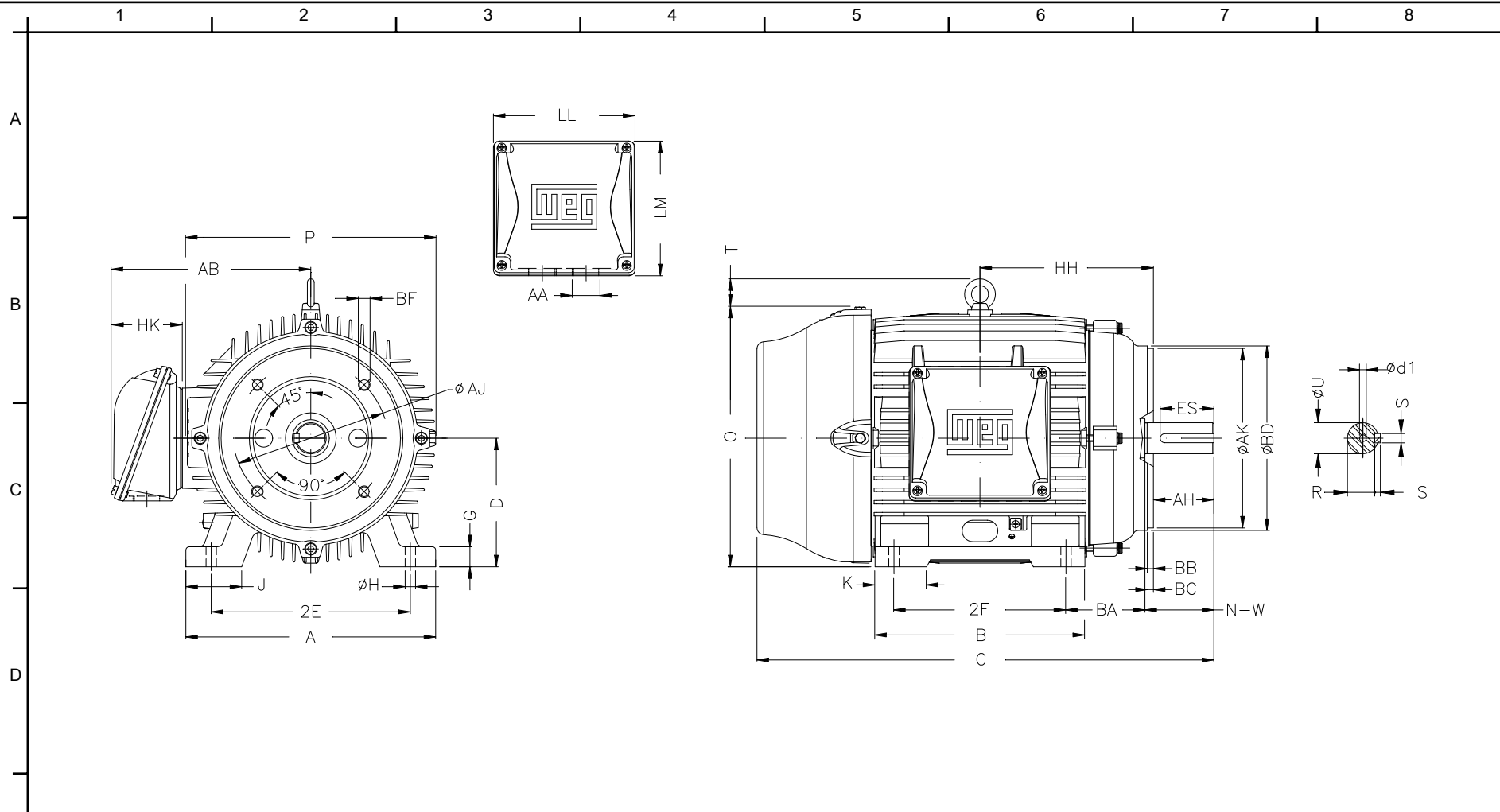
Customer :
Product line : Three-Phase: W22 IEEE-841™ Petrochem Motors - NEMA Premium® Efficiency

Frame	: 284T	Locked rotor current (I _l /I _n)	: 6.6
Output	: 15 HP	Duty cycle	: S1
Frequency	: 60 Hz	Service factor	: 1.25
Full load speed	: 1175	Design	: B
Voltage	: 460 V	Locked rotor torque	: 230 %
Rated current	: 17.9 A	Breakdown torque	: 270 %
Insulation class	: F		

Notes:

Performed by

Checked



E	2E 11.000	J 3.110	A 13.780	P 14.173	AB 10.984
	2F 9.500	K 2.874	B 11.575	BA 4.750	U 1.875
	N-W 4.622	ES 3.543	S 0.500	R 1.594	depth 0.500
	D 7.000	G 1.023	HB 3.535	O 14.067	T 2.087
	HD 16.154	HF 7.000	HH 9.500	HK 3.937	H 0.531
F	C 26.433	LL 7.795	LM 7.402	AA NPT 1 1/2"	d1 A 4
	d2 A 4	Flange FC-228	AJ 9.000	AK 10.500	BD 11.03
	BF UNC 1/2"x13	BB 0.250	BC 0.250	AH 4.375	

Notes:

Performed by:

Checked:

Customer:

Three-Phase: W22 IEEE-841™ Petrochem Motors - NEMA Premium® Efficiency

Three-phase induction motor Frame 284T - IP55	27-DEC-2012	
--	-------------	--