



No.:

Date: 27-DEC-2012

Customer :

TECHNICAL PROPOSAL

Three-phase induction motor - Squirrel cage rotor

Product line : Three-Phase : Explosion Proof - NEMA Premium

Catalog Number : 01518XT3ER254TC

List Price : \$3,029

Notes:

Performed by:

Checked:



No.:

Date: 27-DEC-2012

## DATA SHEET

### Three-phase induction motor - Squirrel cage rotor

Customer :  
Product line : Three-Phase : Explosion Proof - NEMA Premium

Frame : 254T  
Output : 15 HP  
Frequency : 60 Hz  
Poles : 4  
Full load speed : 1770  
Slip : 1.67 %  
Voltage : 208-230/460 V  
Rated current : 40.7-36.8/18.4 A  
Locked rotor current : 269/134 A  
Locked rotor current (I<sub>L</sub>/I<sub>n</sub>) : 7.3  
No-load current : 17.2/8.60 A  
Full load torque : 43.9 lb.ft  
Locked rotor torque : 300 %  
Breakdown torque : 300 %  
Design : B  
Insulation class : F  
Temperature rise : 80 K  
Locked rotor time : 26 s (hot)  
Service factor : 1.15  
Duty cycle : S1  
Ambient temperature : -20°C - +40°C  
Altitude : 1000  
Degree of Protection : IP54  
Approximate weight : 329 lb  
Moment of inertia : 2.3111 sq.ft.lb  
Noise level : 69 dB(A)

	D.E.	N.D.E.	Load	Power factor	Efficiency (%)
Bearings	6309 C3	6209 Z-C3	100%	0.81	92.4
Regreasing interval	20000 h	20000 h	75%	0.75	91.7
Grease amount	13 g	9 g	50%	0.65	90.2

Notes:

Performed by

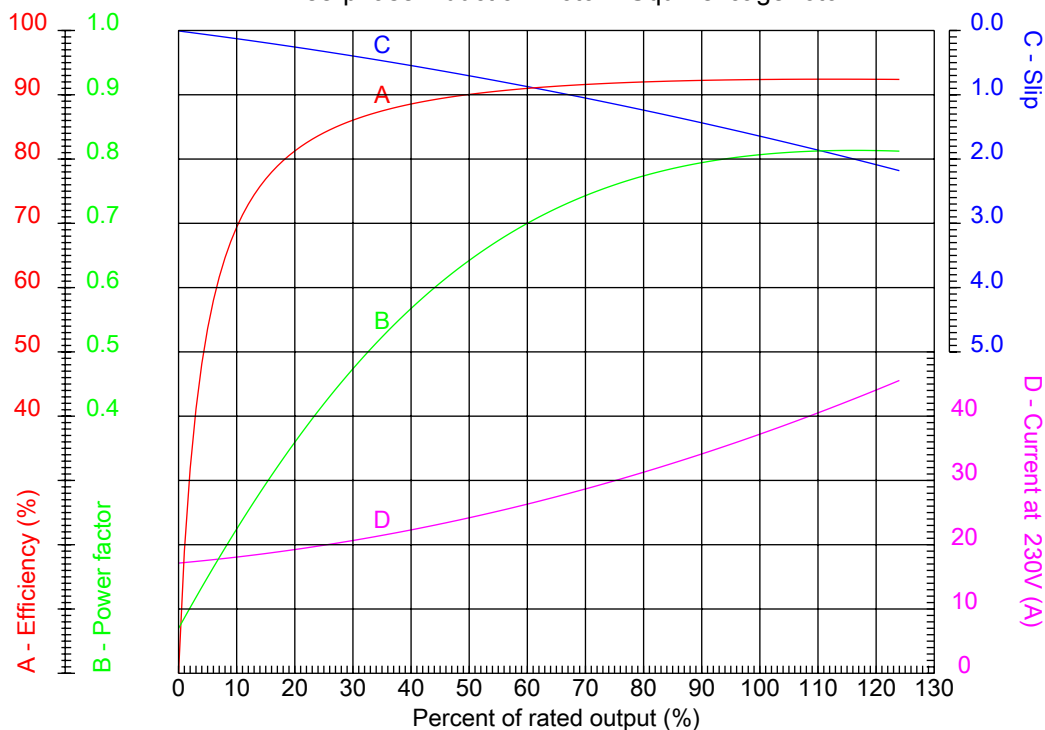
Checked



No.:

Date: 27-DEC-2012

### PERFORMANCE CURVES RELATED TO RATED OUTPUT Three-phase induction motor - Squirrel cage rotor



Customer :  
Product line : Three-Phase : Explosion Proof - NEMA Premium

Frame : 254T	Locked rotor current (I <sub>l</sub> /I <sub>n</sub> ) : 7.3
Output : 15 HP	Duty cycle : S1
Frequency : 60 Hz	Service factor : 1.15
Full load speed : 1770	Design : B
Voltage : 208-230/460 V	Locked rotor torque : 300 %
Rated current : 40.7-36.8/18.4 A	Breakdown torque : 300 %
Insulation class : F	

Notes:

Performed by

Checked

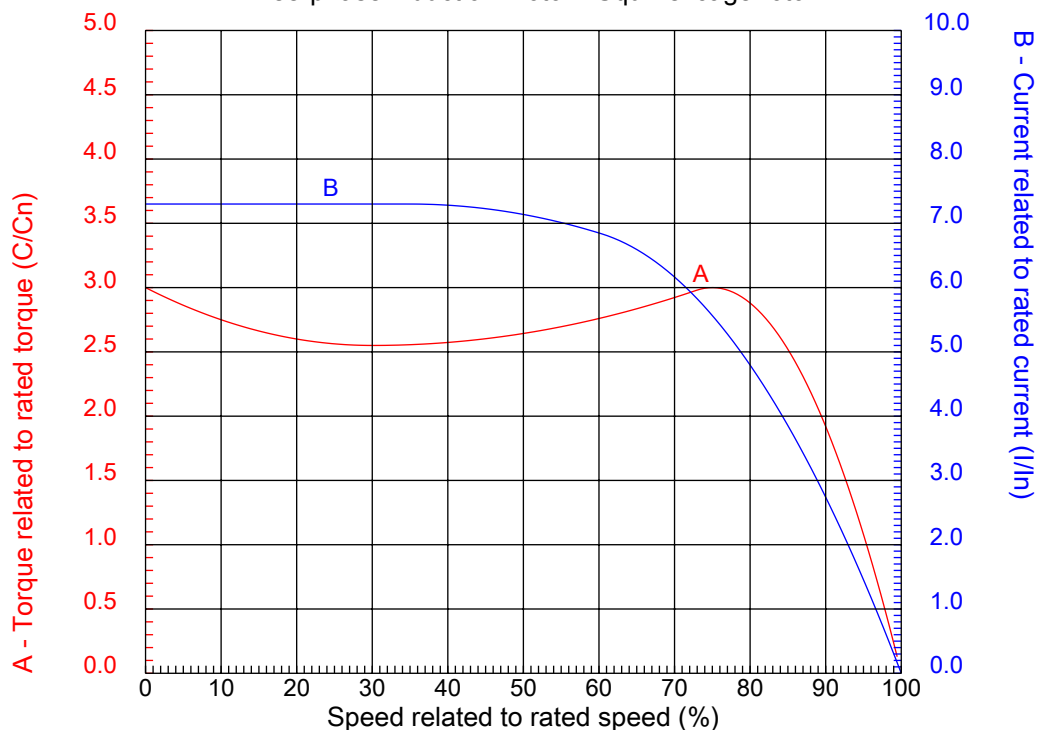


No.:

Date: 27-DEC-2012

### CHARACTERISTIC CURVES RELATED TO SPEED

Three-phase induction motor - Squirrel cage rotor



Customer :  
Product line : Three-Phase : Explosion Proof - NEMA Premium

Frame	: 254T	Locked rotor current (I <sub>l</sub> /I <sub>n</sub> )	: 7.3
Output	: 15 HP	Duty cycle	: S1
Frequency	: 60 Hz	Service factor	: 1.15
Full load speed	: 1770	Design	: B
Voltage	: 208-230/460 V	Locked rotor torque	: 300 %
Rated current	: 40.7-36.8/18.4 A	Breakdown torque	: 300 %
Insulation class	: F		

Notes:

Performed by

Checked

1 2 3 4 5 6 7 8

A

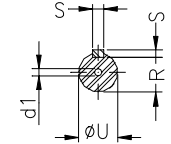
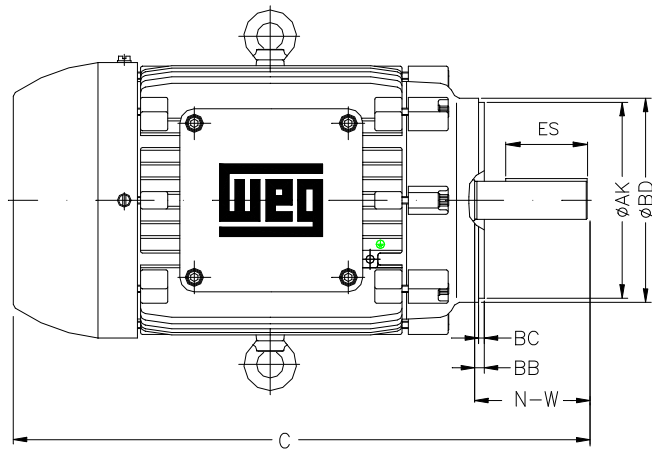
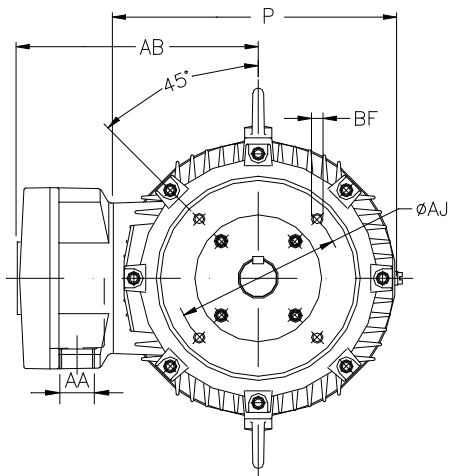
B

C

D

E

F



Notes:

Performed by:

Checked:

Customer:

Three-Phase : Explosion Proof - NEMA Premium

Three-phase induction motor  
Frame 254T - IP54

27-DEC-2012



P	ES	S	depth	N-W
12.224	2.756	0.375	0.375	4.000
U	R	AB	C	AA
1.625	1.406	11.063	23.175	NPT 1 1/2"
d1	d2	Flange	AJ	AK
A 4	A 4	FC-184	7.250	8.500
BD	BF	BB	BC	AH
8.875	UNC 1/2"x13	0.250	0.250	3.750