



No.:

Date: 27-DEC-2012

Customer :

TECHNICAL PROPOSAL

Three-phase induction motor - Squirrel cage rotor

Product line : Close Coupled Pump : Three-Phase - "JM" Type - ODP - NEMA Premium

Catalog Number : 01536OT3E215JM

List Price : \$1,707

Notes:

Performed by:

Checked:



No.:

Date: 27-DEC-2012

## DATA SHEET

### Three-phase induction motor - Squirrel cage rotor

Customer :  
Product line : Close Coupled Pump : Three-Phase - "JM" Type - ODP - NEMA Premium

Frame : 213/5JM  
Output : 15 HP  
Frequency : 60 Hz  
Poles : 2  
Full load speed : 3515  
Slip : 2.36 %  
Voltage : 208-230/460 V  
Rated current : 38.5-34.8/17.4 A  
Locked rotor current : 251/125 A  
Locked rotor current (I<sub>L</sub>/I<sub>n</sub>) : 7.2  
No-load current : 11.6/5.80 A  
Full load torque : 22.1 lb.ft  
Locked rotor torque : 210 %  
Breakdown torque : 270 %  
Design : B  
Insulation class : F  
Temperature rise : 80 K  
Locked rotor time : 9 s (hot)  
Service factor : 1.15  
Duty cycle : S1  
Ambient temperature : -20°C - +40°C  
Altitude : 1000  
Degree of Protection : IP21  
Approximate weight : 126 lb  
Moment of inertia : 0.57664 sq.ft.lb  
Noise level : ---

	D.E.	N.D.E.	Load	Power factor	Efficiency (%)
Bearings	6209 ZZ	6206 ZZ	100%	0.87	91.0
Regreasing interval	---	---	75%	0.82	91.0
Grease amount	---	---	50%	0.73	90.2

Notes:

Performed by

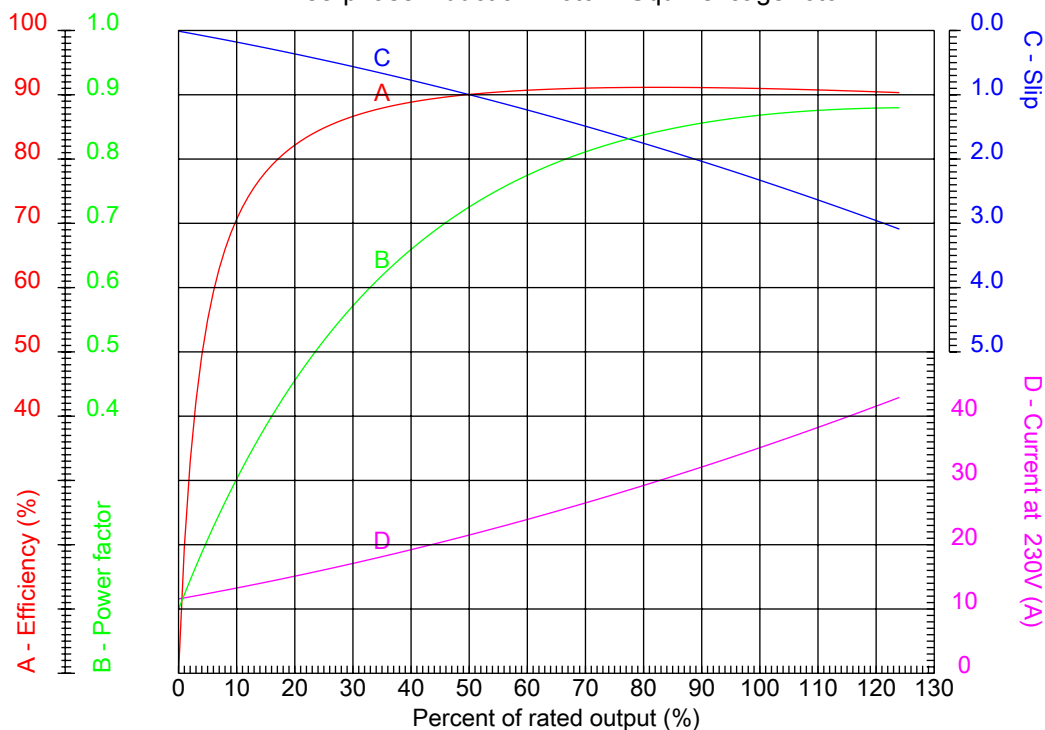
Checked



No.:

Date: 27-DEC-2012

### PERFORMANCE CURVES RELATED TO RATED OUTPUT Three-phase induction motor - Squirrel cage rotor



Customer :  
Product line : Close Coupled Pump : Three-Phase - "JM" Type - ODP - NEMA Premium

Frame	: 213/5JM	Locked rotor current (I <sub>l</sub> /I <sub>n</sub> )	: 7.2
Output	: 15 HP	Duty cycle	: S1
Frequency	: 60 Hz	Service factor	: 1.15
Full load speed	: 3515	Design	: B
Voltage	: 208-230/460 V	Locked rotor torque	: 210 %
Rated current	: 38.5-34.8/17.4 A	Breakdown torque	: 270 %
Insulation class	: F		

Notes:

Performed by

Checked

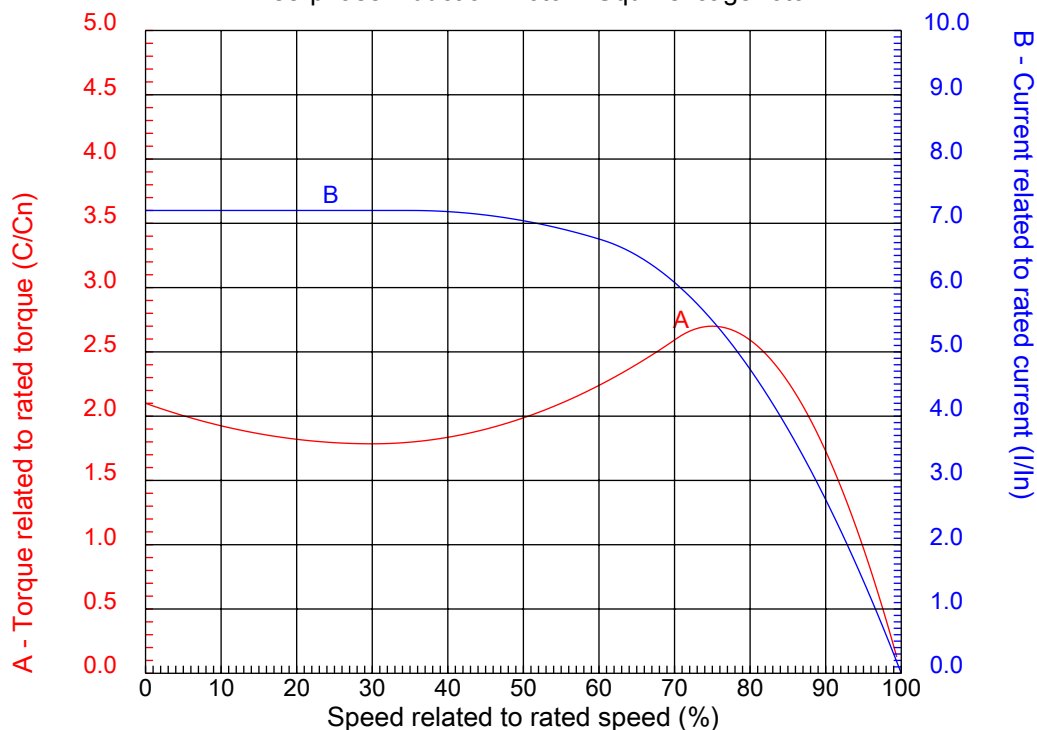


No.:

Date: 27-DEC-2012

### CHARACTERISTIC CURVES RELATED TO SPEED

Three-phase induction motor - Squirrel cage rotor



Customer :  
Product line : Close Coupled Pump : Three-Phase - "JM" Type - ODP - NEMA Premium

Frame	: 213/5JM	Locked rotor current (I <sub>l</sub> /I <sub>n</sub> )	: 7.2
Output	: 15 HP	Duty cycle	: S1
Frequency	: 60 Hz	Service factor	: 1.15
Full load speed	: 3515	Design	: B
Voltage	: 208-230/460 V	Locked rotor torque	: 210 %
Rated current	: 38.5-34.8/17.4 A	Breakdown torque	: 270 %
Insulation class	: F		

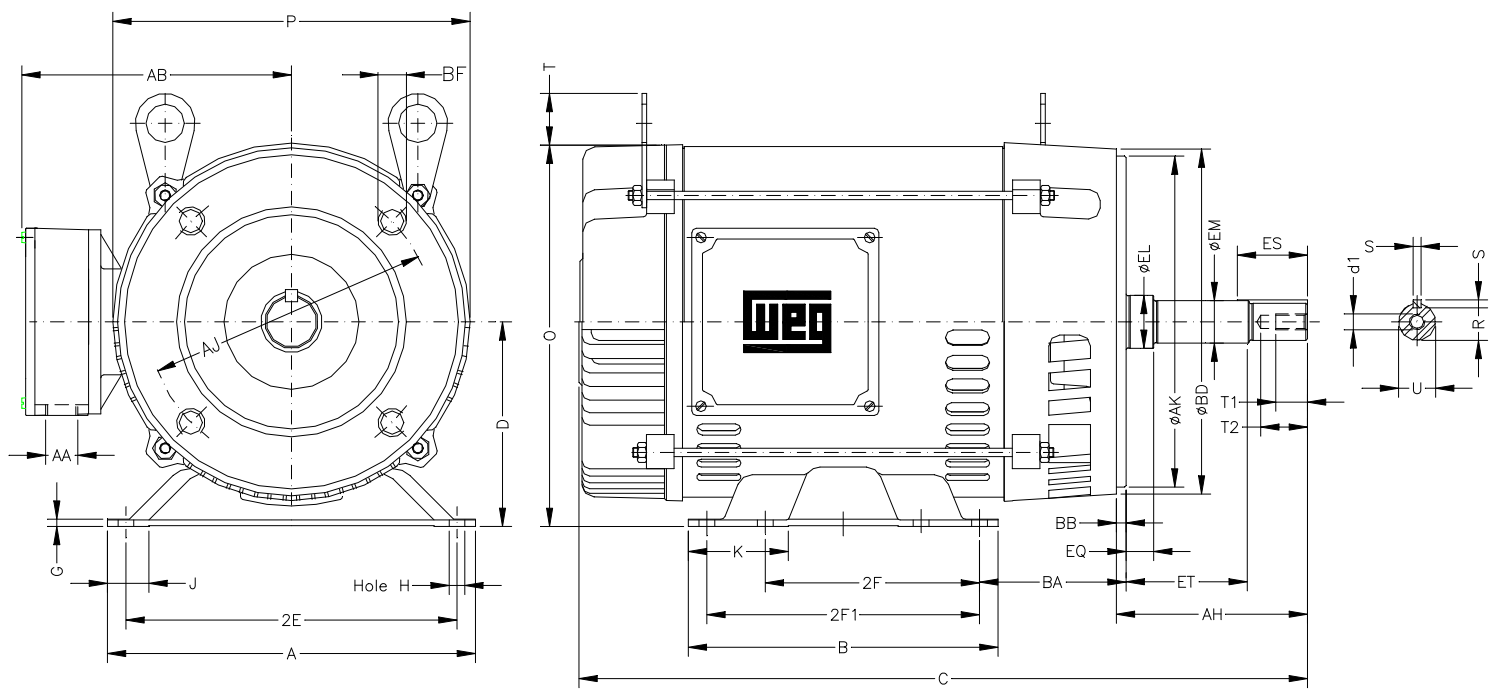
Notes:

Performed by

Checked

1 2 3 4 5 6 7 8

A  
B  
C  
D



E	2E	A	2F	B	J
	8.500	9.449	5.500/7.000	7.952	1.063
F	BA	D	K	G	O
	3.500	5.250	2.567	0.187	9.842
F	P	T	HD	AB	H
	8.779	1.378	11.220	7.795	2.567
F	EQ	ET	U	EM	EL
	0.630	2.880	0.874	1.000	1.250
F	S	EP	R	ES	d1
	0.187	1.769	0.768	1.575	EUNC 3/8"-16
F	t1	t2	C	Flange	AJ
	0.748	1.102	17.323	FC-184	7.250
F	AK	BD	BF	BB	BC
	8.500	8.858	UNC 1/2"x13	0.250	
F	AH				
	4.258				

Notes:

Performed by:

Checked:

Customer:

Close Coupled Pump : Three-Phase - "JM" Type - ODP - NEMA Premium

Three-phase induction motor  
Frame 213/5JM - IP21

27-DEC-2012

