



No.:

Date: 27-DEC-2012

Customer :

TECHNICAL PROPOSAL

Three-phase induction motor - Squirrel cage rotor

Product line : Three-Phase: W22 IEEE-841™ Petrochem Motors - NEMA Premium® Efficiency

Catalog Number : 01536ST3HIE254T-W22

List Price : \$2,428

Notes:

Performed by:

Checked:



No.:

Date: 27-DEC-2012

DATA SHEET

Three-phase induction motor - Squirrel cage rotor

Customer :
Product line : Three-Phase: W22 IEEE-841™ Petrochem Motors - NEMA Premium® Efficiency

Frame : 254T
Output : 15 HP
Frequency : 60 Hz
Poles : 2
Full load speed : 3530
Slip : 1.94 %
Voltage : 575 V
Rated current : 13.8 A
Locked rotor current : 93.6 A
Locked rotor current (I_L/I_n) : 6.8
No-load current : 4.80 A
Full load torque : 22.0 lb.ft
Locked rotor torque : 220 %
Breakdown torque : 270 %
Design : B
Insulation class : F
Temperature rise : 80 K
Locked rotor time : 25 s (hot)
Service factor : 1.25
Duty cycle : S1
Ambient temperature : -20°C - +40°C
Altitude : 1000
Degree of Protection : IP55
Approximate weight : 236 lb
Moment of inertia : 1.2565 sq.ft.lb
Noise level : 72 dB(A)

	D.E.	N.D.E.	Load	Power factor	Efficiency (%)
Bearings	6309 C3	6209 C3	100%	0.88	91.0
Regreasing interval	19000 h	20000 h	75%	0.85	91.0
Grease amount	13 g	9 g	50%	0.77	89.5

Notes:

Performed by

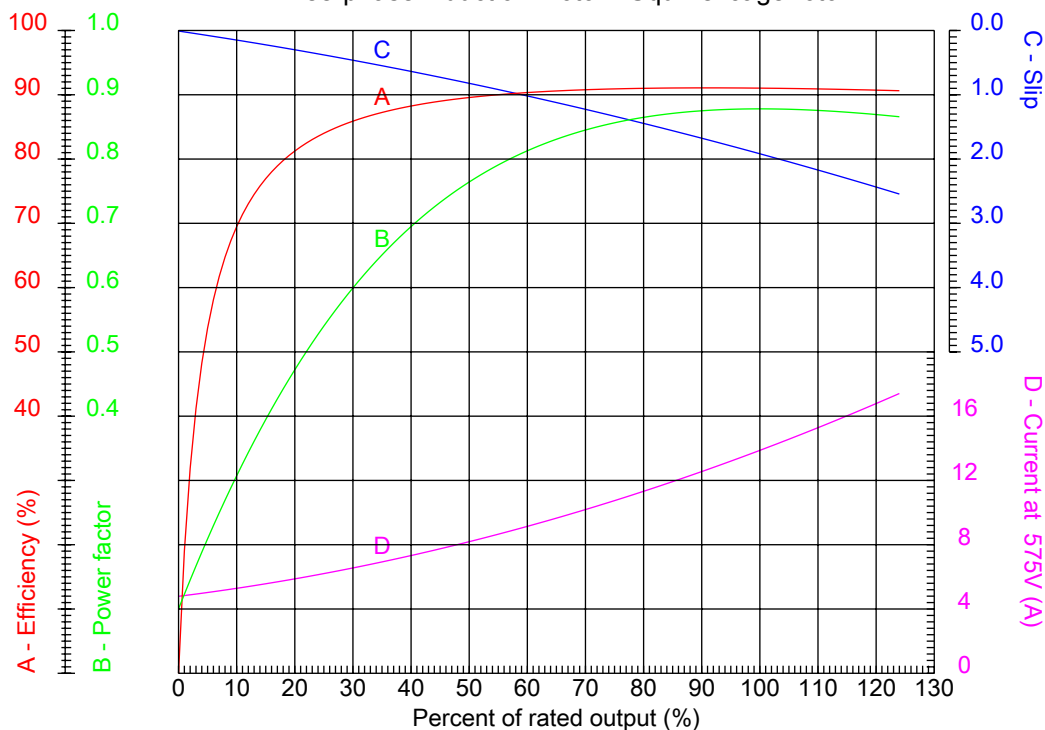
Checked



No.:

Date: 27-DEC-2012

PERFORMANCE CURVES RELATED TO RATED OUTPUT Three-phase induction motor - Squirrel cage rotor



Customer :
Product line : Three-Phase: W22 IEEE-841™ Petrochem Motors - NEMA Premium® Efficiency

Frame : 254T	Locked rotor current (I _l /I _n) : 6.8
Output : 15 HP	Duty cycle : S1
Frequency : 60 Hz	Service factor : 1.25
Full load speed : 3530	Design : B
Voltage : 575 V	Locked rotor torque : 220 %
Rated current : 13.8 A	Breakdown torque : 270 %
Insulation class : F	

Notes:

Performed by

Checked

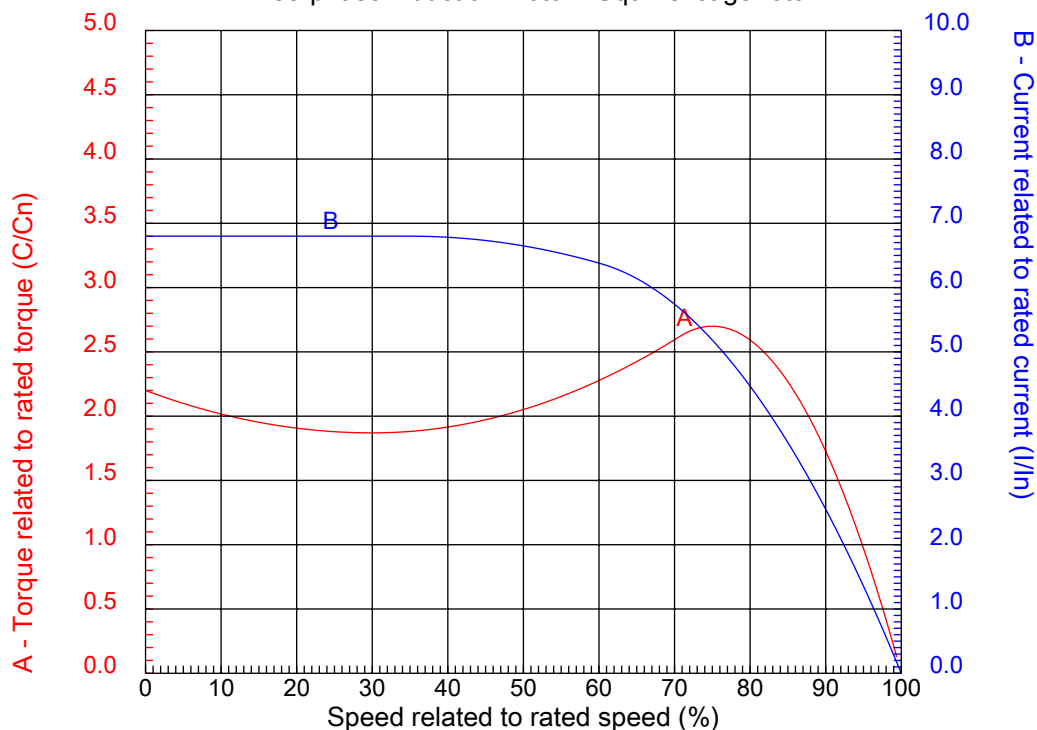


No.:

Date: 27-DEC-2012

CHARACTERISTIC CURVES RELATED TO SPEED

Three-phase induction motor - Squirrel cage rotor



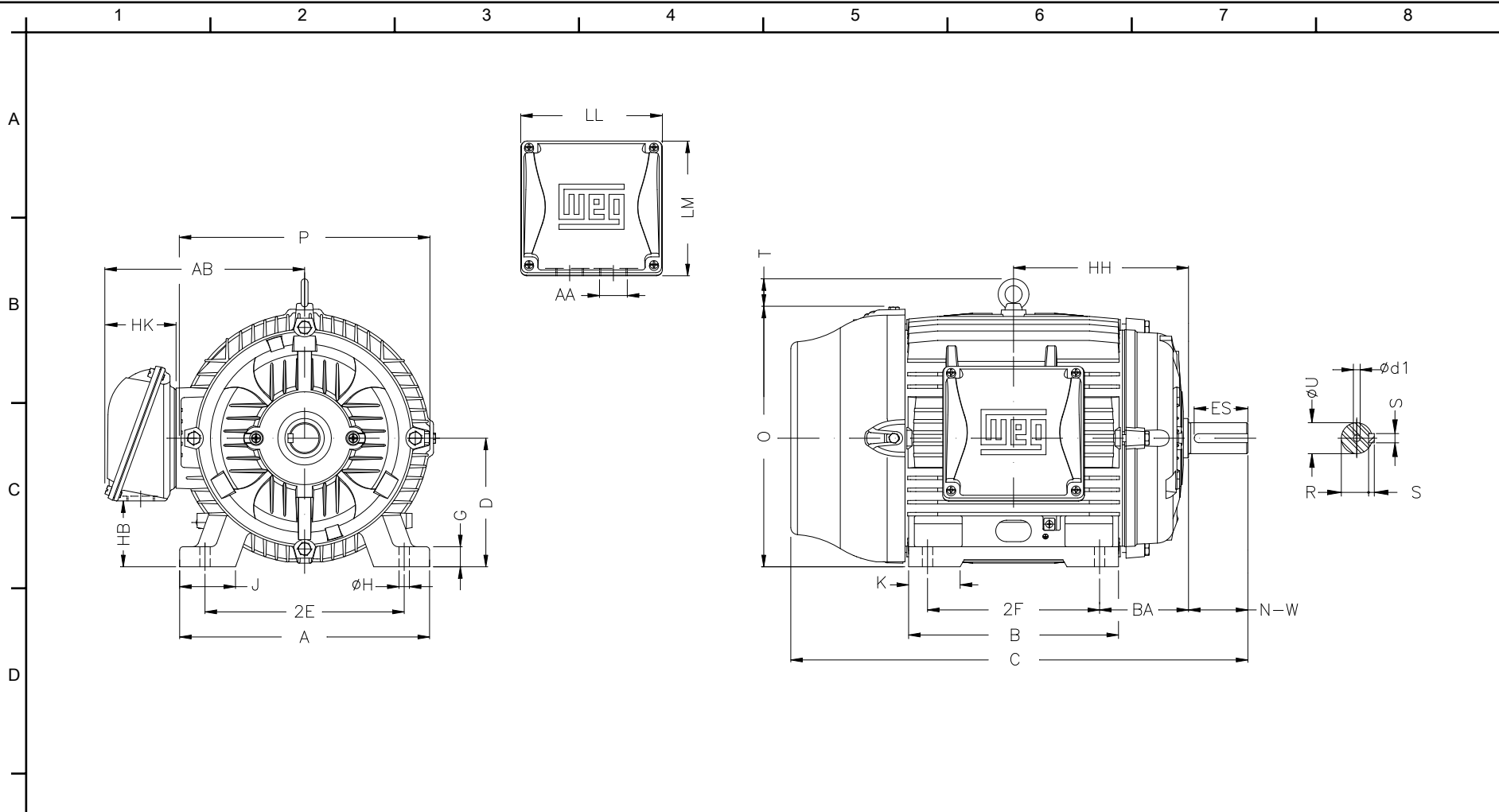
Customer :
Product line : Three-Phase: W22 IEEE-841™ Petrochem Motors - NEMA Premium® Efficiency

Frame	: 254T	Locked rotor current (I _l /I _n)	: 6.8
Output	: 15 HP	Duty cycle	: S1
Frequency	: 60 Hz	Service factor	: 1.25
Full load speed	: 3530	Design	: B
Voltage	: 575 V	Locked rotor torque	: 220 %
Rated current	: 13.8 A	Breakdown torque	: 270 %
Insulation class	: F		

Notes:

Performed by

Checked



E	2E	J	A	P	AB
	10.000	2.539	12.126	12.953	10.394
F	2F	K	B	BA	U
	8.252	2.559	10.000	4.250	1.625
F	N-W	ES	S	R	depth
	4.000	2.756	0.375	1.406	0.375
F	D	G	HB	O	T
	6.250	0.827	3.061	12.598	2.087
F	HD	HF	HH	HK	H
	14.685	6.565	8.376	3.937	0.531
F	C	LL	LM	AA	d1
	23.213	7.795	7.402	NPT 1 1/2"	A 4
F	d2	Flange	AJ	AK	BD
	A 4	FD-317	12.500	11.000	14.00
F	BF	BB			
	0.828	0.203			

Notes:

Performed by:

Checked:

Customer:

Three-Phase: W22 IEEE-841™ Petrochem Motors - NEMA Premium® Efficiency

Three-phase induction motor
Frame 254T - IP55

27-DEC-2012

