



No.:

Date: 27-DEC-2012

Customer :

TECHNICAL PROPOSAL

Three-phase induction motor - Squirrel cage rotor

Product line : Close Coupled Pump: Three-Phase - W22 "JP" Type - TEFC - NEMA Premium

Catalog Number : 02036ET3E256JP-W22

List Price : \$3,018

Notes:

Performed by:

Checked:



No.:

Date: 27-DEC-2012

DATA SHEET

Three-phase induction motor - Squirrel cage rotor

Customer :
Product line : Close Coupled Pump: Three-Phase - W22 "JP" Type - TEFC - NEMA Premium

Frame : 256JP
Output : 20 HP
Frequency : 60 Hz
Poles : 2
Full load speed : 3520
Slip : 2.22 %
Voltage : 208-230/460 V
Rated current : 51.3-46.4/23.2 A
Locked rotor current : 278/139 A
Locked rotor current (I_L/I_n) : 6.0
No-load current : 13.0/6.50 A
Full load torque : 29.4 lb.ft
Locked rotor torque : 200 %
Breakdown torque : 240 %
Design : B
Insulation class : F
Temperature rise : 80 K
Locked rotor time : 21 s (hot)
Service factor : 1.25
Duty cycle : S1
Ambient temperature : -20°C - +40°C
Altitude : 1000
Degree of Protection : IP55
Approximate weight : 269 lb
Moment of inertia : 1.5356 sq.ft.lb
Noise level : 72 dB(A)

| | D.E. | N.D.E. | Load | Power factor | Efficiency (%) |
|---------------------|---------|---------|------|--------------|----------------|
| Bearings | 6309 C3 | 6209 C3 | 100% | 0.89 | 91.0 |
| Regreasing interval | 19000 h | 20000 h | 75% | 0.87 | 91.7 |
| Grease amount | 13 g | 9 g | 50% | 0.82 | 91.0 |

Notes:

Performed by

Checked

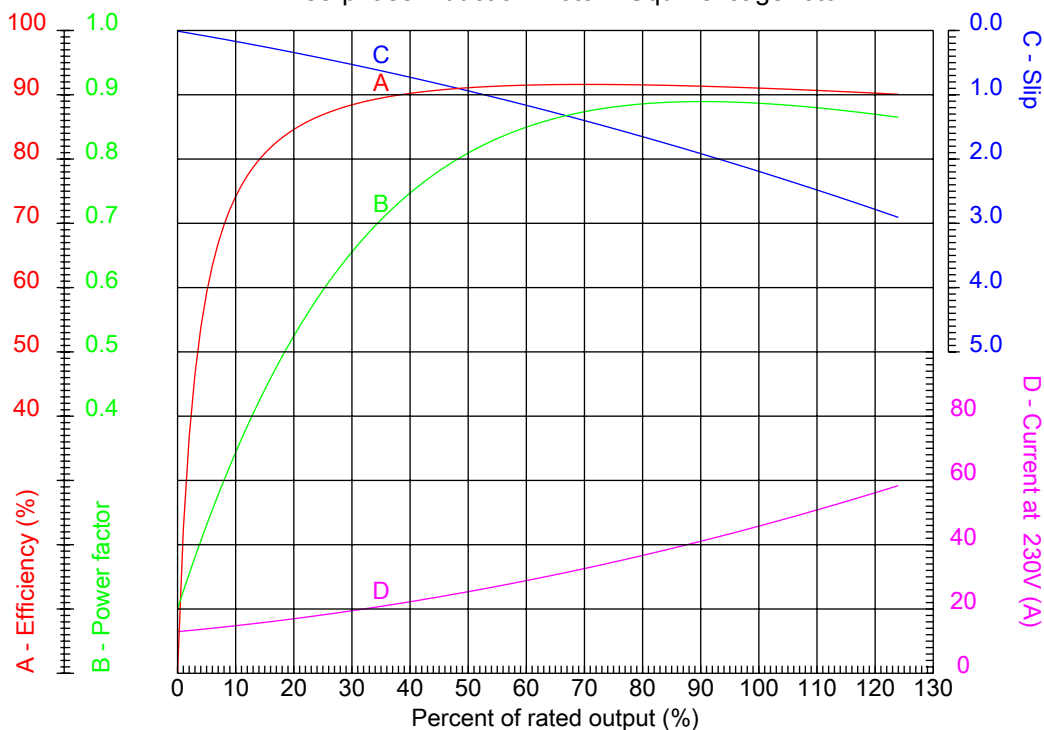


No.:

Date: 27-DEC-2012

PERFORMANCE CURVES RELATED TO RATED OUTPUT

Three-phase induction motor - Squirrel cage rotor



Customer :
Product line : Close Coupled Pump: Three-Phase - W22 "JP" Type - TEFC - NEMA Premium

| | | | |
|------------------|--------------------|--------------------------------------------------------|---------|
| Frame | : 256JP | Locked rotor current (I _l /I _n) | : 6.0 |
| Output | : 20 HP | Duty cycle | : S1 |
| Frequency | : 60 Hz | Service factor | : 1.25 |
| Full load speed | : 3520 | Design | : B |
| Voltage | : 208-230/460 V | Locked rotor torque | : 200 % |
| Rated current | : 51.3-46.4/23.2 A | Breakdown torque | : 240 % |
| Insulation class | : F | | |

Notes:

Performed by

Checked

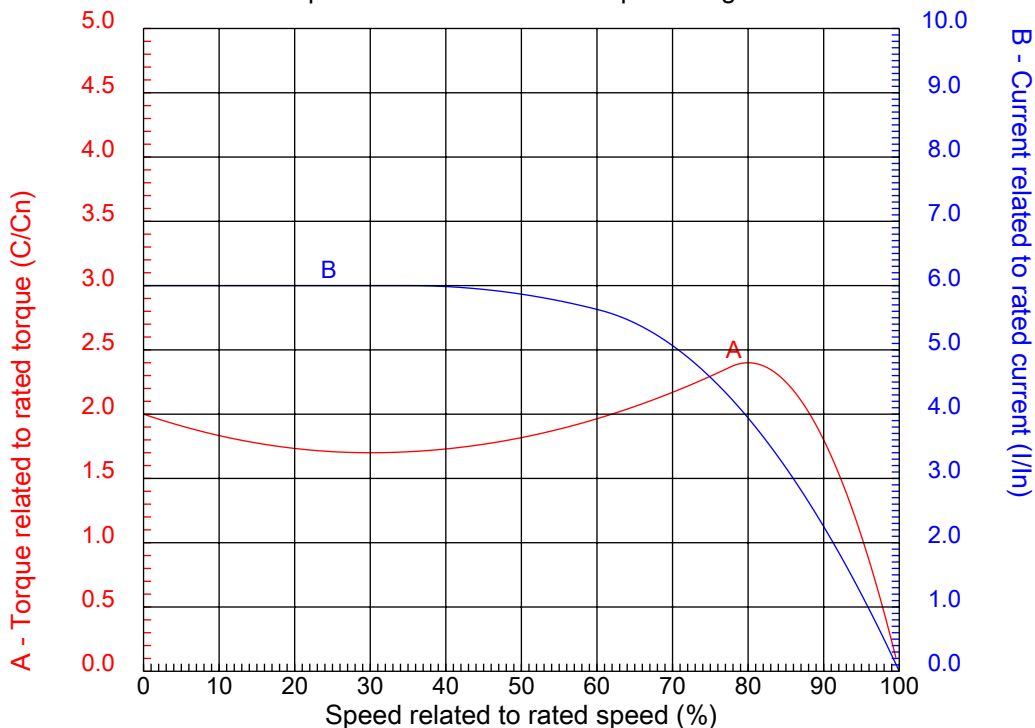


No.:

Date: 27-DEC-2012

CHARACTERISTIC CURVES RELATED TO SPEED

Three-phase induction motor - Squirrel cage rotor



Customer :
Product line : Close Coupled Pump: Three-Phase - W22 "JP" Type - TEFC - NEMA Premium

| | | | |
|------------------|--------------------|--------------------------------------------------------|---------|
| Frame | : 256JP | Locked rotor current (I _l /I _n) | : 6.0 |
| Output | : 20 HP | Duty cycle | : S1 |
| Frequency | : 60 Hz | Service factor | : 1.25 |
| Full load speed | : 3520 | Design | : B |
| Voltage | : 208-230/460 V | Locked rotor torque | : 200 % |
| Rated current | : 51.3-46.4/23.2 A | Breakdown torque | : 240 % |
| Insulation class | : F | | |

Notes:

Performed by

Checked

1 2 3 4 5 6 7 8

A

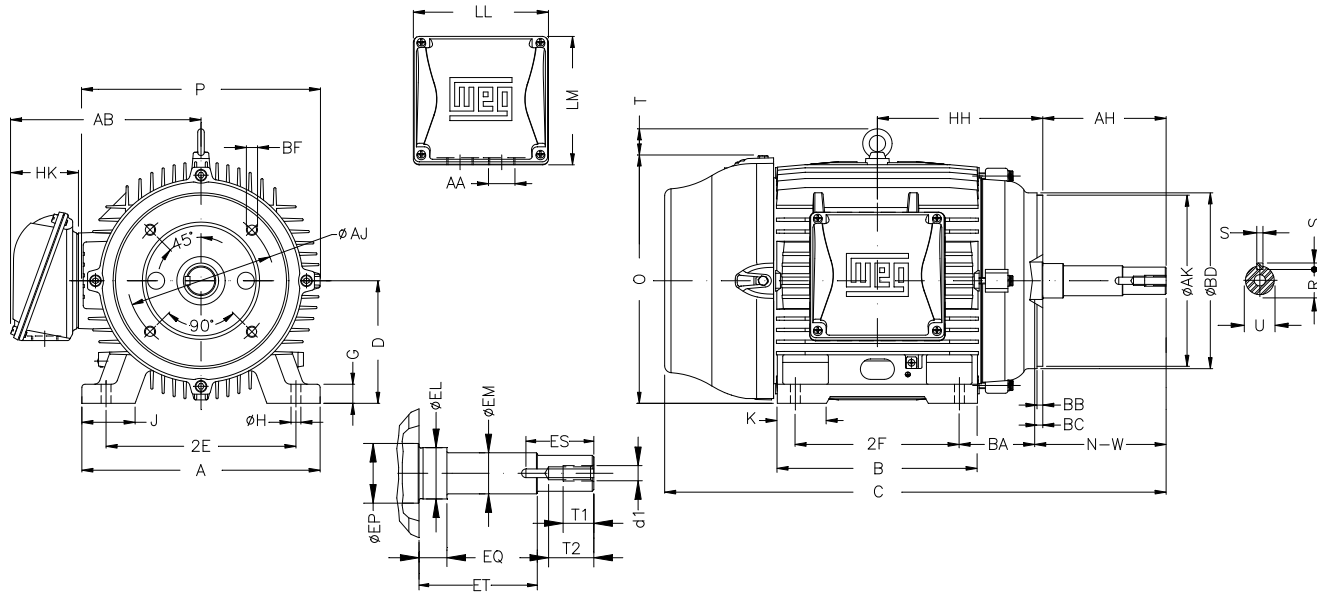
B

C

D

E

F



Notes:

| | | | | |
|------------------|-------------------|------------------|--------------|--------------|
| 2E 10.000 | J 2.539 | A 12.126 | P 12.953 | AB 10.394 |
| 2F 10.000 | K 2.559 | B 11.732 | BA 4.250 | D 6.250 |
| G 0.827 | O 12.598 | T 2.087 | HD 14.685 | H 0.531 |
| AA NPT 1 1/2" | ER 8.130 | EQ 2.382 | ET 5.886 | U 1.249 |
| EM 1.375 | EL 1.750 | EP 1.770 | ES 2.480 | t1 0.984 |
| t2 1.496 | C 28.736 | Flange FC-184 | AJ 7.252 | AK 8.500 |
| BD 8.858 | BF UNC 1/2"x13 | BB 0.248 | BC --- | AH 8.130 |

Performed by:

Checked:

Customer:

Close Coupled Pump: Three-Phase - W22 "JP" Type - TEFC - NEMA Premium

Three-phase induction motor
Frame 256JP - IP55

27-DEC-2012

