



No.:

Date: 27-DEC-2012

Customer :

TECHNICAL PROPOSAL

Three-phase induction motor - Squirrel cage rotor

Product line : Three-Phase: W22 IEEE-841™ Petrochem Motors - NEMA Premium® Efficiency

Catalog Number : 02036ST3QIE256TC-W22

List Price : \$3,077

Notes:

Performed by:

Checked:



No.:

Date: 27-DEC-2012

## DATA SHEET

### Three-phase induction motor - Squirrel cage rotor

Customer :  
Product line : Three-Phase: W22 IEEE-841™ Petrochem Motors - NEMA Premium® Efficiency

Frame : 256T  
Output : 20 HP  
Frequency : 60 Hz  
Poles : 2  
Full load speed : 3520  
Slip : 2.22 %  
Voltage : 460 V  
Rated current : 23.2 A  
Locked rotor current : 139 A  
Locked rotor current (I<sub>L</sub>/I<sub>n</sub>) : 6.0  
No-load current : 6.50 A  
Full load torque : 29.4 lb.ft  
Locked rotor torque : 200 %  
Breakdown torque : 240 %  
Design : B  
Insulation class : F  
Temperature rise : 80 K  
Locked rotor time : 21 s (hot)  
Service factor : 1.25  
Duty cycle : S1  
Ambient temperature : -20°C - +40°C  
Altitude : 1000  
Degree of Protection : IP55  
Approximate weight : 269 lb  
Moment of inertia : 1.5356 sq.ft.lb  
Noise level : 72 dB(A)

	D.E.	N.D.E.	Load	Power factor	Efficiency (%)
Bearings	6309 C3	6209 C3	100%	0.89	91.0
Regreasing interval	19000 h	20000 h	75%	0.87	91.7
Grease amount	13 g	9 g	50%	0.82	91.0

Notes:

Performed by

Checked

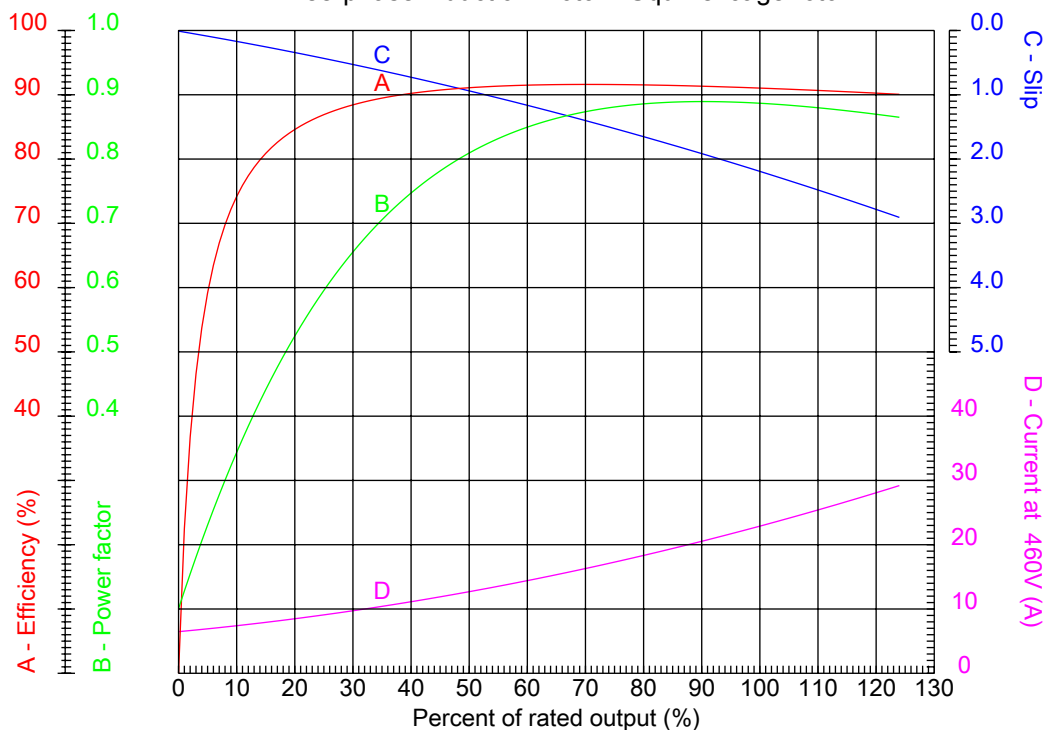


No.:

Date: 27-DEC-2012

### PERFORMANCE CURVES RELATED TO RATED OUTPUT

Three-phase induction motor - Squirrel cage rotor



Customer :  
Product line : Three-Phase: W22 IEEE-841™ Petrochem Motors - NEMA Premium® Efficiency

Frame : 256T	Locked rotor current (I <sub>l</sub> /I <sub>n</sub> ) : 6.0
Output : 20 HP	Duty cycle : S1
Frequency : 60 Hz	Service factor : 1.25
Full load speed : 3520	Design : B
Voltage : 460 V	Locked rotor torque : 200 %
Rated current : 23.2 A	Breakdown torque : 240 %
Insulation class : F	

Notes:

Performed by

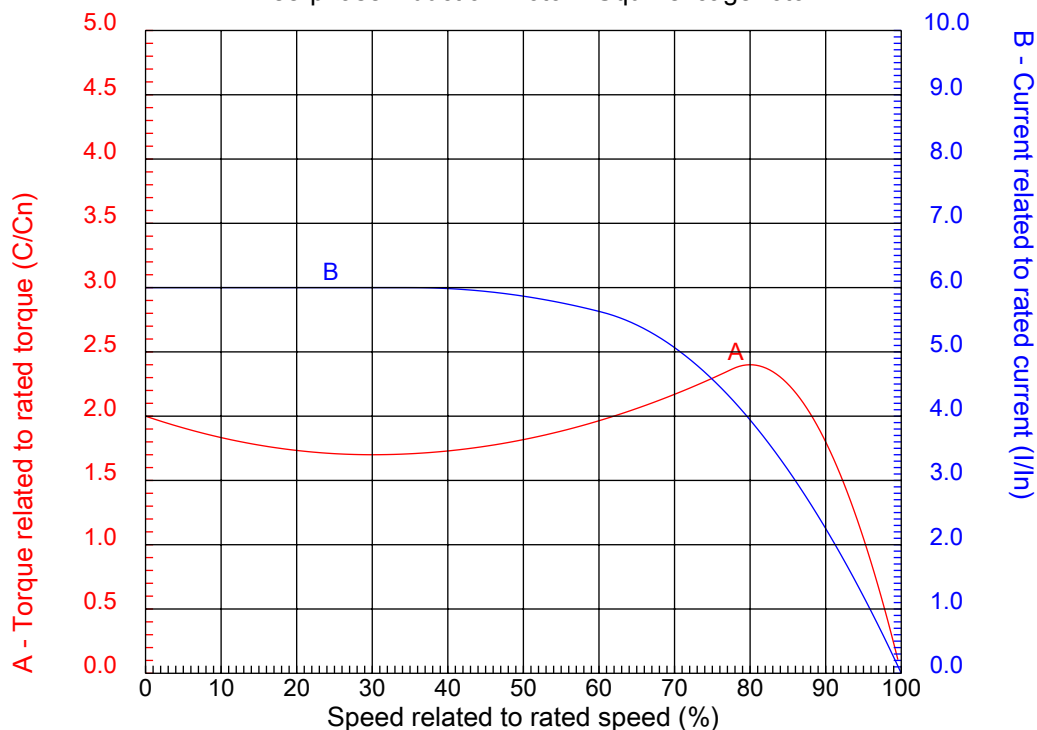
Checked



No.:

Date: 27-DEC-2012

### CHARACTERISTIC CURVES RELATED TO SPEED Three-phase induction motor - Squirrel cage rotor



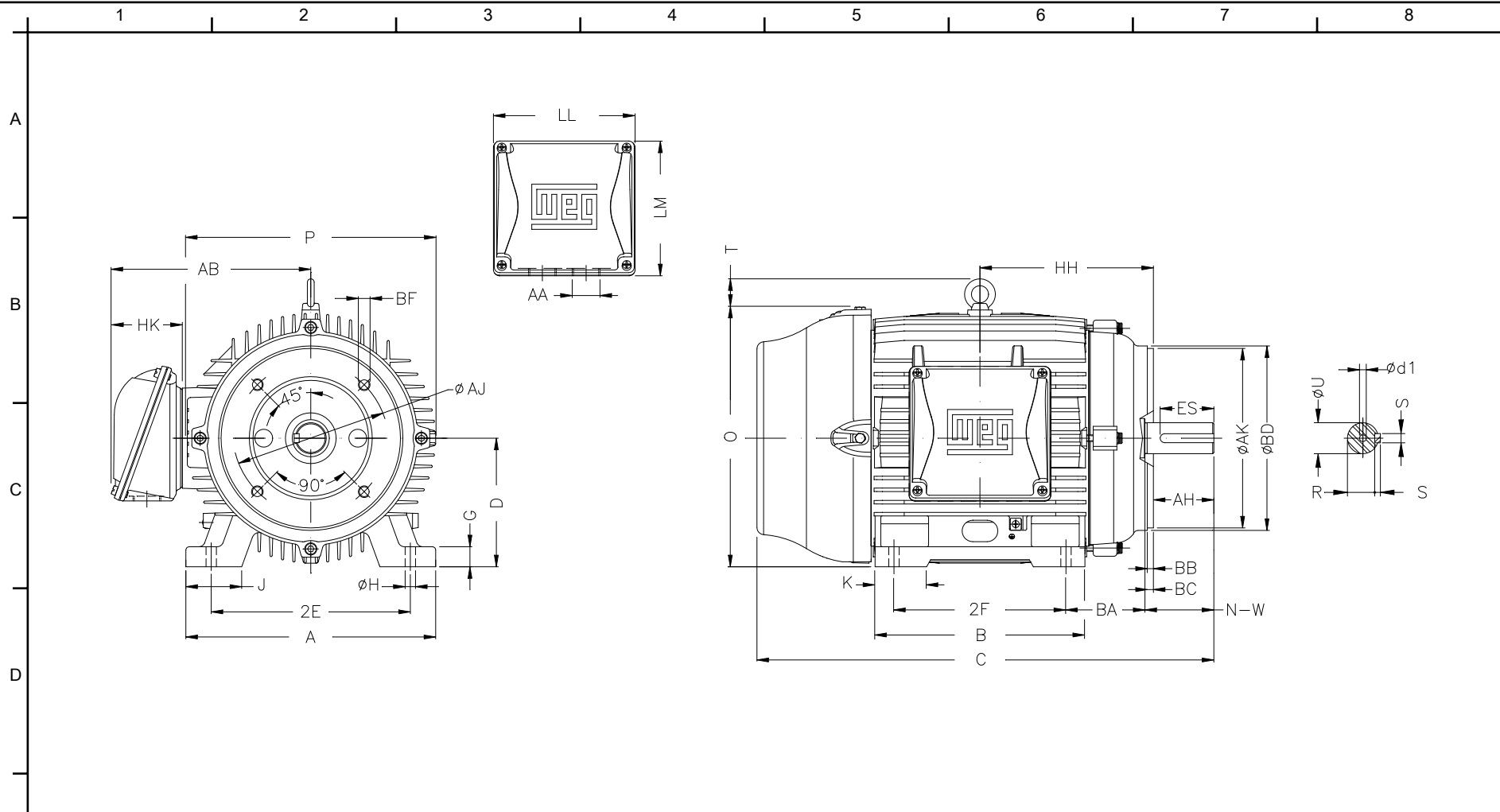
Customer :  
Product line : Three-Phase: W22 IEEE-841™ Petrochem Motors - NEMA Premium® Efficiency

Frame	: 256T	Locked rotor current (I <sub>l</sub> /I <sub>n</sub> )	: 6.0
Output	: 20 HP	Duty cycle	: S1
Frequency	: 60 Hz	Service factor	: 1.25
Full load speed	: 3520	Design	: B
Voltage	: 460 V	Locked rotor torque	: 200 %
Rated current	: 23.2 A	Breakdown torque	: 240 %
Insulation class	: F		

Notes:

Performed by

Checked



E	2E 10.000	J 2.539	A 12.126	P 12.953	AB 10.394
	2F 10.000	K 2.559	B 11.732	BA 4.250	U 1.625
	N-W 4.000	ES 3.150	S 0.375	R 1.406	depth 0.375
	D 6.250	G 0.827	HB 3.061	O 12.598	T 2.087
	HD 14.685	HF 6.565	HH 9.250	HK 3.937	H 0.531
F	C 24.945	LL 7.795	LM 7.402	AA NPT 1 1/2"	d1 A 4
	d2 A 4	Flange FC-184	AJ 7.250	AK 8.500	BD 8.875
	BF UNC 1/2"x13	BB 0.250	BC 0.250	AH 3.750	

Notes:

Performed by:

Checked:

Customer:

Three-Phase: W22 IEEE-841™ Petrochem Motors - NEMA Premium® Efficiency

Three-phase induction motor Frame 256T - IP55	27-DEC-2012	
--	-------------	--