



No.:

Date: 27-DEC-2012

Customer :

TECHNICAL PROPOSAL

Three-phase induction motor - Squirrel cage rotor

Product line : Three-Phase: W22 IEEE-841™ Petrochem Motors - NEMA Premium® Efficiency

Catalog Number : 02512ST3QIE324T-W22

List Price : \$5,211

Notes:

Performed by:

Checked:



No.:

Date: 27-DEC-2012

DATA SHEET

Three-phase induction motor - Squirrel cage rotor

Customer :
 Product line : Three-Phase: W22 IEEE-841™ Petrochem Motors - NEMA Premium® Efficiency

Frame : 324T
 Output : 25 HP
 Frequency : 60 Hz
 Poles : 6
 Full load speed : 1180
 Slip : 1.67 %
 Voltage : 460 V
 Rated current : 30.4 A
 Locked rotor current : 188 A
 Locked rotor current (I_L/I_n) : 6.2
 No-load current : 14.0 A
 Full load torque : 110 lb.ft
 Locked rotor torque : 210 %
 Breakdown torque : 260 %
 Design : B
 Insulation class : F
 Temperature rise : 80 K
 Locked rotor time : 26 s (hot)
 Service factor : 1.25
 Duty cycle : S1
 Ambient temperature : -20°C - +40°C
 Altitude : 1000
 Degree of Protection : IP55
 Approximate weight : 560 lb
 Moment of inertia : 11.493 sq.ft.lb
 Noise level : 62 dB(A)

	D.E.	N.D.E.	Load	Power factor	Efficiency (%)
Bearings	6312 C3	6212 C3	100%	0.82	93.0
Regreasing interval	20000 h	20000 h	75%	0.77	93.0
Grease amount	21 g	13 g	50%	0.65	91.7

Notes:

Performed by

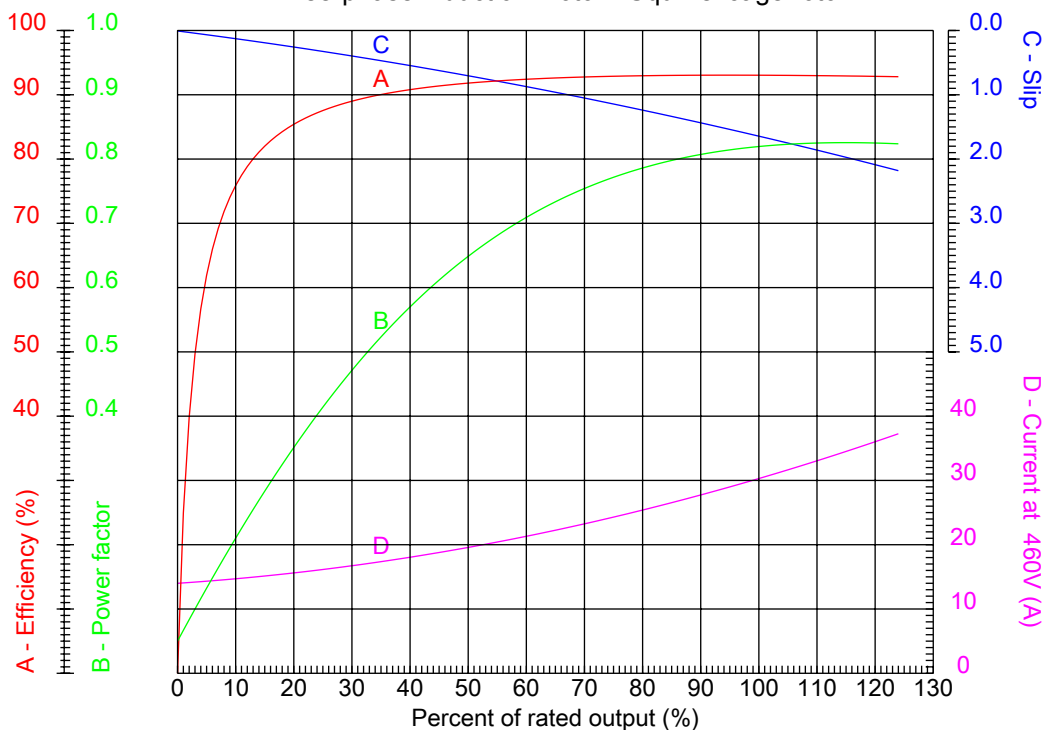
Checked



No.:

Date: 27-DEC-2012

PERFORMANCE CURVES RELATED TO RATED OUTPUT
Three-phase induction motor - Squirrel cage rotor



Customer :
Product line : Three-Phase: W22 IEEE-841™ Petrochem Motors - NEMA Premium® Efficiency

Frame	: 324T	Locked rotor current (I _L /I _n)	: 6.2
Output	: 25 HP	Duty cycle	: S1
Frequency	: 60 Hz	Service factor	: 1.25
Full load speed	: 1180	Design	: B
Voltage	: 460 V	Locked rotor torque	: 210 %
Rated current	: 30.4 A	Breakdown torque	: 260 %
Insulation class	: F		

Notes:

Performed by

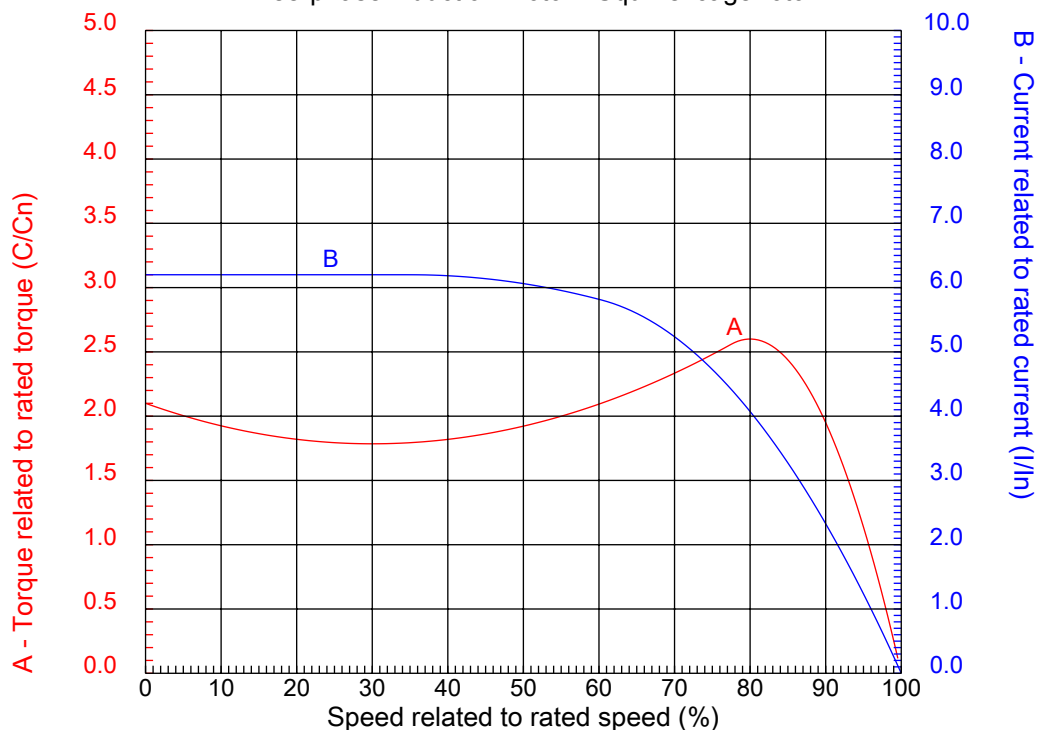
Checked



No.:

Date: 27-DEC-2012

CHARACTERISTIC CURVES RELATED TO SPEED Three-phase induction motor - Squirrel cage rotor



Customer :
Product line : Three-Phase: W22 IEEE-841™ Petrochem Motors - NEMA Premium® Efficiency

Frame	: 324T	Locked rotor current (I _l /I _n)	: 6.2
Output	: 25 HP	Duty cycle	: S1
Frequency	: 60 Hz	Service factor	: 1.25
Full load speed	: 1180	Design	: B
Voltage	: 460 V	Locked rotor torque	: 210 %
Rated current	: 30.4 A	Breakdown torque	: 260 %
Insulation class	: F		

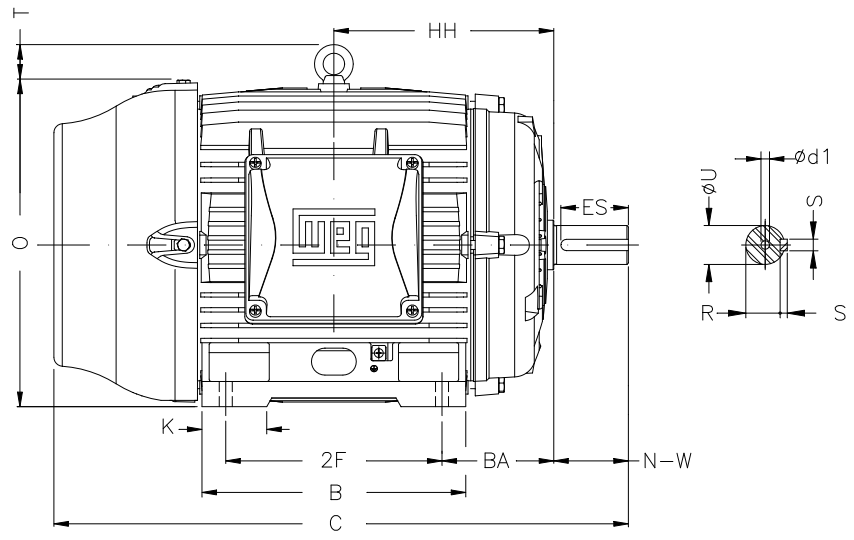
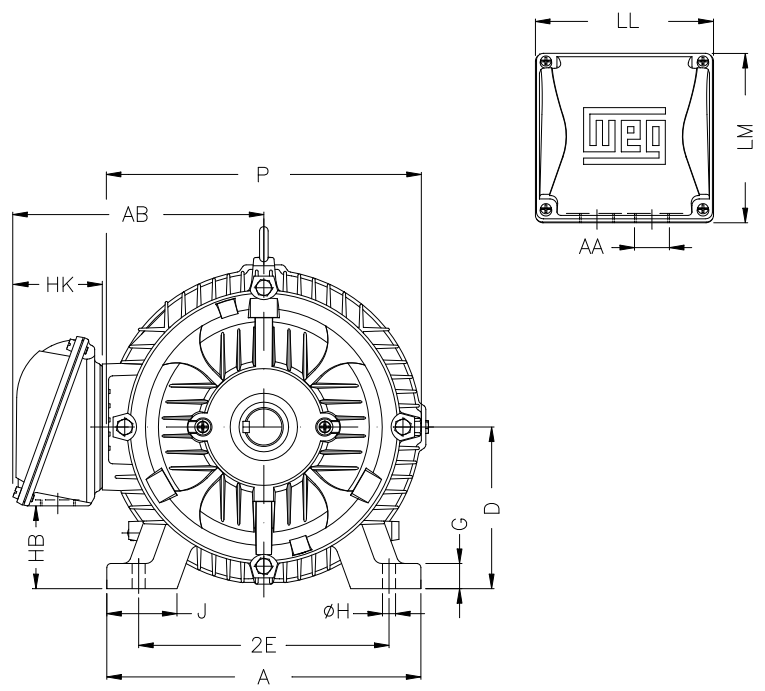
Notes:

Performed by

Checked

1 2 3 4 5 6 7 8

A
B
C
D
E
F



2E	J	A	P	AB
12.500	3.189	15.157	15.827	12.480
2F	K	B	BA	U
10.500	3.189	13.071	5.250	2.125
N-W	ES	S	R	depth
5.250	3.937	0.500	1.844	0.500
D	G	HB	O	T
8.000	1.300	4.811	15.953	2.441
HD	HF	HH	HK	H
18.394	8.708	10.500	4.645	0.657
C	LL	LM	AA	d1
29.620	8.976	8.543	NPT 2"	A 4
d2	Flange	AJ	AK	BD
A 4	FD-406	16.000	14.000	18.00
BF	BB			
0.828	0.203			

Notes:

Performed by:

Checked:

Customer:

Three-Phase: W22 IEEE-841™ Petrochem Motors - NEMA Premium® Efficiency

Three-phase induction motor
Frame 324T - IP55

27-DEC-2012

