



No.:

Date: 27-DEC-2012

Customer :

TECHNICAL PROPOSAL

Three-phase induction motor - Squirrel cage rotor

Product line : Close Coupled Pump : Three-Phase - "JM" Type - ODP - NEMA Premium

Catalog Number : 02536OT3E256JM

List Price : \$2,598

Notes:

Performed by:

Checked:



No.:

Date: 27-DEC-2012

## DATA SHEET

### Three-phase induction motor - Squirrel cage rotor

Customer :  
Product line : Close Coupled Pump : Three-Phase - "JM" Type - ODP - NEMA Premium

Frame : 256JM  
Output : 25 HP  
Frequency : 60 Hz  
Poles : 2  
Full load speed : 3530  
Slip : 1.94 %  
Voltage : 208-230/460 V  
Rated current : 65.9-59.6/29.8 A  
Locked rotor current : 387/194 A  
Locked rotor current (I<sub>L</sub>/I<sub>n</sub>) : 6.5  
No-load current : 22.0/11.0 A  
Full load torque : 36.7 lb.ft  
Locked rotor torque : 200 %  
Breakdown torque : 260 %  
Design : B  
Insulation class : F  
Temperature rise : 80 K  
Locked rotor time : 9 s (hot)  
Service factor : 1.15  
Duty cycle : S1  
Ambient temperature : -20°C - +40°C  
Altitude : 1000  
Degree of Protection : IP23  
Approximate weight : 243 lb  
Moment of inertia : 1.0819 sq.ft.lb  
Noise level : 67 dB(A)

	D.E.	N.D.E.	Load	Power factor	Efficiency (%)
Bearings	6309 Z-C3	6209 Z-C3	100%	0.85	91.7
Regreasing interval	20000 h	20000 h	75%	0.82	91.7
Grease amount	13 g	9 g	50%	0.73	91.0

Notes:

Performed by

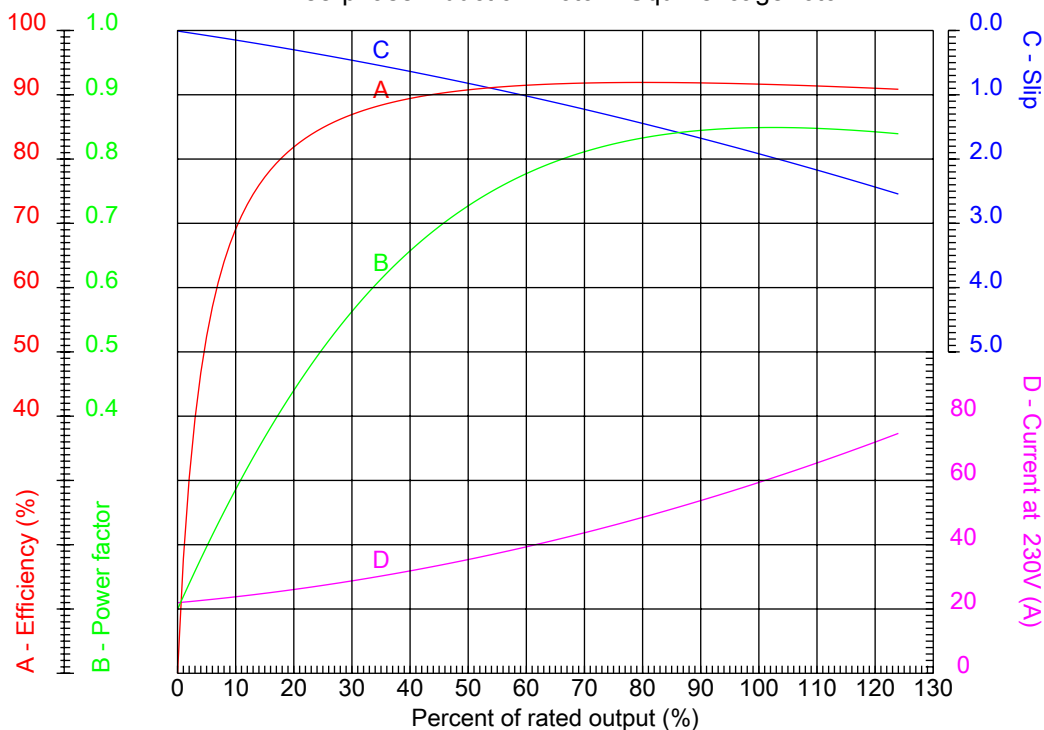
Checked



No.:

Date: 27-DEC-2012

PERFORMANCE CURVES RELATED TO RATED OUTPUT  
Three-phase induction motor - Squirrel cage rotor



Customer :  
Product line : Close Coupled Pump : Three-Phase - "JM" Type - ODP - NEMA Premium

Frame	: 256JM	Locked rotor current (I <sub>l</sub> /I <sub>n</sub> )	: 6.5
Output	: 25 HP	Duty cycle	: S1
Frequency	: 60 Hz	Service factor	: 1.15
Full load speed	: 3530	Design	: B
Voltage	: 208-230/460 V	Locked rotor torque	: 200 %
Rated current	: 65.9-59.6/29.8 A	Breakdown torque	: 260 %
Insulation class	: F		

Notes:

Performed by

Checked

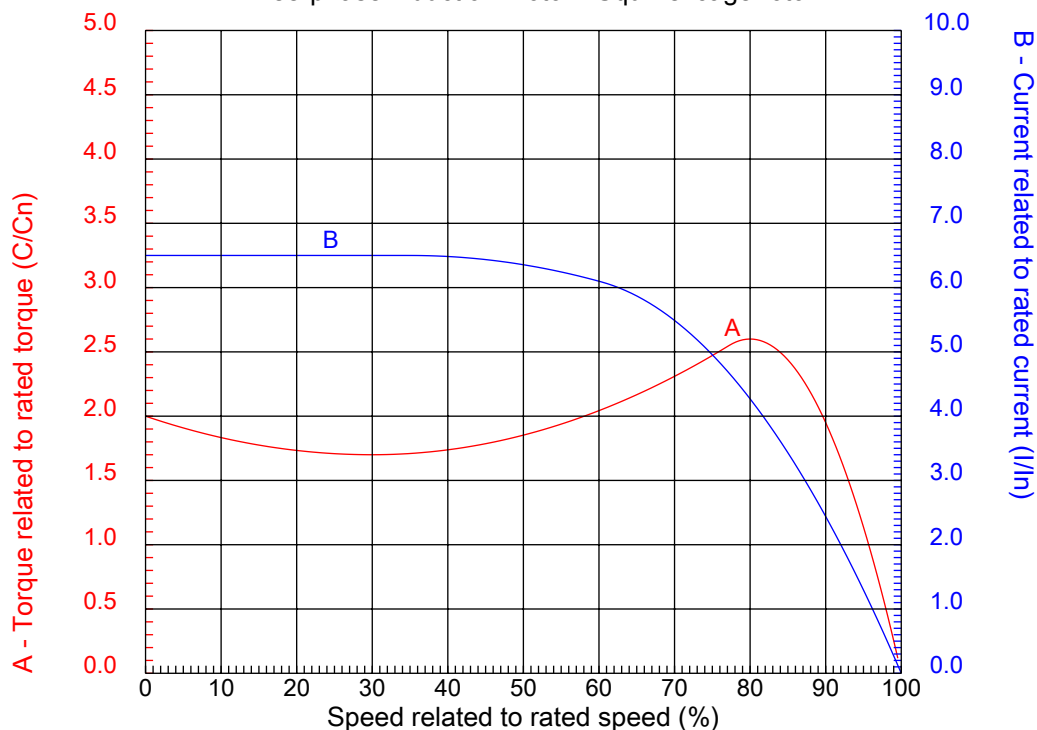


No.:

Date: 27-DEC-2012

### CHARACTERISTIC CURVES RELATED TO SPEED

Three-phase induction motor - Squirrel cage rotor



Customer :  
Product line : Close Coupled Pump : Three-Phase - "JM" Type - ODP - NEMA Premium

Frame	: 256JM	Locked rotor current (I <sub>l</sub> /I <sub>n</sub> )	: 6.5
Output	: 25 HP	Duty cycle	: S1
Frequency	: 60 Hz	Service factor	: 1.15
Full load speed	: 3530	Design	: B
Voltage	: 208-230/460 V	Locked rotor torque	: 200 %
Rated current	: 65.9-59.6/29.8 A	Breakdown torque	: 260 %
Insulation class	: F		

Notes:

Performed by

Checked

1 2 3 4 5 6 7 8

A

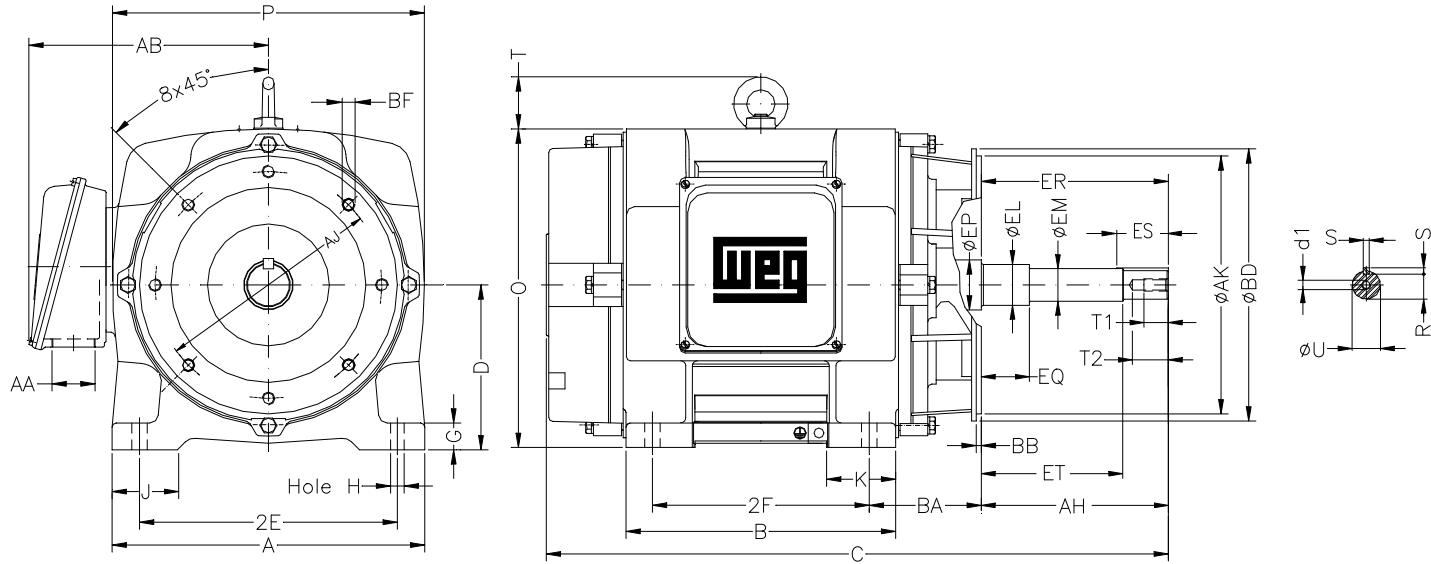
B


C

D

E

F



Notes:				
Performed by:				
Checked:				
Customer:				
Close Coupled Pump : Three-Phase - "JM" Type - ODP - NEMA Premium				
Three-phase induction motor			27-DEC-2012	
Frame 256JM - IP23				

2E	A	2F	B	J
10.000	12.130	10.000	11.732	2.520
BA	D	K	G	O
4.500	6.220	2.560	0.787	12.204
P	T	HD	H	AA
11.812	2.165	14.369	0.531	NPT 1 1/2"
ER	EQ	ET	U	EM
5.250	0.630	3.006	1.249	1.375
EL	S	EP	R	ES
1.750	0.250	1.750	1.110	2.559
d1	t1	t2	C	Flange
EUNC 1/2"-13	0.984	1.496	23.902	FC-184
AJ	AK	BD	BF	BB
7.250	8.500	8.858	UNC 1/2"x13	0.250
BC	AH			
	5.250			