



No.:

Date: 27-DEC-2012

Customer :

TECHNICAL PROPOSAL

Three-phase induction motor - Squirrel cage rotor

Product line : Three-Phase: W22 IEEE-841™ Petrochem Motors - NEMA Premium® Efficiency

Catalog Number : 02536ST3QIE284TSC-W2

List Price : \$3,568

Notes:

Performed by:

Checked:



No.:

Date: 27-DEC-2012

DATA SHEET

Three-phase induction motor - Squirrel cage rotor

Customer :
Product line : Three-Phase: W22 IEEE-841™ Petrochem Motors - NEMA Premium® Efficiency

Frame : 284TS
Output : 25 HP
Frequency : 60 Hz
Poles : 2
Full load speed : 3535
Slip : 1.81 %
Voltage : 460 V
Rated current : 28.5 A
Locked rotor current : 180 A
Locked rotor current (I_L/I_n) : 6.3
No-load current : 7.50 A
Full load torque : 36.6 lb.ft
Locked rotor torque : 200 %
Breakdown torque : 250 %
Design : B
Insulation class : F
Temperature rise : 80 K
Locked rotor time : 17 s (hot)
Service factor : 1.25
Duty cycle : S1
Ambient temperature : -20°C - +40°C
Altitude : 1000
Degree of Protection : IP55
Approximate weight : 362 lb
Moment of inertia : 2.6936 sq.ft.lb
Noise level : 72 dB(A)

	D.E.	N.D.E.	Load	Power factor	Efficiency (%)
Bearings	6311 C3	6211 C3	100%	0.89	91.7
Regreasing interval	14000 h	17000 h	75%	0.87	91.7
Grease amount	18 g	11 g	50%	0.82	91.0

Notes:

Performed by

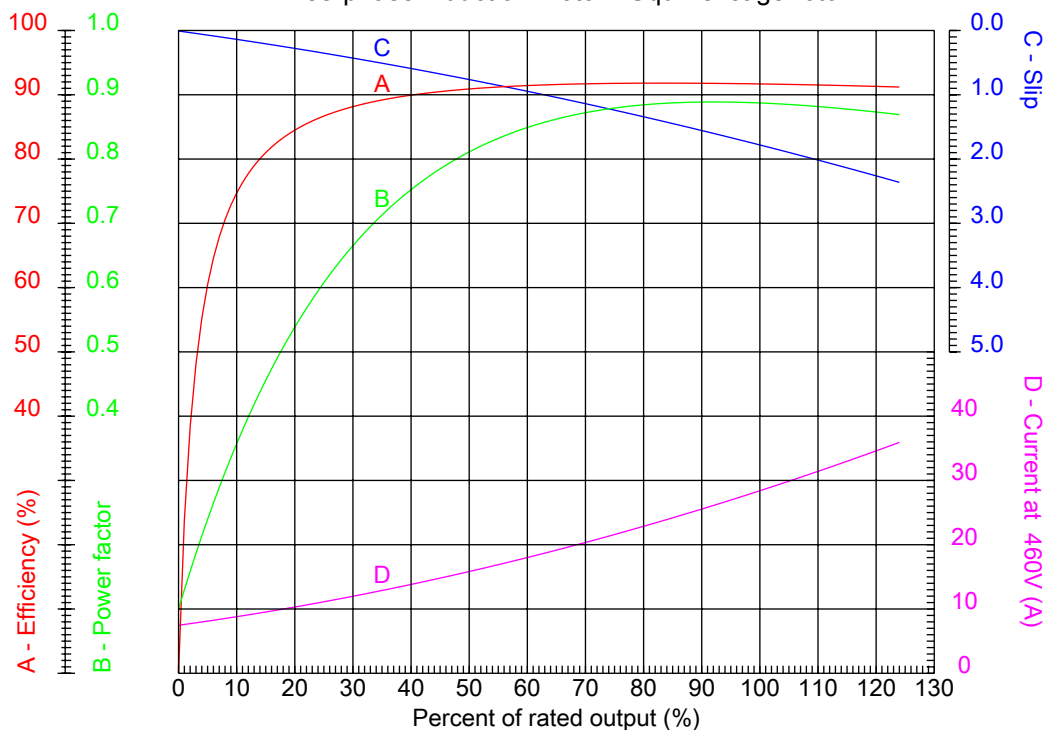
Checked



No.:

Date: 27-DEC-2012

PERFORMANCE CURVES RELATED TO RATED OUTPUT Three-phase induction motor - Squirrel cage rotor



Customer :
Product line : Three-Phase: W22 IEEE-841™ Petrochem Motors - NEMA Premium® Efficiency

Frame	: 284TS	Locked rotor current (I _l /I _n)	: 6.3
Output	: 25 HP	Duty cycle	: S1
Frequency	: 60 Hz	Service factor	: 1.25
Full load speed	: 3535	Design	: B
Voltage	: 460 V	Locked rotor torque	: 200 %
Rated current	: 28.5 A	Breakdown torque	: 250 %
Insulation class	: F		

Notes:

Performed by

Checked

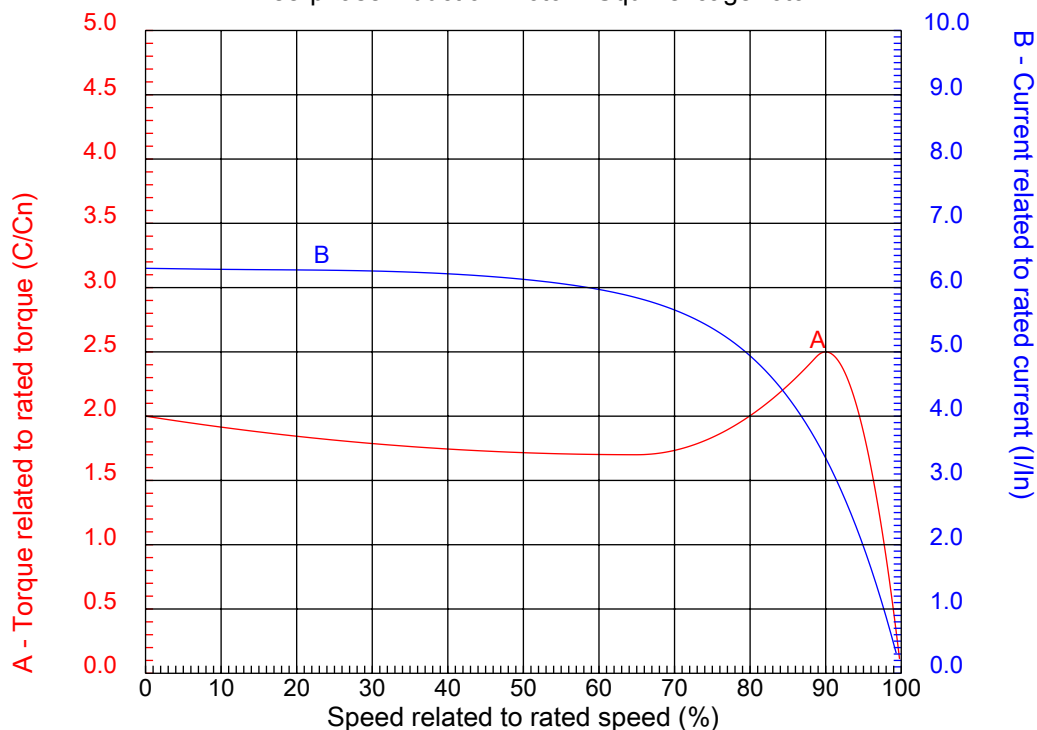


No.:

Date: 27-DEC-2012

CHARACTERISTIC CURVES RELATED TO SPEED

Three-phase induction motor - Squirrel cage rotor



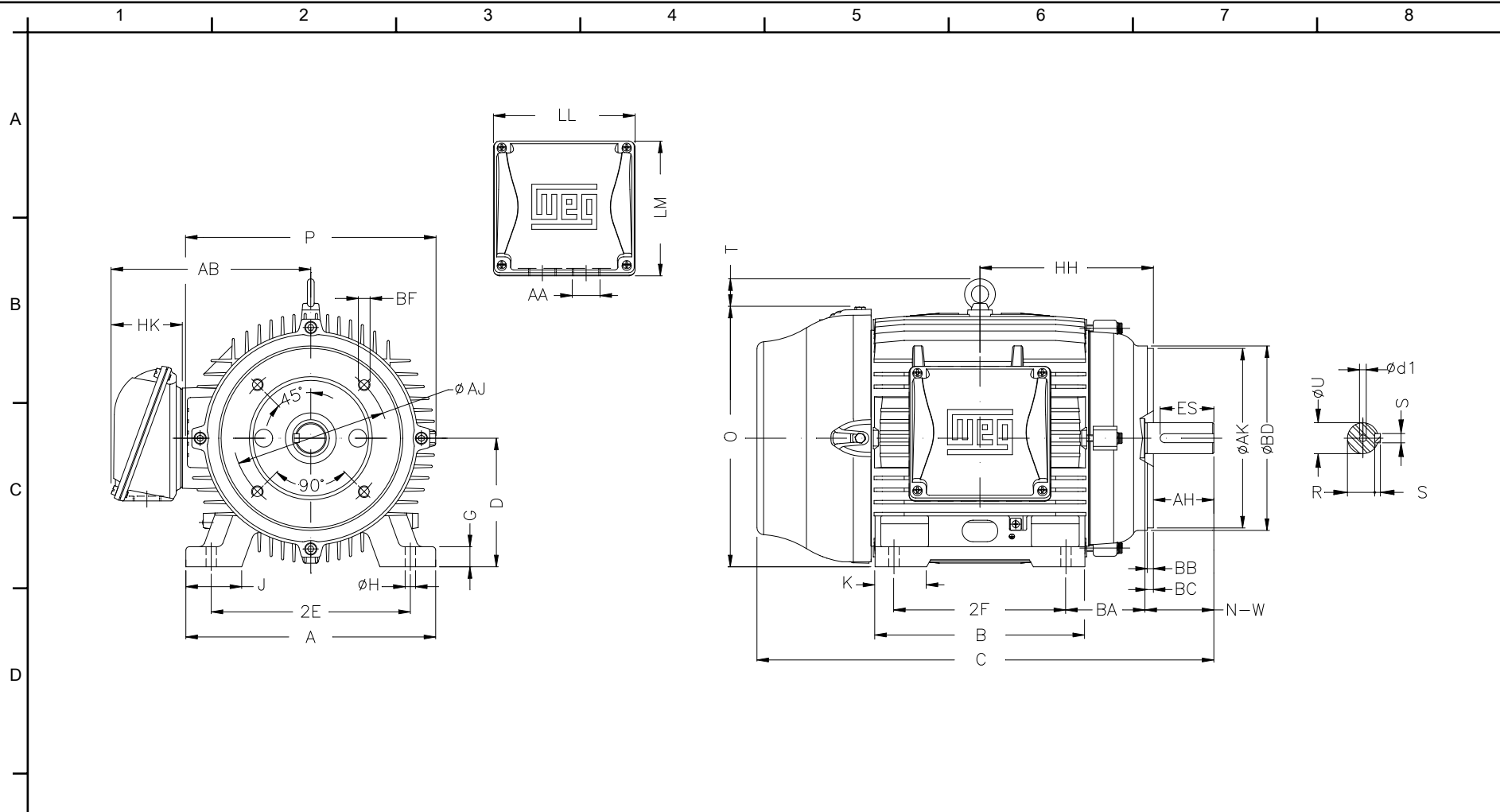
Customer :
Product line : Three-Phase: W22 IEEE-841™ Petrochem Motors - NEMA Premium® Efficiency

Frame	: 284TS	Locked rotor current (I _l /I _n)	: 6.3
Output	: 25 HP	Duty cycle	: S1
Frequency	: 60 Hz	Service factor	: 1.25
Full load speed	: 3535	Design	: B
Voltage	: 460 V	Locked rotor torque	: 200 %
Rated current	: 28.5 A	Breakdown torque	: 250 %
Insulation class	: F		

Notes:

Performed by

Checked



E	2E 11.000	J 3.110	A 13.780	P 14.173	AB 10.984
	2F 9.500	K 2.874	B 11.575	BA 4.750	U 1.625
	N-W 3.250	ES 2.480	S 0.375	R 1.406	depth 0.375
	D 7.000	G 1.023	HB 3.535	O 14.067	T 2.087
	HD 16.154	HF 7.000	HH 9.500	HK 3.937	H 0.531
F	C 25.061	LL 7.795	LM 7.402	AA NPT 1 1/2"	d1 A 4
	d2 A 4	Flange FC-228	AJ 9.000	AK 10.500	BD 11.03
	BF UNC 1/2"x13	BB 0.250	BC 0.250	AH 3.000	

Notes:

Performed by:

Checked:

Customer:

Three-Phase: W22 IEEE-841™ Petrochem Motors - NEMA Premium® Efficiency

Three-phase induction motor Frame 284TS - IP55	27-DEC-2012	
---	-------------	--