



No.:

Date: 27-DEC-2012

Customer :

TECHNICAL PROPOSAL

Three-phase induction motor - Squirrel cage rotor

Product line : Three-Phase : Explosion Proof - NEMA Premium

Catalog Number : 02536XT3H284TS

List Price : \$4,188

Notes:

Performed by:

Checked:



No.:

Date: 27-DEC-2012

## DATA SHEET

### Three-phase induction motor - Squirrel cage rotor

Customer :  
Product line : Three-Phase : Explosion Proof - NEMA Premium

Frame : 284TS  
Output : 25 HP  
Frequency : 60 Hz  
Poles : 2  
Full load speed : 3555  
Slip : 1.25 %  
Voltage : 575 V  
Rated current : 22.9 A  
Locked rotor current : 206 A  
Locked rotor current (I<sub>L</sub>/I<sub>n</sub>) : 9.0  
No-load current : 7.00 A  
Full load torque : 36.4 lb.ft  
Locked rotor torque : 220 %  
Breakdown torque : 280 %  
Design : B  
Insulation class : F  
Temperature rise : 80 K  
Locked rotor time : 58 s (hot)  
Service factor : 1.15  
Duty cycle : S1  
Ambient temperature : -20°C - +40°C  
Altitude : 1000  
Degree of Protection : IP54  
Approximate weight : 452 lb  
Moment of inertia : 2.5780 sq.ft.lb  
Noise level : 75 dB(A)

	D.E.	N.D.E.	Load	Power factor	Efficiency (%)
Bearings	6311 C3	6211 Z-C3	100%	0.88	92.4
Regreasing interval	11517 h	14226 h	75%	0.85	92.4
Grease amount	18 g	11 g	50%	0.78	91.7

Notes:

Performed by

Checked

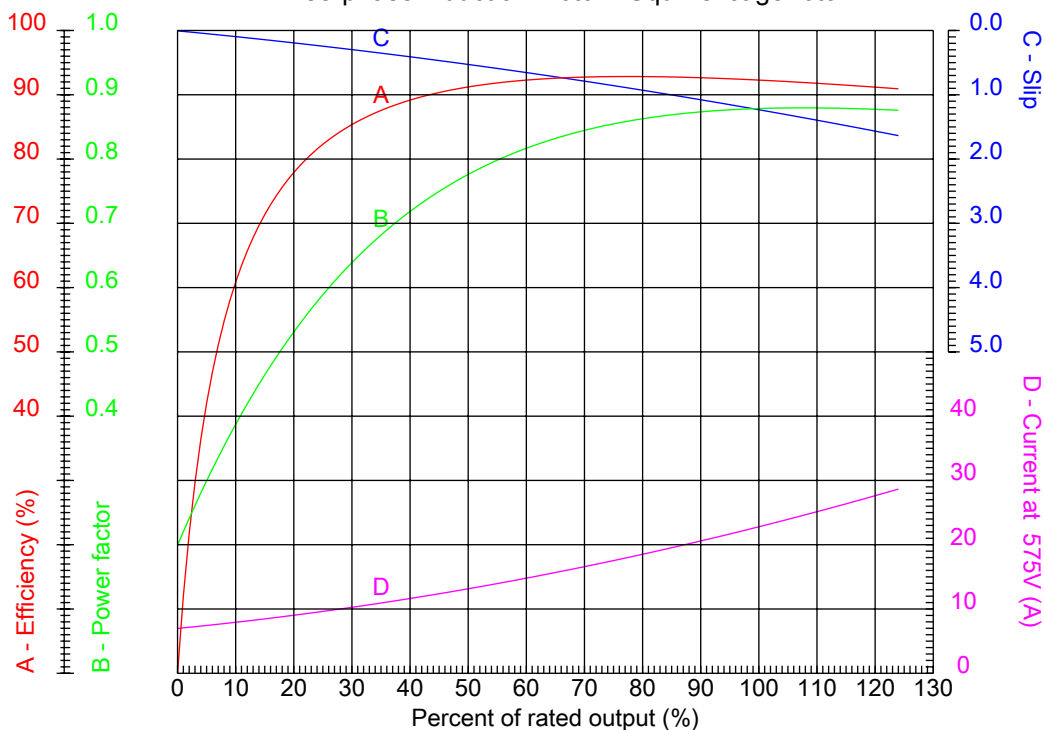


No.:

Date: 27-DEC-2012

### PERFORMANCE CURVES RELATED TO RATED OUTPUT

Three-phase induction motor - Squirrel cage rotor



Customer :  
Product line : Three-Phase : Explosion Proof - NEMA Premium

Frame : 284TS	Locked rotor current (I <sub>L</sub> /I <sub>n</sub> ) : 9.0
Output : 25 HP	Duty cycle : S1
Frequency : 60 Hz	Service factor : 1.15
Full load speed : 3555	Design : B
Voltage : 575 V	Locked rotor torque : 220 %
Rated current : 22.9 A	Breakdown torque : 280 %
Insulation class : F	

Notes:

Performed by

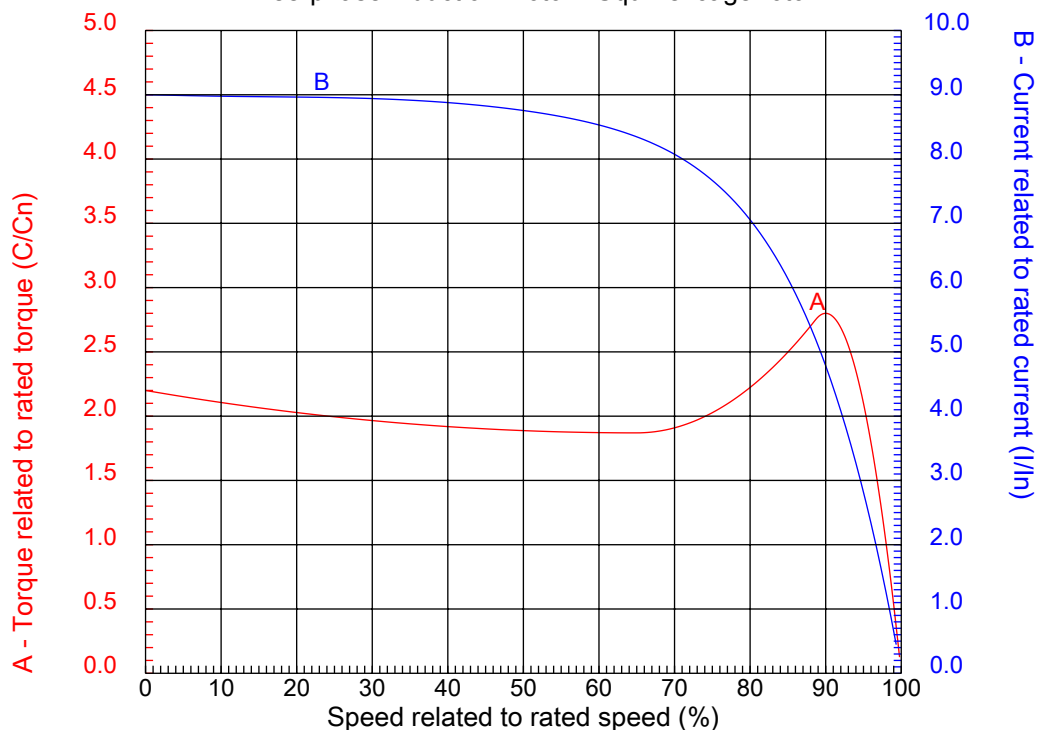
Checked



No.:

Date: 27-DEC-2012

### CHARACTERISTIC CURVES RELATED TO SPEED Three-phase induction motor - Squirrel cage rotor



Customer :  
Product line : Three-Phase : Explosion Proof - NEMA Premium

Frame	: 284TS	Locked rotor current (I <sub>l</sub> /I <sub>n</sub> )	: 9.0
Output	: 25 HP	Duty cycle	: S1
Frequency	: 60 Hz	Service factor	: 1.15
Full load speed	: 3555	Design	: B
Voltage	: 575 V	Locked rotor torque	: 220 %
Rated current	: 22.9 A	Breakdown torque	: 280 %
Insulation class	: F		

Notes:

Performed by

Checked

1 2 3 4 5 6 7 8

A

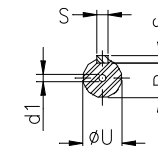
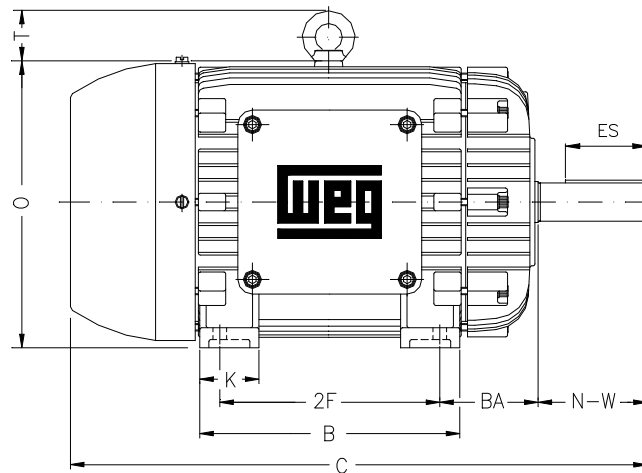
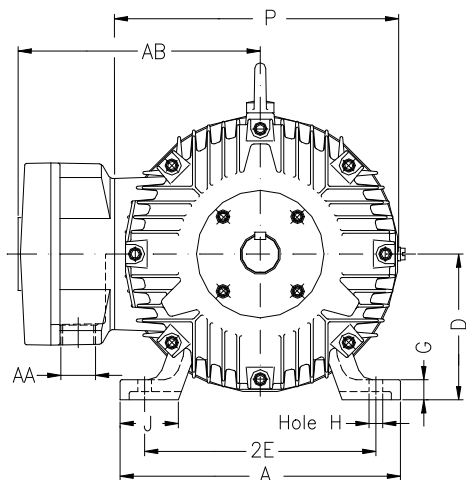
B

C

D

E

F



Notes:

Performed by:

Checked:

Customer:

Three-Phase : Explosion Proof - NEMA Premium

Three-phase induction motor  
Frame 284TS - IP54

27-DEC-2012



2E 11.000	A 13.780	2F 9.500	B 11.575	BA 4.750
J 3.150	K 2.953	P 14.094	ES 2.480	depth 0.375
S 0.375	N-W 3.250	U 1.625	R 1.406	AB 11.850
D 7.000	G 1.024	O 14.362	HD 16.803	H 0.531
C 25.033	AA NPT 1 1/2"	d1 A 4	d2 A 4	T 2.441
Flange FD-317	AJ 12.500	AK 11.000	BD 14.000	BF 0.828
BB 0.203				