



No.:

Date: 27-DEC-2012

Customer :

TECHNICAL PROPOSAL

Three-phase induction motor - Squirrel cage rotor

Product line : Close Coupled Pump: Three-Phase - W22 "JP" Type - TEFC - NEMA Premium

Catalog Number : 03012ET3E326JP-W22

List Price : \$6,690

Notes:

Performed by:

Checked:



No.:

Date: 27-DEC-2012

## DATA SHEET

### Three-phase induction motor - Squirrel cage rotor

Customer :  
Product line : Close Coupled Pump: Three-Phase - W22 "JP" Type - TEFC - NEMA Premium

Frame : 326JP  
Output : 30 HP  
Frequency : 60 Hz  
Poles : 6  
Full load speed : 1180  
Slip : 1.67 %  
Voltage : 208-230/460 V  
Rated current : 79.2-71.6/35.8 A  
Locked rotor current : 444/222 A  
Locked rotor current (I<sub>L</sub>/I<sub>n</sub>) : 6.2  
No-load current : 32.0/16.0 A  
Full load torque : 132 lb.ft  
Locked rotor torque : 230 %  
Breakdown torque : 260 %  
Design : B  
Insulation class : F  
Temperature rise : 80 K  
Locked rotor time : 21 s (hot)  
Service factor : 1.25  
Duty cycle : S1  
Ambient temperature : -20°C - +40°C  
Altitude : 1000  
Degree of Protection : IP55  
Approximate weight : 553 lb  
Moment of inertia : 13.196 sq.ft.lb  
Noise level : 62 dB(A)

	D.E.	N.D.E.	Load	Power factor	Efficiency (%)
Bearings	6312 C3	6212 C3	100%	0.83	93.0
Regreasing interval	20000 h	20000 h	75%	0.77	93.0
Grease amount	21 g	13 g	50%	0.65	91.7

Notes:

Performed by

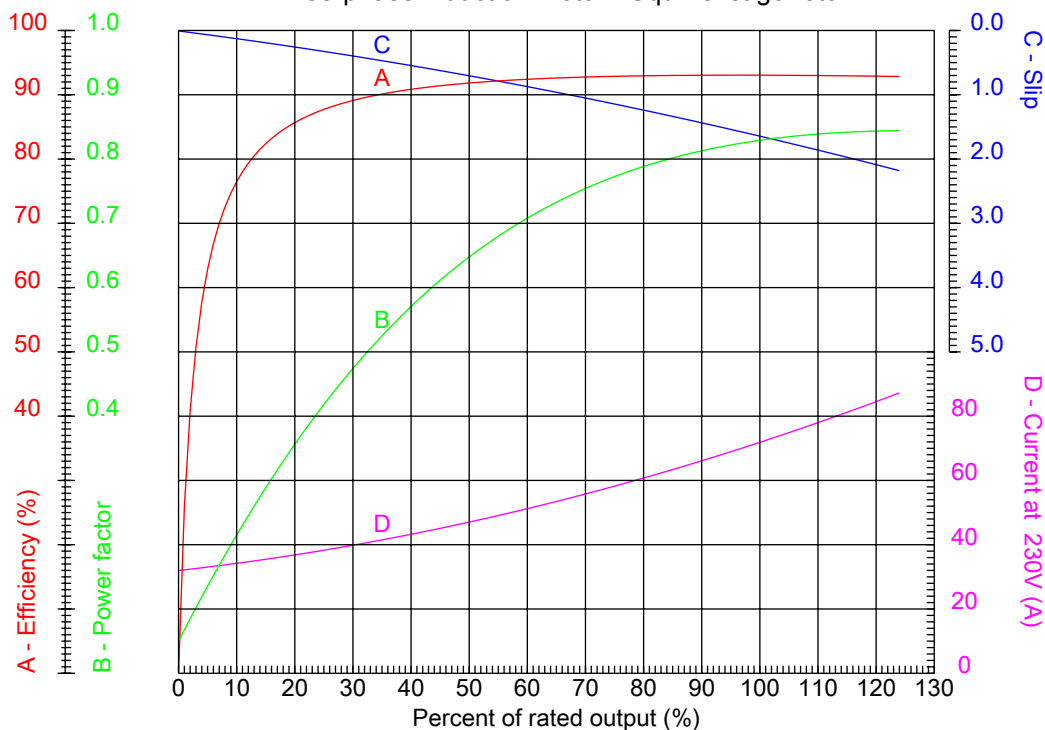
Checked



No.:

Date: 27-DEC-2012

### PERFORMANCE CURVES RELATED TO RATED OUTPUT Three-phase induction motor - Squirrel cage rotor



Customer :  
Product line : Close Coupled Pump: Three-Phase - W22 "JP" Type - TEFC - NEMA Premium

Frame	: 326JP	Locked rotor current (I <sub>l</sub> /I <sub>n</sub> )	: 6.2
Output	: 30 HP	Duty cycle	: S1
Frequency	: 60 Hz	Service factor	: 1.25
Full load speed	: 1180	Design	: B
Voltage	: 208-230/460 V	Locked rotor torque	: 230 %
Rated current	: 79.2-71.6/35.8 A	Breakdown torque	: 260 %
Insulation class	: F		

Notes:

Performed by

Checked

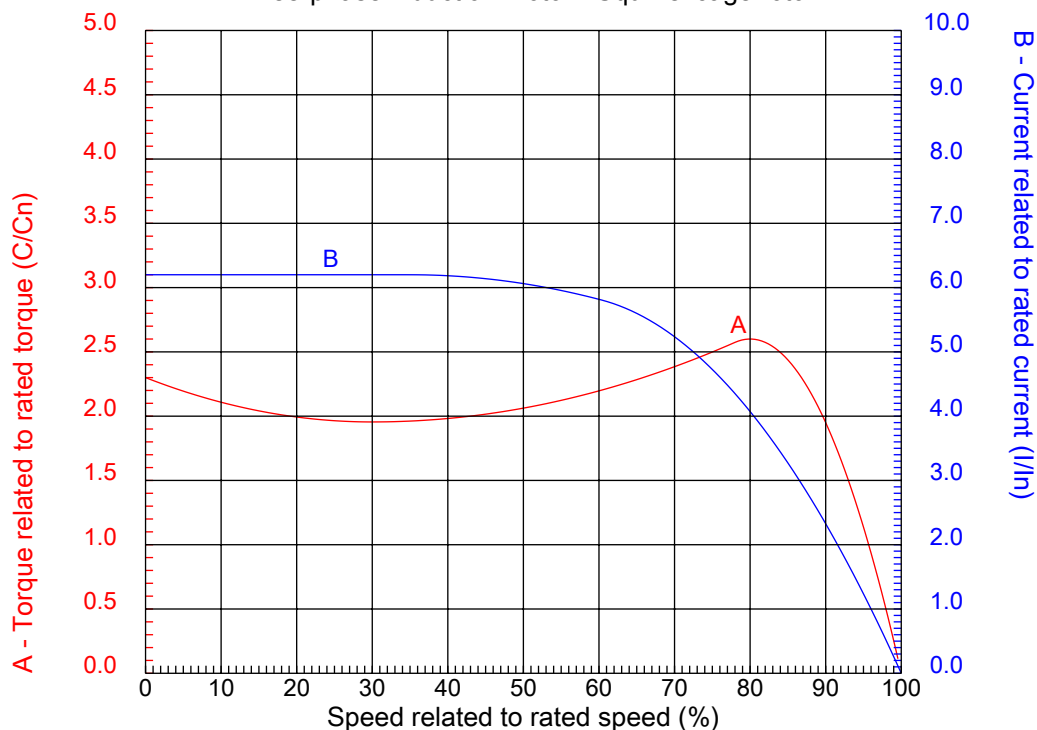


No.:

Date: 27-DEC-2012

### CHARACTERISTIC CURVES RELATED TO SPEED

Three-phase induction motor - Squirrel cage rotor



Customer :  
Product line : Close Coupled Pump: Three-Phase - W22 "JP" Type - TEFC - NEMA Premium

Frame	: 326JP	Locked rotor current (I <sub>l</sub> /I <sub>n</sub> )	: 6.2
Output	: 30 HP	Duty cycle	: S1
Frequency	: 60 Hz	Service factor	: 1.25
Full load speed	: 1180	Design	: B
Voltage	: 208-230/460 V	Locked rotor torque	: 230 %
Rated current	: 79.2-71.6/35.8 A	Breakdown torque	: 260 %
Insulation class	: F		

Notes:

Performed by

Checked

1 2 3 4 5 6 7 8

A

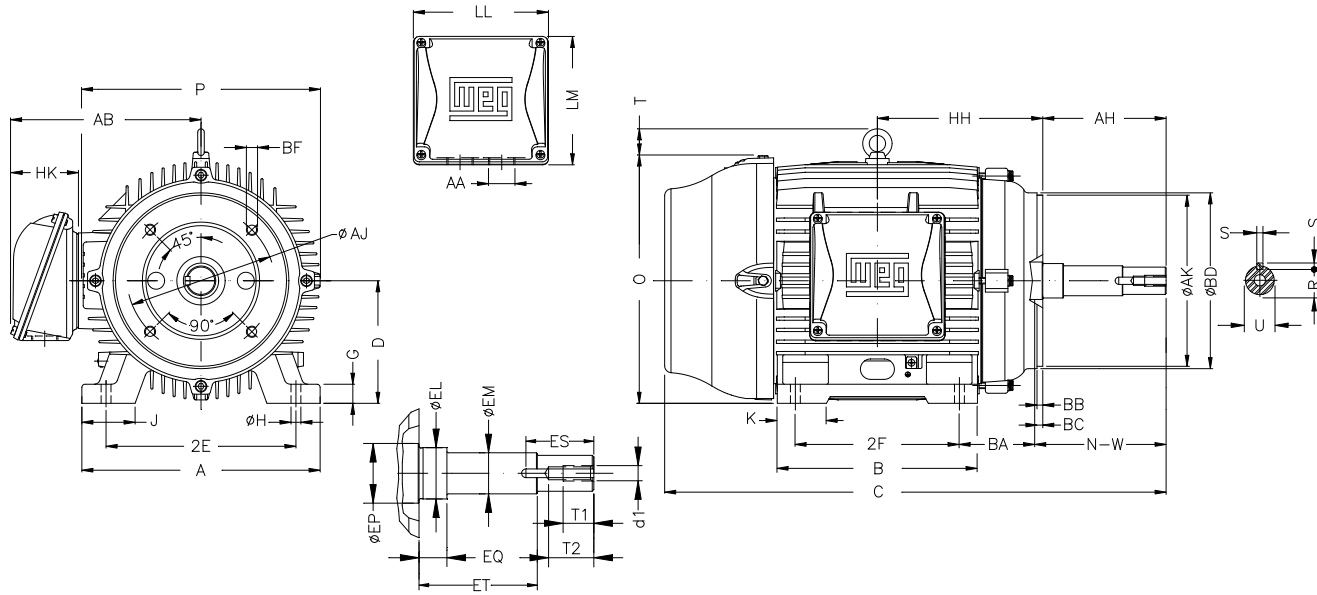
B

C

D

E

F



Notes:

Performed by:

Checked:

Customer:

Close Coupled Pump: Three-Phase - W22 "JP" Type - TEFC - NEMA Premium

Three-phase induction motor  
Frame 326JP - IP55

27-DEC-2012



2E 12.500	J 3.189	A 15.157	P 15.827	AB 12.480
2F 12.000	K 3.189	B 14.567	BA 5.250	D 8.000
G 1.300	O 15.953	T 2.441	HD 18.394	H 0.657
AA NPT 2"	ER 8.130	EQ 2.382	ET 5.886	U 1.249
EM 1.375	EL 1.750	EP 2.360	ES 2.480	t1 0.984
t2 1.496	C 34.021	Flange FC-279	AJ 11.000	AK 12.500
BD 13.593	BF UNC 5/8"x11	BB 0.248	BC ---	AH 8.130