



No.:

Date: 27-DEC-2012

Customer :

TECHNICAL PROPOSAL

Three-phase induction motor - Squirrel cage rotor

Product line : Three-Phase: W22 IEEE-841™ Petrochem Motors - NEMA Premium® Efficiency

Catalog Number : 03012ST3QIE326T-W22

List Price : \$5,359

Notes:

Performed by:

Checked:



No.:

Date: 27-DEC-2012

## DATA SHEET

### Three-phase induction motor - Squirrel cage rotor

Customer :  
Product line : Three-Phase: W22 IEEE-841™ Petrochem Motors - NEMA Premium® Efficiency

Frame : 326T  
Output : 30 HP  
Frequency : 60 Hz  
Poles : 6  
Full load speed : 1180  
Slip : 1.67 %  
Voltage : 460 V  
Rated current : 35.8 A  
Locked rotor current : 222 A  
Locked rotor current (I<sub>L</sub>/I<sub>n</sub>) : 6.2  
No-load current : 16.0 A  
Full load torque : 132 lb.ft  
Locked rotor torque : 230 %  
Breakdown torque : 260 %  
Design : B  
Insulation class : F  
Temperature rise : 80 K  
Locked rotor time : 21 s (hot)  
Service factor : 1.25  
Duty cycle : S1  
Ambient temperature : -20°C - +40°C  
Altitude : 1000  
Degree of Protection : IP55  
Approximate weight : 553 lb  
Moment of inertia : 13.196 sq.ft.lb  
Noise level : 62 dB(A)

|                     | D.E.    | N.D.E.  | Load | Power factor | Efficiency (%) |
|---------------------|---------|---------|------|--------------|----------------|
| Bearings            | 6312 C3 | 6212 C3 | 100% | 0.83         | 93.0           |
| Regreasing interval | 20000 h | 20000 h | 75%  | 0.77         | 93.0           |
| Grease amount       | 21 g    | 13 g    | 50%  | 0.65         | 91.7           |

Notes:

Performed by

Checked

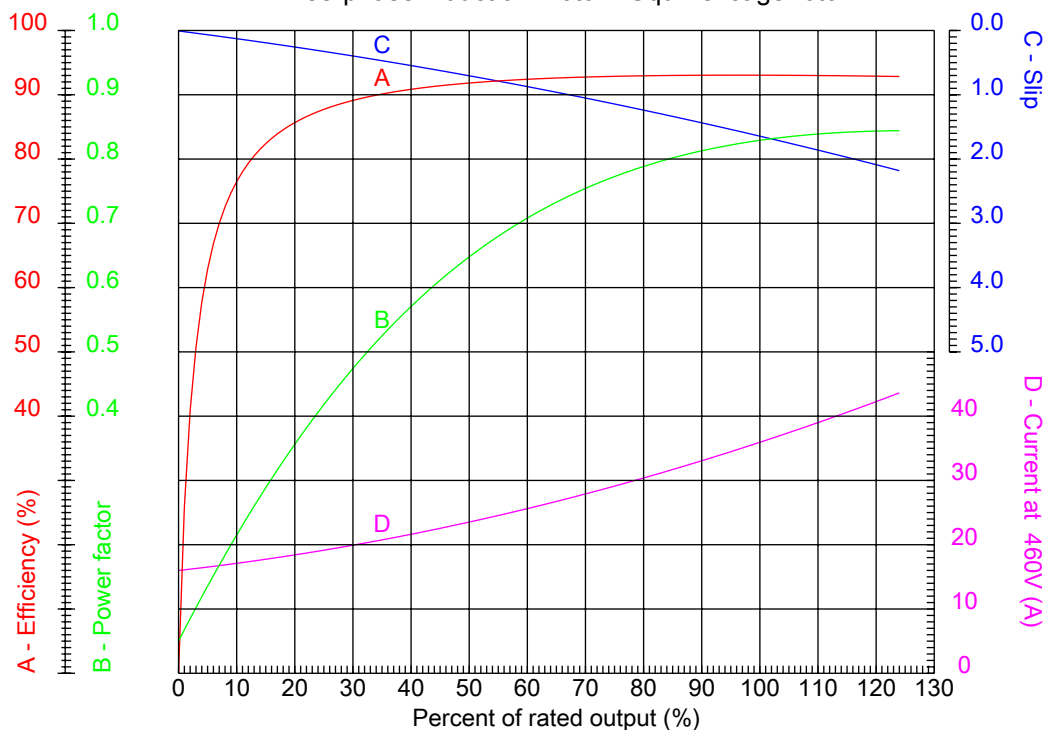


No.:

Date: 27-DEC-2012

### PERFORMANCE CURVES RELATED TO RATED OUTPUT

Three-phase induction motor - Squirrel cage rotor



Customer :  
Product line : Three-Phase: W22 IEEE-841™ Petrochem Motors - NEMA Premium® Efficiency

|                        |  |
|------------------------|--|
| Frame : 326T           | Locked rotor current (I <sub>l</sub> /I <sub>n</sub> ) : 6.2 |
| Output : 30 HP         | Duty cycle : S1  |
| Frequency : 60 Hz      | Service factor : 1.25  |
| Full load speed : 1180 | Design : B   |
| Voltage : 460 V        | Locked rotor torque : 230 %                                  |
| Rated current : 35.8 A | Breakdown torque : 260 %                                     |
| Insulation class : F   |  |

Notes:

Performed by

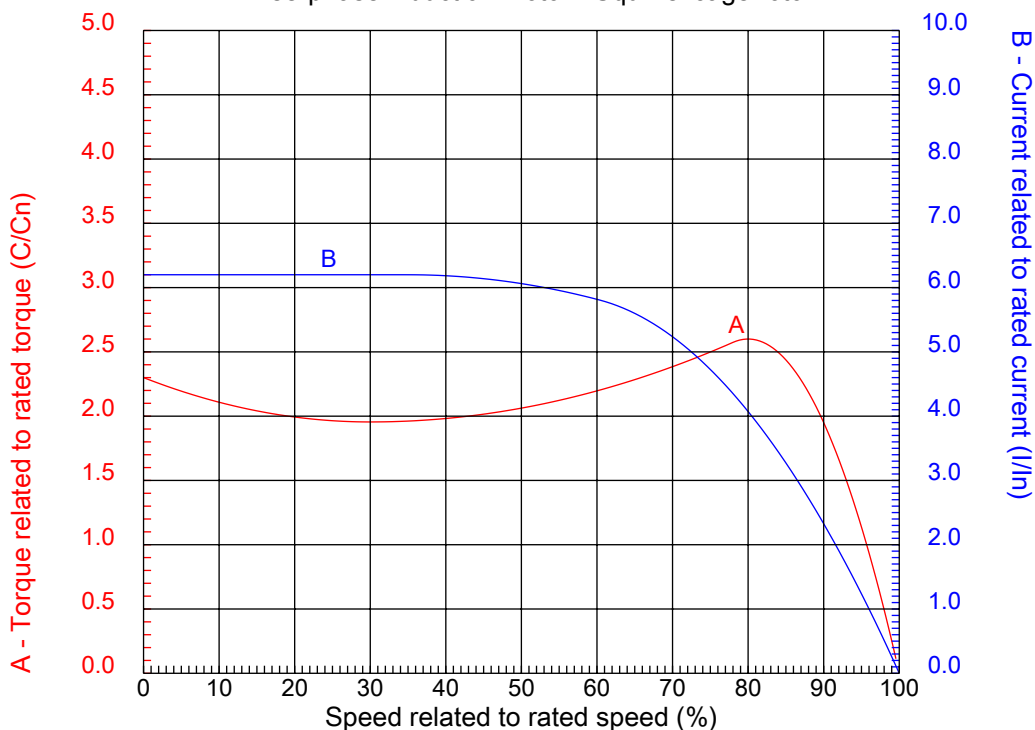
Checked



No.:

Date: 27-DEC-2012

### CHARACTERISTIC CURVES RELATED TO SPEED Three-phase induction motor - Squirrel cage rotor



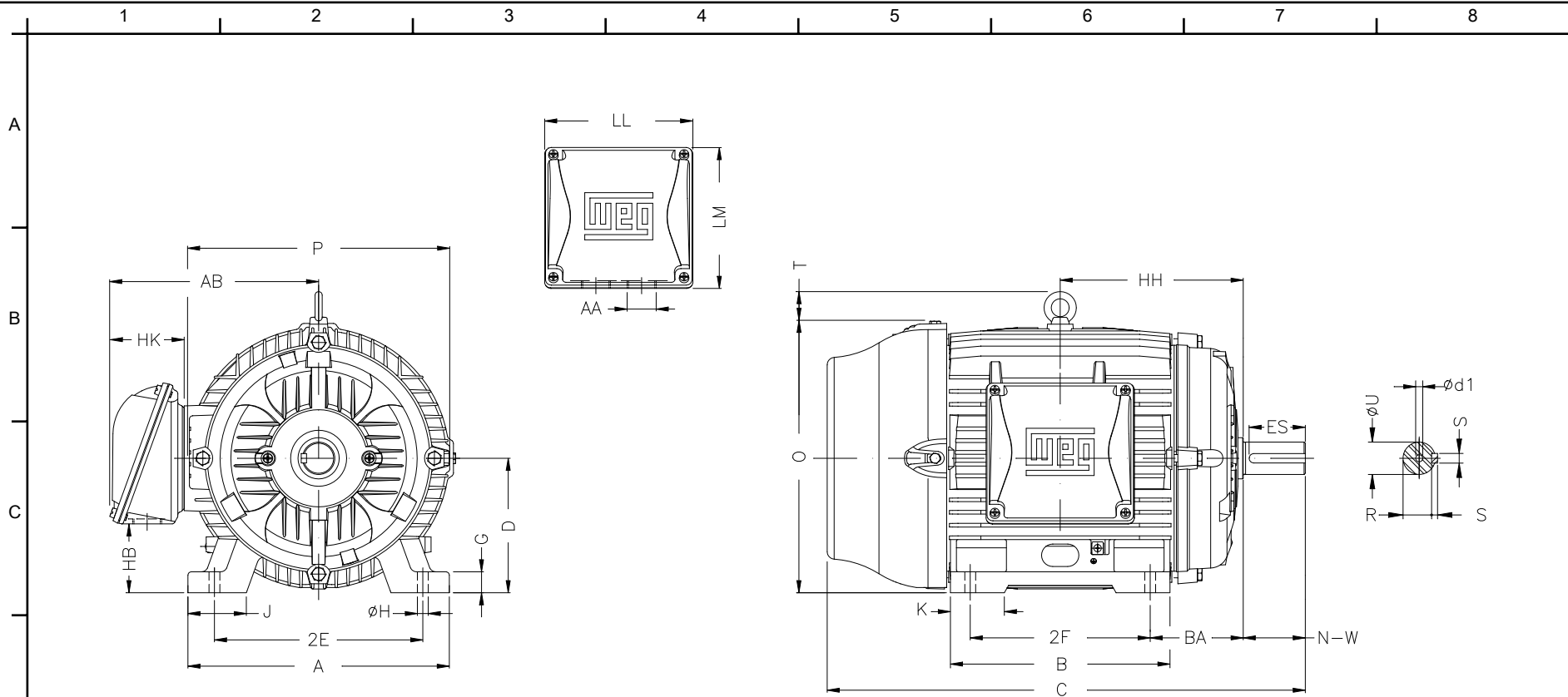
Customer :  
Product line : Three-Phase: W22 IEEE-841™ Petrochem Motors - NEMA Premium® Efficiency

|                  |          |  |         |
|------------------|----------|--|---------|
| Frame            | : 326T   | Locked rotor current (I <sub>l</sub> /I <sub>n</sub> ) | : 6.2   |
| Output           | : 30 HP  | Duty cycle   | : S1    |
| Frequency        | : 60 Hz  | Service factor   | : 1.25  |
| Full load speed  | : 1180   | Design   | : B     |
| Voltage          | : 460 V  | Locked rotor torque                                    | : 230 % |
| Rated current    | : 35.8 A | Breakdown torque                                       | : 260 % |
| Insulation class | : F      |  |         |

Notes:

Performed by

Checked



|   |              |                  |              |              |                |
|---|--------------|------------------|--------------|--------------|----------------|
| E | 2E<br>12.500 | J<br>3.189       | A<br>15.157  | P<br>15.827  | AB<br>12.480   |
|   | 2F<br>12.000 | K<br>3.189       | B<br>14.567  | BA<br>5.250  | U<br>2.125     |
|   | N-W<br>5.250 | ES<br>3.937      | S<br>0.500   | R<br>1.844   | depth<br>0.500 |
|   | D<br>8.000   | G<br>1.300       | HB<br>4.811  | O<br>15.953  | T<br>2.441     |
|   | HD<br>18.394 | HF<br>8.708      | HH<br>11.250 | HK<br>4.645  | H<br>0.657     |
| F | C<br>31.116  | LL<br>8.976      | LM<br>8.543  | AA<br>NPT 2" | d1<br>A 4      |
|   | d2<br>A 4    | Flange<br>FD-406 | AJ<br>16.000 | AK<br>14.000 | BD<br>18.00    |
|   | BF<br>0.828  | BB<br>0.203      |              |              |                |

Notes:

Performed by:

Checked:

Customer:

Three-Phase: W22 IEEE-841™ Petrochem Motors - NEMA Premium® Efficiency

Three-phase induction motor  
Frame 326T - IP55

27-DEC-2012

