



No.:

Date: 27-DEC-2012

Customer :

TECHNICAL PROPOSAL

Three-phase induction motor - Squirrel cage rotor

Product line : Close Coupled Pump : Three-Phase - "JM" Type - ODP - NEMA Premium

Catalog Number : 03018OT3E286JM

List Price : \$3,368

Notes:

Performed by:

Checked:



No.:

Date: 27-DEC-2012

## DATA SHEET

### Three-phase induction motor - Squirrel cage rotor

Customer :  
 Product line : Close Coupled Pump : Three-Phase - "JM" Type - ODP - NEMA Premium

Frame : 286JM  
 Output : 30 HP  
 Frequency : 60 Hz  
 Poles : 4  
 Full load speed : 1770  
 Slip : 1.67 %  
 Voltage : 208-230/460 V  
 Rated current : 78.3-70.8/35.4 A  
 Locked rotor current : 474/237 A  
 Locked rotor current (I<sub>L</sub>/I<sub>n</sub>) : 6.7  
 No-load current : 30.0/15.0 A  
 Full load torque : 87.8 lb.ft  
 Locked rotor torque : 260 %  
 Breakdown torque : 280 %  
 Design : B  
 Insulation class : F  
 Temperature rise : 80 K  
 Locked rotor time : 14 s (hot)  
 Service factor : 1.15  
 Duty cycle : S1  
 Ambient temperature : -20°C - +40°C  
 Altitude : 1000  
 Degree of Protection : IP23  
 Approximate weight : 419 lb  
 Moment of inertia : 4.8955 sq.ft.lb  
 Noise level : 63 dB(A)

	D.E.	N.D.E.	Load	Power factor	Efficiency (%)
Bearings	6311 Z-C3	6211 Z-C3	100%	0.83	94.1
Regreasing interval	20000 h	20000 h	75%	0.80	94.1
Grease amount	18 g	11 g	50%	0.70	93.6

Notes:

Performed by

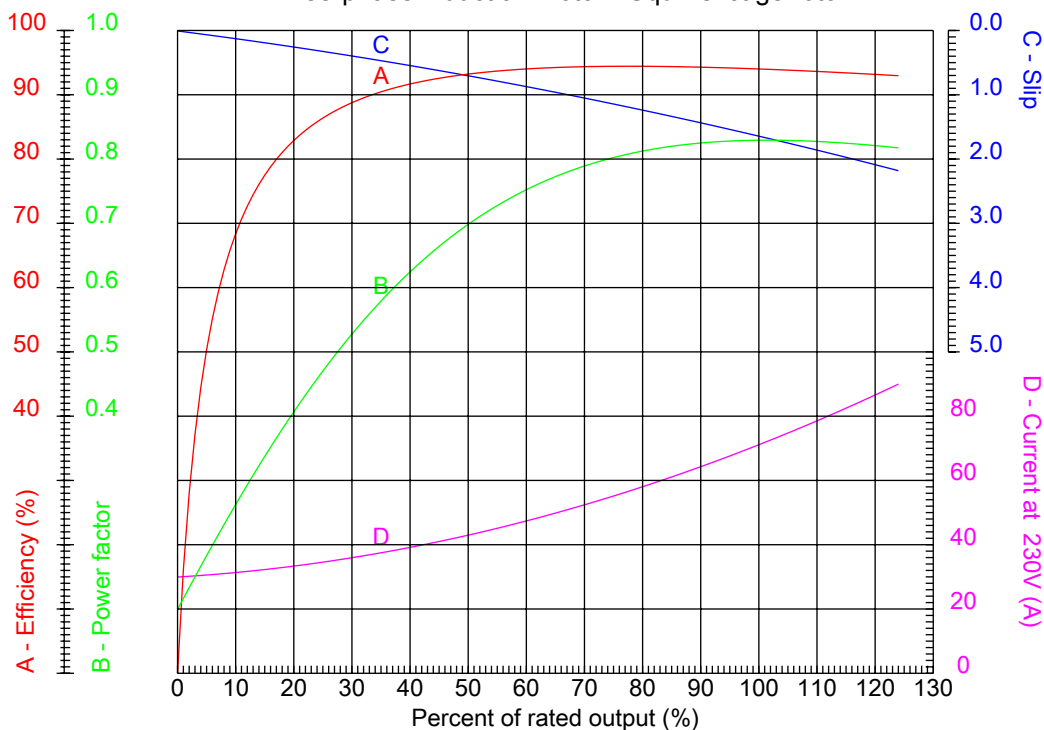
Checked



No.:

Date: 27-DEC-2012

PERFORMANCE CURVES RELATED TO RATED OUTPUT  
Three-phase induction motor - Squirrel cage rotor



Customer :  
Product line : Close Coupled Pump : Three-Phase - "JM" Type - ODP - NEMA Premium

Frame	: 286JM	Locked rotor current (I <sub>l</sub> /I <sub>n</sub> )	: 6.7
Output	: 30 HP	Duty cycle	: S1
Frequency	: 60 Hz	Service factor	: 1.15
Full load speed	: 1770	Design	: B
Voltage	: 208-230/460 V	Locked rotor torque	: 260 %
Rated current	: 78.3-70.8/35.4 A	Breakdown torque	: 280 %
Insulation class	: F		

Notes:

Performed by

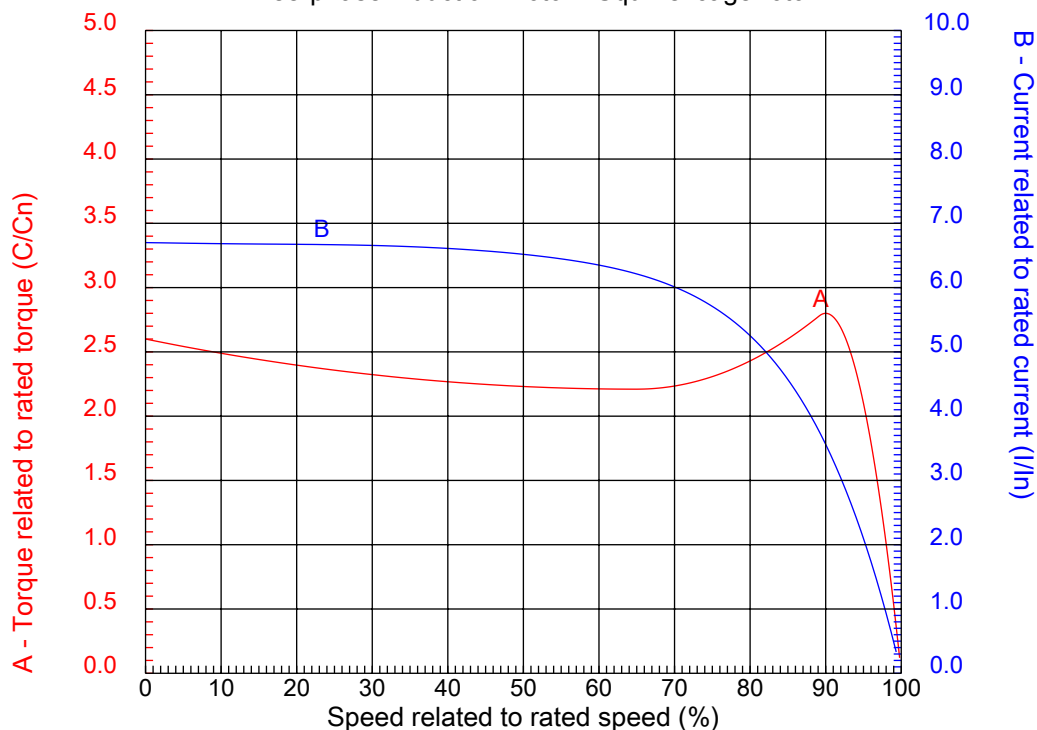
Checked



No.:

Date: 27-DEC-2012

### CHARACTERISTIC CURVES RELATED TO SPEED Three-phase induction motor - Squirrel cage rotor



Customer :  
Product line : Close Coupled Pump : Three-Phase - "JM" Type - ODP - NEMA Premium

Frame	: 286JM	Locked rotor current (I <sub>l</sub> /I <sub>n</sub> )	: 6.7
Output	: 30 HP	Duty cycle	: S1
Frequency	: 60 Hz	Service factor	: 1.15
Full load speed	: 1770	Design	: B
Voltage	: 208-230/460 V	Locked rotor torque	: 260 %
Rated current	: 78.3-70.8/35.4 A	Breakdown torque	: 280 %
Insulation class	: F		

Notes:

Performed by

Checked

1 2 3 4 5 6 7 8

A

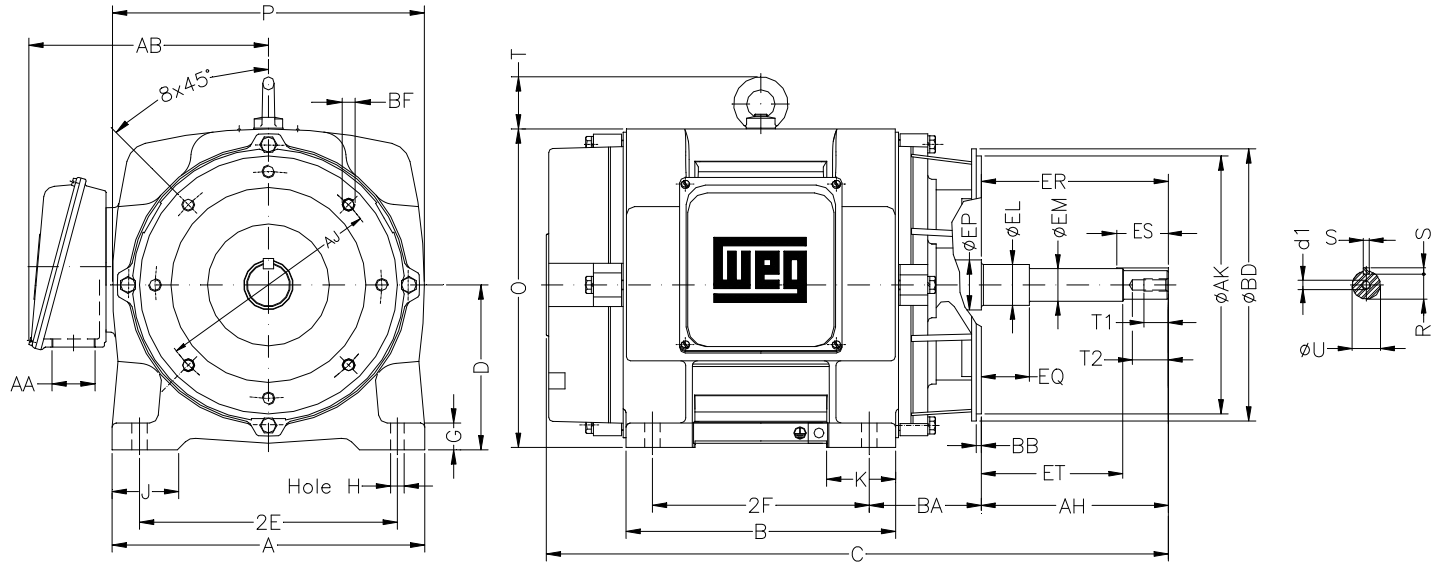
B

C

D

E

F



Notes:

2E	A	2F	B	J
11.000	13.780	11.000	13.070	3.150
BA	D	K	G	O
5.000	7.000	2.953	1.102	13.858
P	T	HD	H	AA
13.700	2.165	16.023	0.531	NPT 1 1/2"
ER	EQ	ET	U	EM
5.250	0.630	3.006	1.249	1.375
EL	S	EP	R	ES
1.750	0.250	2.163	1.110	2.559
d1	t1	t2	C	Flange
EUNC 1/2"-13	0.984	1.496	25.754	FC-279
AJ	AK	BD	BF	BB
11.000	12.500	14.000	UNC 5/8"x11	0.250
BC	AH			
	5.250			

Performed by:

Checked:

Customer:

Close Coupled Pump : Three-Phase - "JM" Type - ODP - NEMA Premium

Three-phase induction motor  
Frame 286JM - IP23

27-DEC-2012

